

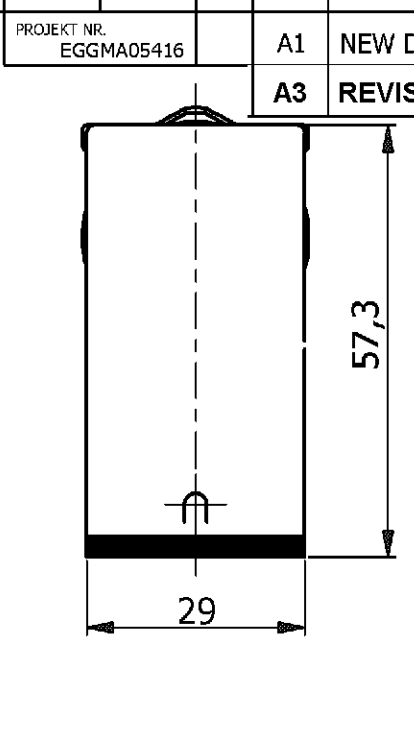
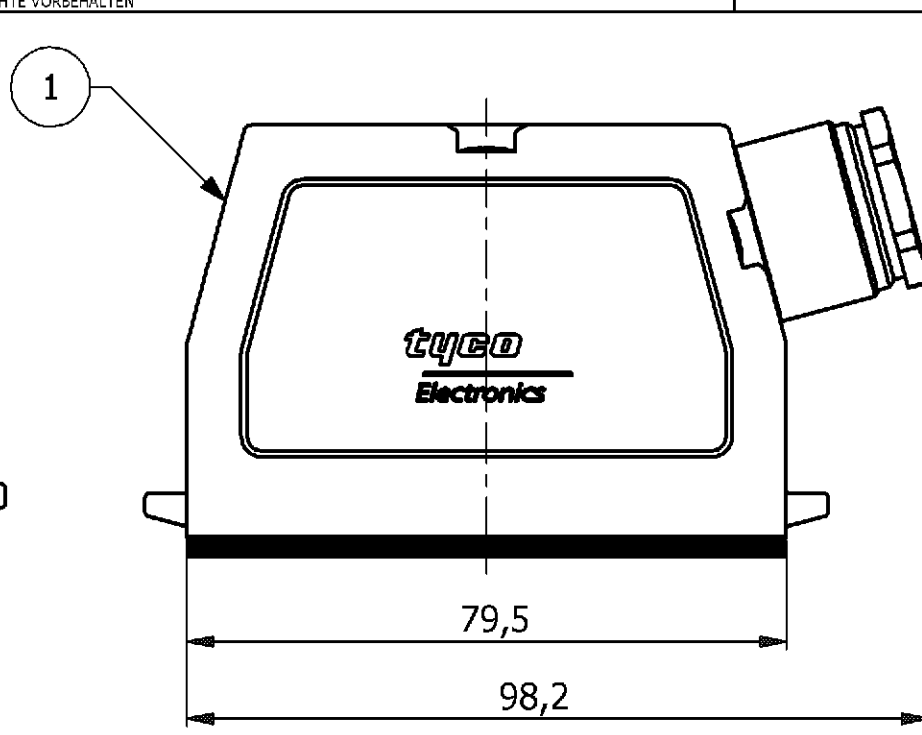
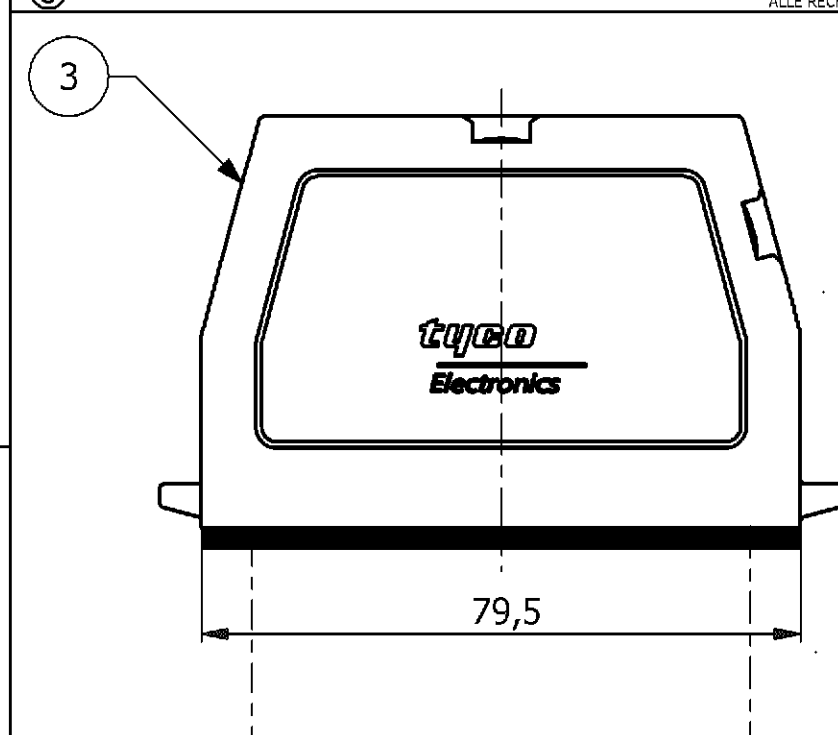
THIS DRAWING IS UNPUBLISHED
VERTRAULICHE UNVERÖFFENTLICHE ZEICHNUNG

RELEASE FOR PUBLIKATION
FREI FUER VERÖFFENTLICHUNG
ALL RIGHTS RESERVED
ALLE RECHTE VORBEHALTEN

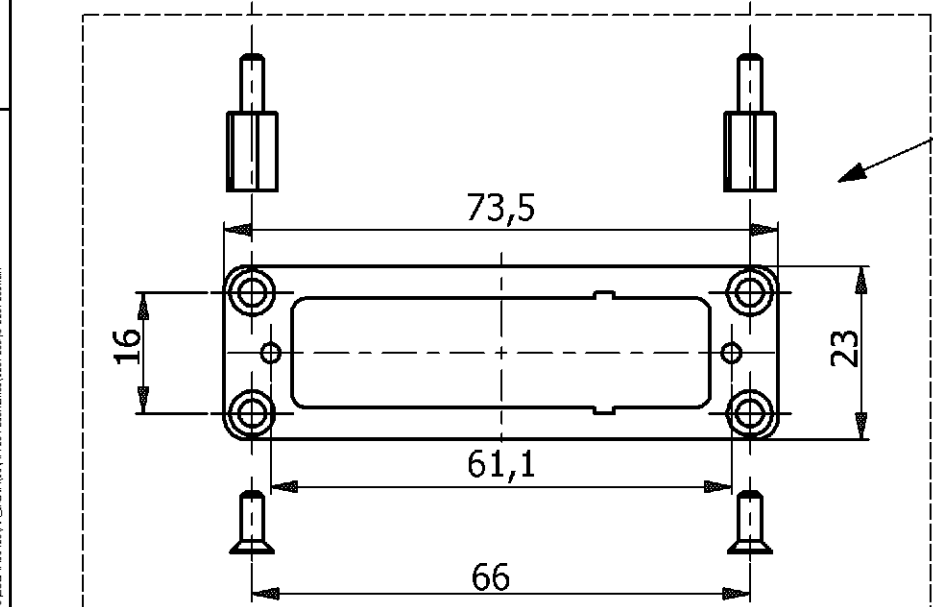
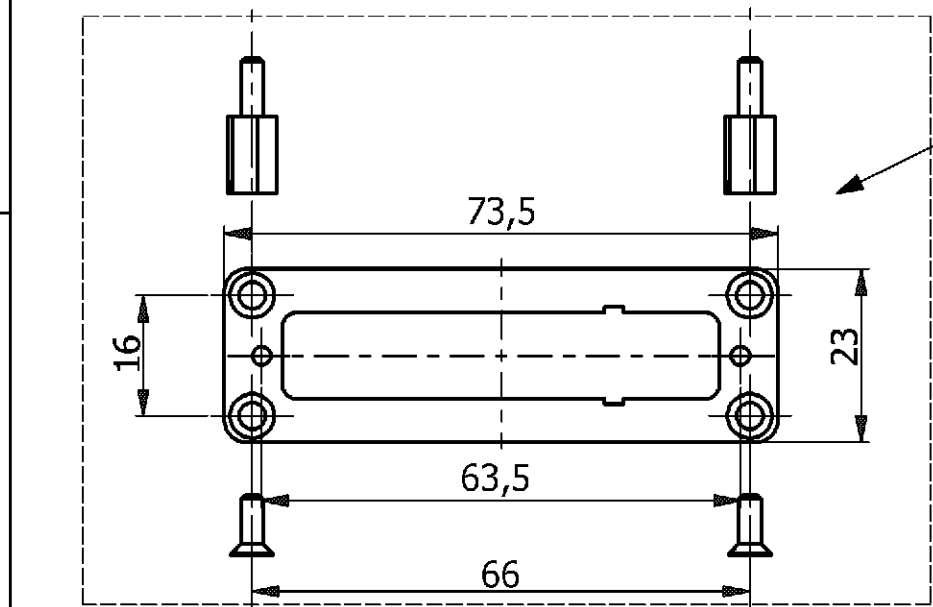
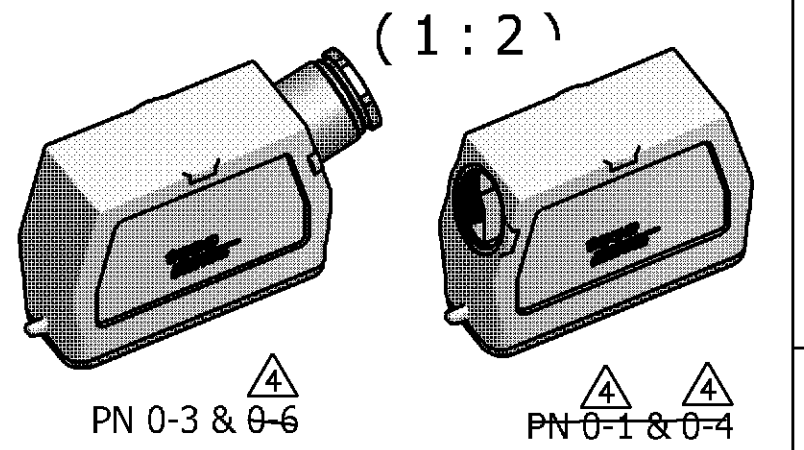
MATED WITH:
PASSEND ZU:
HA.16

LOC AI
DIST -

REVISIONS ÄNDERUNGEN			DATE	DWN	APVD
P	LTR	DESCRIPTION BESCHREIBUNG			
	A1	NEW DRAWN	2/28/2006	PB	ST
	A3	REVISED PER ECO-09-026495	28NOV09	KK	AEG



- NOTES**
- 1 PACKAGING QUANTITY: 5 PIECES PER BOX
 - 2 MATERIAL: HOUSING: ALUMINIUM DIECASTING ALLOY
 - 3 FINISH: POWDER COATED OR CORROSION PROTECTION
 - 4 OBSOLETE PARTS: OBSOLETE CIS STREAMLINING PER D.RENAUD/D.SINISI



QTY	DESCRIPTION	MATERIAL	SURFACE	COLOR	ITEM NO.	REMARKS
1	Set-Mounting Plate SM 1x50	-	Nickel Plated	-	5	Set in Polybeutel Pack
-	Set-Mounting Plate SM 1x37	-	Nickel Plated	-	4	Set in Polybeutel Pack
1	HOOD HA.16.STS.1.16.G	Aluminium	-	Grey	3	-
-	HOOD HA.16.STS.1.16.Z	Aluminium	-	Grey	2	-
-	HOOD HA.16.STS.1.16	Aluminium	-	Grey	1	-

ORDERING TEXT

HA.16.SM-ST.S.1.16 AM 1x37
 HA.16.SM-ST.S.1.16.Z/ AM 1x37
 HA.16.SM-ST.S.1.16.G/ AM 1x37
 HA.16.SM-ST.S.1.16.AM 1x50
 HA.16.SM-ST.S.1.16.Z/ AM 1x50
 HA.16.SM-ST.S.1.16.G/ AM 1x50

DIMENSIONS:		TOLERANCES UNLESS OTHERWISE SPECIFIED:		DWN		TycO Electronics	
DIMENSIONEN:		ALLGEMEINTOLERANZEN		P.BENNUR		Tyco / Electronics AMP GmbH	
mm		mH-E		2/28/2006		D - 53819 Neunkirchen	
0 PLC	#	n. ISO 8015	-	CHK	R.SRINIVAS	2/28/2006	
1 PLC	#	n. ISO 2768	-	APVD	T.SCHNURPFEL	2/28/2006	
2 PLC	#	n. DIN 16901	140	PRODUCT SPEC.			
3 PLC	#			APPLICATION SPEC.			
ANGLES / WINKEL	#			VERARBEITUNGSSPEZ.			
MATERIAL		FINISH / OBERFLÄECHE / FARBE		WEIGHT			
				GEWICHT			