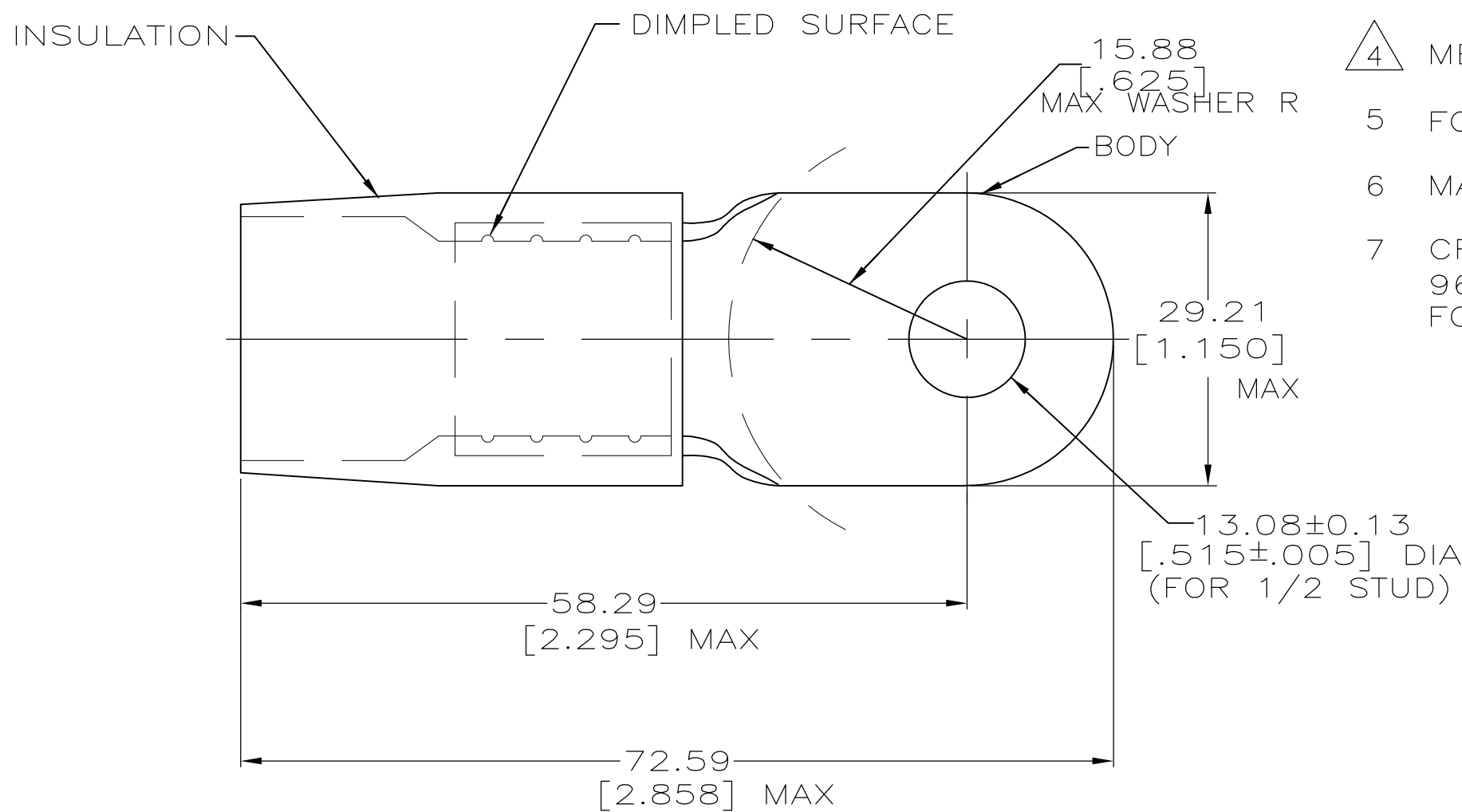


THIS DRAWING IS UNPUBLISHED. RELEASED FOR PUBLICATION
 © COPYRIGHT BY TYCO ELECTRONICS CORPORATION. ALL INTERNATIONAL RIGHTS RESERVED.

LOC	DIST	REVISIONS					
		P	LTR	DESCRIPTION	DATE	DWN	APVD
G	14		L1	REV PER ECR 09-026553	04DEC09	JR	TM

AMP WIRE RANGE
4/0 AWG STRANDED

1. TONGUE MATERIAL THK 2.59 ± 0.08
[.102 ± .003]
- 2 MATERIAL: BODY - COPPER PER ASTM B-152
INSULATION - NYLON
MIL-M-20693, TYPE 1
- 3 FINISH: BODY - TIN PLATE PER ASTM B-545
INSULATION - COLOR BLUE
- 4 MEETS MS25036-141, CLASS 2
- 5 FOR 19.43 [.765] MAX WIRE INS DIA
- 6 MAX OPERATING TEMP IS 105°C
- 7 CROSS SECTIONAL AREA RANGE IS
96.3-117mm² [190,000-231,000] CMA
FOR STRANDED WIRE.



-	LOOSE PC	4 324188
QTY	PACKAGE TYPE	PART NUMBER

THIS DRAWING IS A CONTROLLED DOCUMENT.		DWN SS GOULDEN 6/93	Tyco Electronics Corporation Harrisburg, PA 17105-3608			
DIMENSIONS: MM [INCHES]		CHK R HERSEY 6/93				
TOLERANCES UNLESS OTHERWISE SPECIFIED:		APVD JL MECKLEY 6/93	NAME TERMINAL, RING TONGUE, TERMINYL WIRE SIZE: 4/0			
0 PLC ± - 1 PLC ± - 2 PLC ± 0.20 [.008] 3 PLC ± - 4 PLC ± - ANGLES ± -		PRODUCT SPEC -	APPLICATION SPEC -			
MATERIAL	FINISH	WEIGHT	SIZE	CAGE CODE	DRAWING NO	RESTRICTED TO
- 2	- 3	-	A3	00779	G-324188	-
CUSTOMER DRAWING			SCALE	SHEET	REV	
			NTS	1 OF 1	L1	