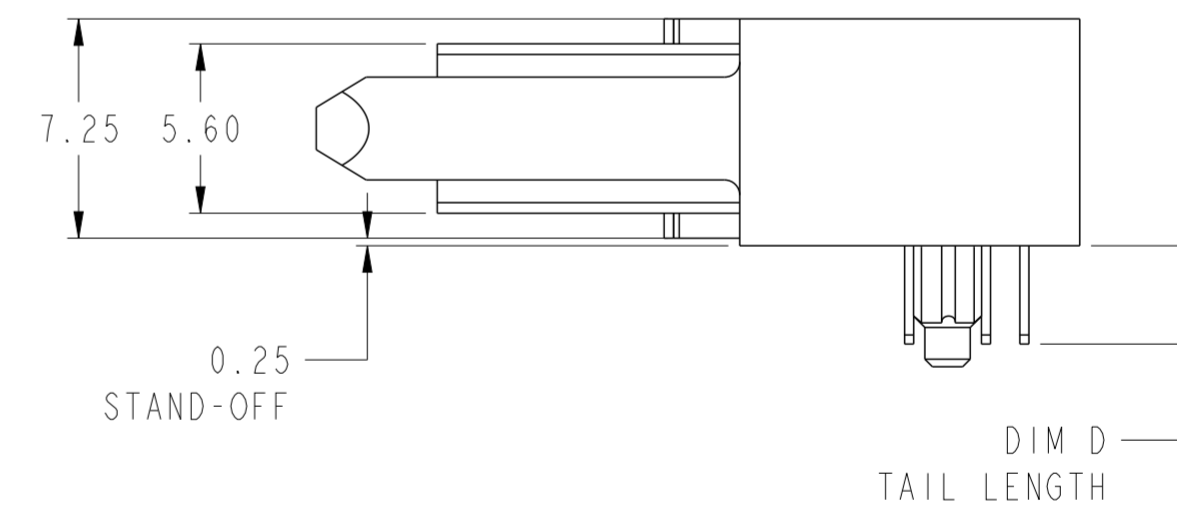
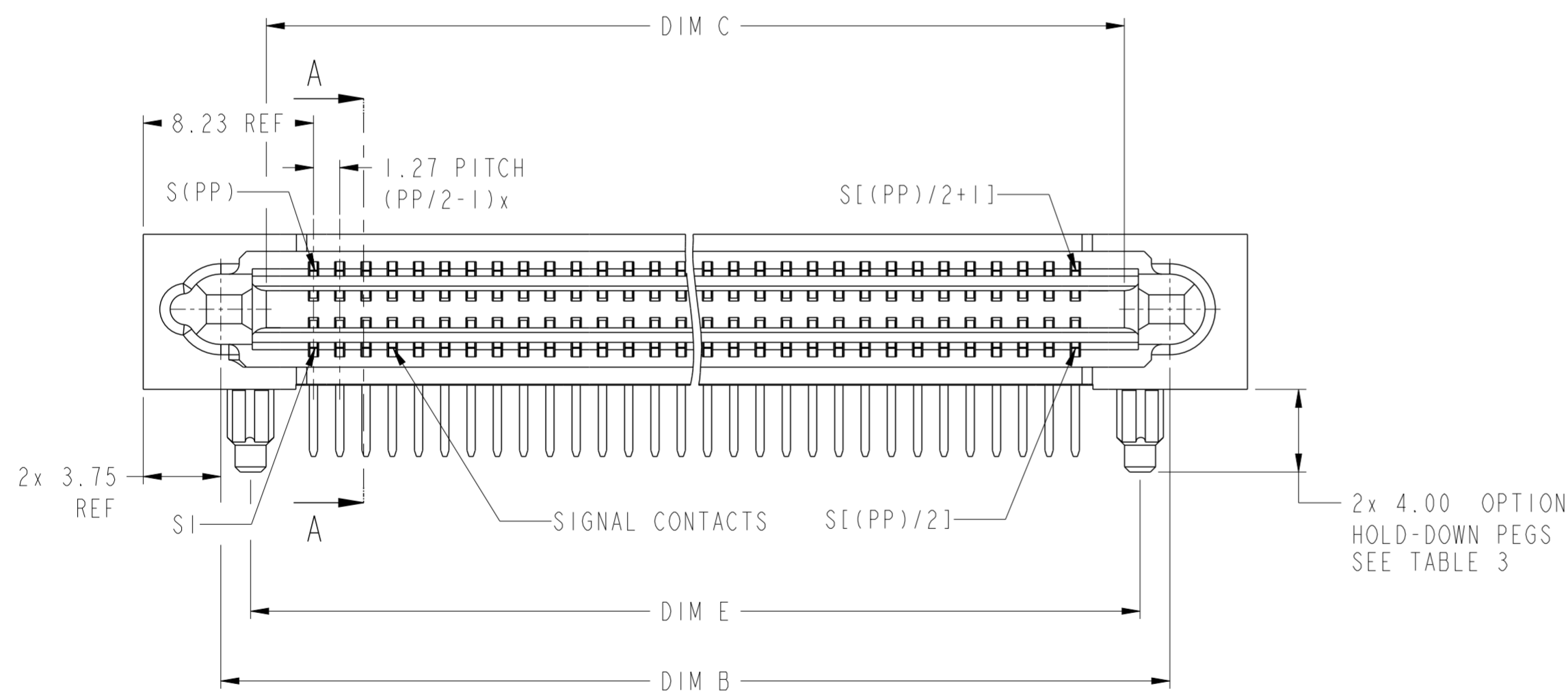
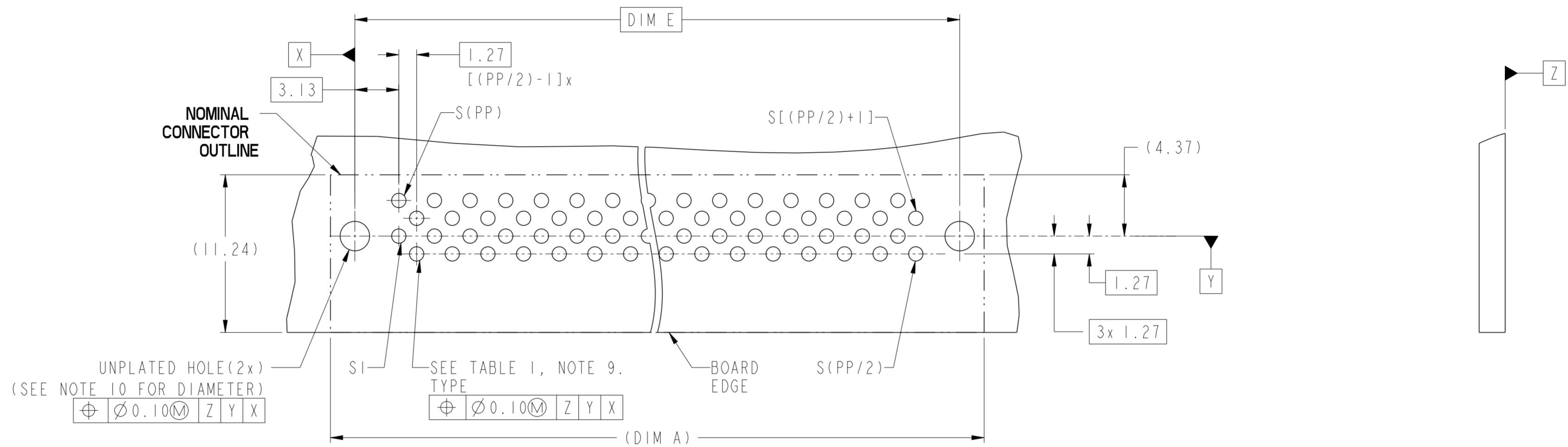


SECTION A-A



spec ref	-	dr	De-Ming Lu	2014/01/14	projection	MM	size	A2	scale	4:1
tolerance std	ISO 406 ISO 1101	eng	De-Ming Lu	2014/09/02			ecn no	-	rel level	Released
TOLERANCES UNLESS OTHERWISE SPECIFIED		chr	-	2014/09/02						
surface	ISO 1302	appr	Pei-Ming Zheng	2014/09/02	product family		dwg no	10128276	rev	A
	linear	0.X	±0.5				HPCE BTB R/A RECEPTACLE S CONFIG - UNIVERSAL		Product - Customer Drw sheet 1 of 3	
	angular	0°	±2°		www.fci.com		PDS: Rev :A		STATUS:Released	

CONTACT TYPE	TOP LAYER DESCRIPTION	TABLE 1 (HPCE / SOLDER TAILS) PLATED THROUGH-HOLE REQUIREMENTS				
		DRILLED HOLE DIAMETER	COPPER THICKNESS	TIN-LEAD THICKNESS	TIN THICKNESS	FINISHED HOLE DIAMETER
POWER & SIGNAL	TIN-LEAD	1.10-1.16 (1.15 DRILL)	0.025 - 0.050	0.005 - 0.015	--	0.94 - 1.10
	IMMERSION TIN	1.10-1.16 (1.15 DRILL)	0.025 - 0.050	--	0.9 - 1.5um	0.94 - 1.10
	COPPER (SEE NOTE 8)	1.10-1.16 (1.15 DRILL)	0.025 - 0.050	--	--	0.94 - 1.10



RECOMMENDED PCB LAYOUT

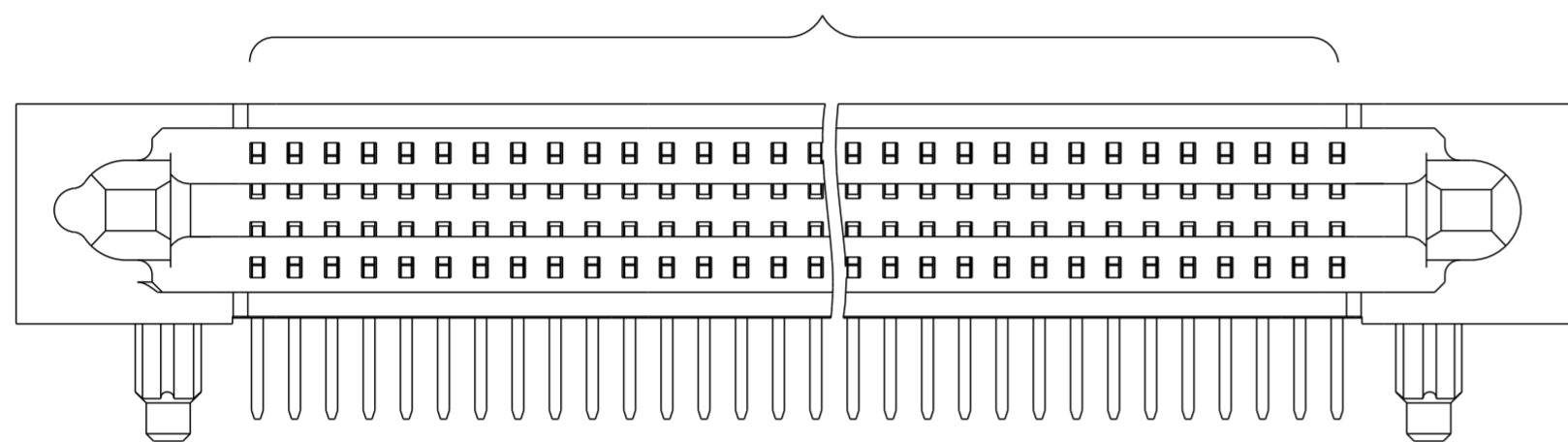
dr	De-Ming Lu	2014/01/14	projection	MM	size	A2	scale	4:1
eng	De-Ming Lu	2014/09/02			ecn no.	-	rel level	Released
chr	-	-						
appr	Pei-Ming Zheng	2014/09/02	product family					
			title	HPCE BTB R/A RECEPTACLE		dwg no.	10128276	
www.fci.com			cat. no.	S CONFIG - UNIVERSAL		rev	A	
Product - Customer Drw			sheet 2 of 3					

10128276 - 00 00 PP - LF

LEAD FREE

	A	B	C	D
TAIL LENGTH(DIM D)	2.60	3.25		
HOLD-DOWN PEGS OPTION	Y	N	Y	N

SIGNAL CONTACTS



Example: The configuration above is 10128276-0000PPCLF
STD HPCE BTB R/A REC with Hold-Down Pegs.

TABLE 3: PART NUMBER CODE. HPCE BTB R/A RECPT S UNIVERSAL CONFIG

NOTES:

1. CONNECTOR MATERIALS:
HOUSING: HIGH TEMPERATURE THERMAL PLASTIC, BLACK
UL 94V-0 COMPLIANT
CONTACTS: HIGH PERFORMANCE COPPER ALLOY.
2. CONTACT FINISH REF. GS-12-1125.
3. PRODUCT SPECIFICATION: GS-12-1125.
4. APPLICATION SPECIFICATION: GS-20-0388.
5. PRODUCT MARKING (FCI - PART NUMBER & DATE CODE) ON HOUSING IN AREA SHOWN.
6. PACKAGING MEETS FCI SPECIFICATION GS-14-2272.
7. HOUSING COMPONENT WILL WITHSTAND EXPOSURE TO 260°C PEAK TEMPERATURE FOR 60 SECONDS IN A CONVECTION, INFRA-RED, OR VAPOR PHASE REFLOW OVEN.
8. COPPER PLATING THICKNESS IN CENTER OF VIA-HOLE CAN BE NO MORE THAN 0.003 LESS THAN OTHER AREAS.
9. ALL HOLE SIZES ARE FINISHED HOLE SIZES.
10. MOUNTING HOLES ARE UNPLATED
Ø 2.18 +/- 0.03 FOR SOLDER TAILS
11. MAXIMUM OVERALL LENGTH IS 43.22mm.

DIM	TABLE 2. LENGTH FORMULAS
DIM A (11)	(PP / 2) x 1.27 + 15.28
DIM B	DIM A - 7.50
DIM C	DIM A - 11.90
DIM D	2.60 OR 3.25
DIM E	DIM A - 10.38

dr	De-Ming Lu	2014/01/14	projection	MM	size	A2	scale	4:1
eng	De-Ming Lu	2014/09/02			ecn no.	-	rel level	Released
chr	-	-						
appr	Pei-Ming Zheng	2014/09/02	product family		cat. no.	10128276	rev	A
www.fci.com			Product - Customer Drw		sheet 3 of 3			