

Controlmec TM is a five position integrated switch solution, designed for easy activations for indoor and non-dusty applications, to control a unit, navigate in a display, operate auxiliary equipment indoor on a vehicle, boat or similar. The Controlmec can also be supplied as an IP67 sealed solution. The Controlmec exist of:

- One complete solid cap
- The unit panel plate (customers design)
- The PCB including the switches

The PCB with the switches, shall be assembled according to the MEC datasheet, and mounted to the back side of the front panel.

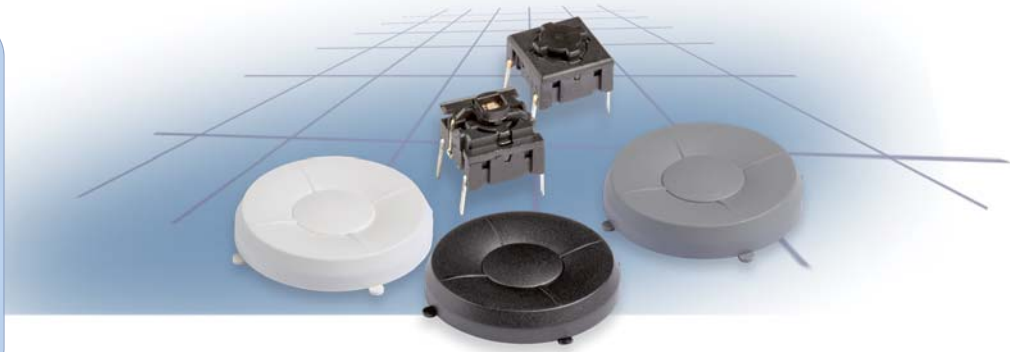
The Controlmec is an extension of the Navimec system which includes the Multimec switches, of excellent high quality and long lifetime. Configurations can be made with through hole or SMD switch versions, provided they are accurately positioned.



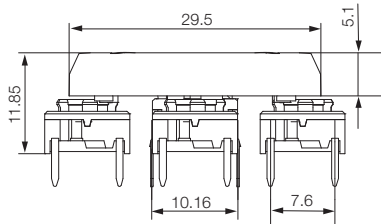
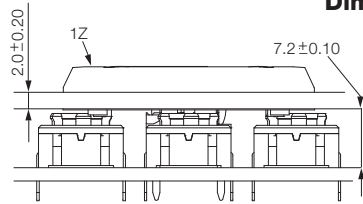
Distributor:

### Technical Data

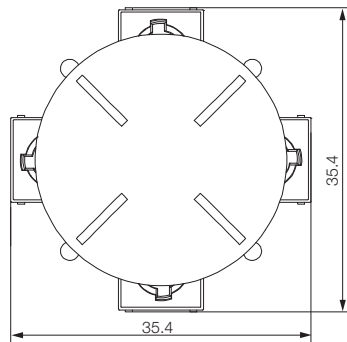
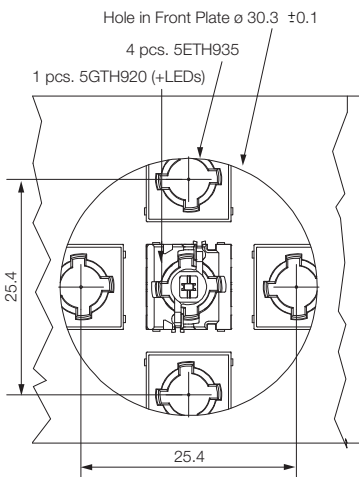
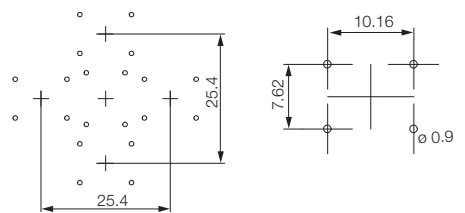
- through-hole or SMD
- 50mA/24VDC
- single pole/momentary
- 10.000.000 operations life time
- IP67 sealing
- temperature range:  
LED: -40/+85°C  
solid cap +65°C  
transparent +85°C
- actuation force: 2.0, 3.5, 6.5 N



### Dimensions 1Z



### Recommended PCB layout



### HOW TO ORDER

**5 G**

**Switch** **Mounting**  
**TH9** through-hole  
**SH9** surface mount

**Actuation force**  
**20**  
**35**  
**65**

**LED**  
**01** blue  
**22** green  
**42** yellow  
**61** white  
**82** red  
**2242** green/yellow  
**8222** red/green  
**8242** red/yellow

**Cap**  
**1Z**

**Colour code**  
**00** blue  
**02** green  
**03** grey  
**04** yellow  
**06** white  
**08** red  
**09** black  
**11** transparent  
**16** frosted white

**5 E**

**Switch** **Mounting**  
**TH9** through-hole  
**SH9** surface mount

**Actuation force**  
**20**  
**35**  
**65**

See colour codes on our website: [www.mec.dk](http://www.mec.dk)  
 Dimensions (mm) Unless otherwise specified, all tolerances ±0,2

**Ordering example (unsealed version) 1Z:** 1 x 5GTH920 + 4 x 5ETH935 + 1Z03