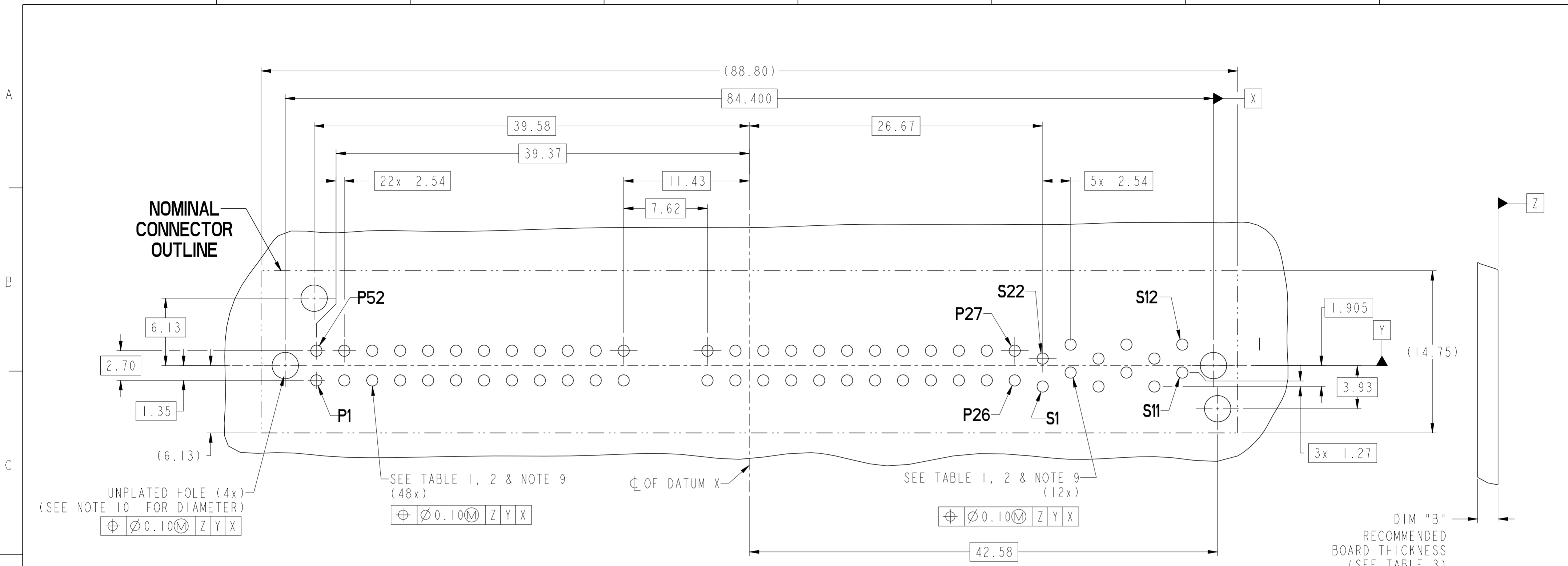


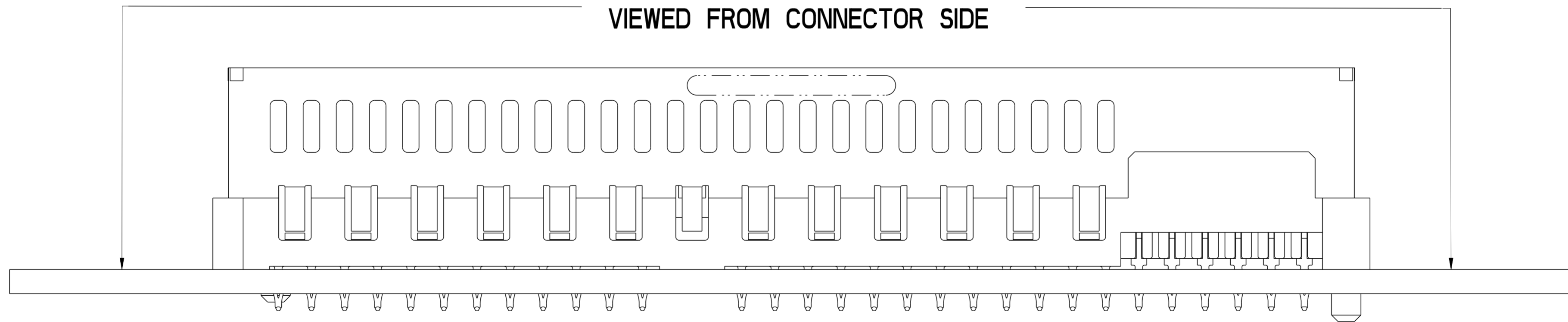
rev	ecn no	dr	date
A	-	JW	2012-09-13
-	-	-	-
-	-	-	-
-	-	-	-
-	-	-	-
-	-	-	-

spec ref	-	dr	Wei-Long Zhang	2012/09/15	projection	MM	size	A2	scale	4:1
tolerance std	ASME Y14.5	eng	Julia Wang	2013/03/07			ecn no	-	rel level	Released
TOLERANCES UNLESS OTHERWISE SPECIFIED		chr	Eleven Hu	2013/03/07						
surface	linear	0.X	±0.5		product family CARD EDGE	title VERT RECT ASM (52P-22S) HIGH POWER CARD EDGE	dwg no 10121959	rev A	Product - Customer Drw	sheet 1 of 4
	angular	0°	±2°							
ASME Y14.5		www.fci.com	cat. no.	-	STATUS: Released		Printed: Mar 08, 2013		PDS: Rev : A	

Copyright FCI. FCI



**RECOMMENDED PCB LAYOUT
VIEWED FROM CONNECTOR SIDE**



Copyright FCI.
FCI

dr	Wei-Long Zhang	2012/09/15	projection	MM	size	A2	scale	4:1		
eng	Julia Wang	2013/03/07			ecn no	-	rel level	Released		
chr	Eleven Hu	2013/03/07			product family	CARD EDGE				
appr	Pai-Ming Zheng	2013/03/07			title	VERT RECT ASM (52P-22S)		dwg no	10121959	
www.fci.com			cat. no.		Product - Customer Drw		sheet 2 of 4		rev	A

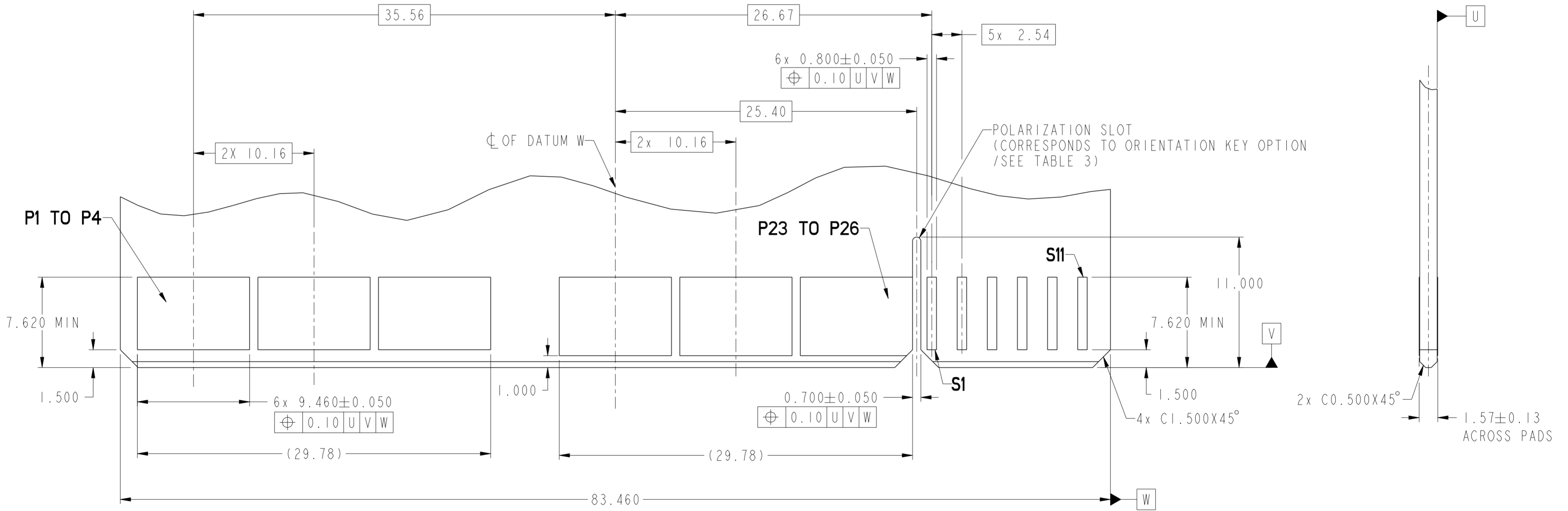
PDS: Rev :A

STATUS:Released

Printed: Mar 08, 2013

CONTACT TYPE	TOP LAYER DESCRIPTION	TABLE 1 (HPCE / SOLDER TAILS) PLATED THROUGH-HOLE REQUIREMENTS				
		DRILLED HOLE DIAMETER	COPPER THICKNESS	TIN-LEAD THICKNESS	TIN THICKNESS	FINISHED HOLE DIAMETER
POWER & SIGNAL	TIN-LEAD	1.10-1.16 (1.15 DRILL)	0.025 - 0.050	0.005 - 0.015	--	0.94 - 1.10
	IMMERSION TIN	1.10-1.16 (1.15 DRILL)	0.025 - 0.050	--	0.9 - 1.5um	0.94 - 1.10
	COPPER (SEE NOTE 8)	1.10-1.16 (1.15 DRILL)	0.025 - 0.050	--	--	0.94 - 1.10

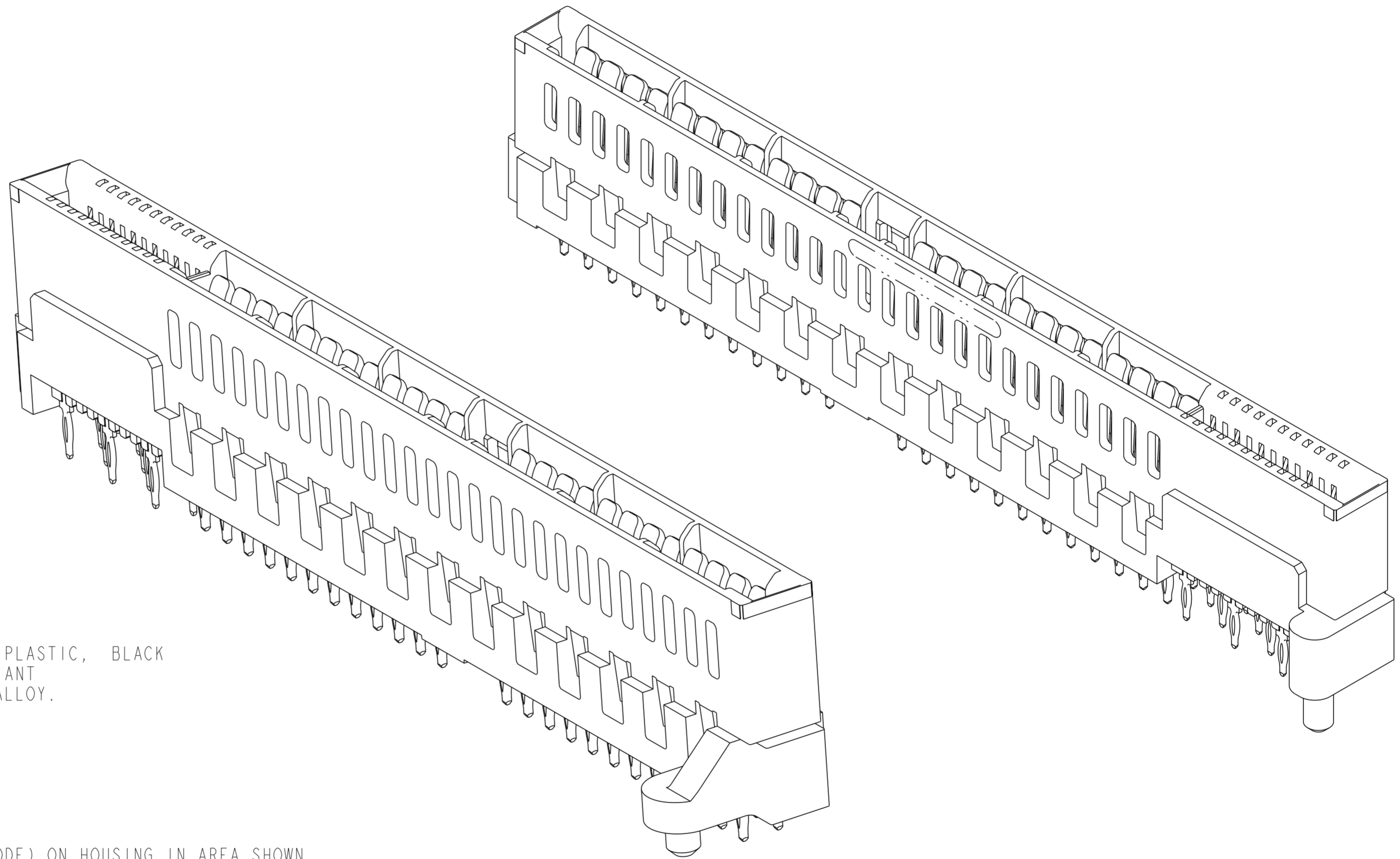
CONTACT TYPE	TOP LAYER DESCRIPTION	TABLE 2 (HPCE / PRESS-FIT TAILS) PLATED THROUGH-HOLE REQUIREMENTS				
		DRILLED HOLE DIAMETER	COPPER THICKNESS	TIN-LEAD THICKNESS	TIN THICKNESS	FINISHED HOLE DIAMETER
POWER & SIGNAL	TIN-LEAD	0.81-0.86 (0.85 DRILL)	0.025 - 0.050	0.005 - 0.015	--	0.65 - 0.80
	IMMERSION TIN	0.81-0.86 (0.85 DRILL)	0.025 - 0.050	--	0.9 - 1.5um	0.70 - 0.80
	COPPER (SEE NOTE 8)	0.81-0.86 (0.85 DRILL)	0.025 - 0.050	--	--	0.70 - 0.80



dr	Wei-Long Zhang	2012/09/15	projection	MM	size	A2	scale	4:1
eng	Julia Wang	2013/03/07			ecn no	-	rel level	Released
chr	Eleven Hu	2013/03/07						
appr	Pai-Ming Zheng	2013/03/07	product family	CARD EDGE	cat. no.	-	Product - Customer Drw	sheet 3 of 4
		VERT RECT ASM (52P-22S) HIGH POWER CARD EDGE			dwg no 10121959	rev A		

HPCE PART NUMBER (TABLE 3)

PART NUMBER	TAIL TYPE	ORIENTATION KEY	DIM "A" TYPICAL TAIL LENGTH	DIM "B" RECOMMENDED BOARD THICKNESS	REQUIRED FOR TAPPING SCREWS OPTION (RECOMMENDED)
10121959-001LF	PRESS-FIT	YES	3.17 ±0.25	1.59 - 2.38	M2
10121959-002LF		NO			



NOTES:

1. CONNECTOR MATERIALS:
 HOUSING: HIGH TEMPERATURE THERMAL PLASTIC, BLACK
 UL 94V-0 COMPLIANT
 CONTACTS: HIGH PERFORMANCE COPPER ALLOY.
2. CONTACT FINISH REF. GS-12-604 SECTION 5.2.
3. PRODUCT SPECIFICATION: GS-12-604.
4. APPLICATION SPECIFICATION: GS-20-128.
5. PRODUCT MARKING (FCI - PART NUMBER & DATE CODE) ON HOUSING IN AREA SHOWN.
6. PACKAGING MEETS FCI SPECIFICATION GS-14-937.
7. HOUSING COMPONENT WILL WITHSTAND EXPOSURE TO 260°C PEAK TEMPERATURE FOR 60 SECONDS IN A CONVECTION, INFRA-RED, OR VAPOR PHASE REFLOW OVEN.
8. COPPER PLATING THICKNESS IN CENTER OF VIA-HOLE CAN BE NO MORE THAN 0.003 LESS THAN OTHER AREAS.
9. ALL HOLE SIZES ARE FINISHED HOLE SIZES.
10. MOUNTING HOLES ARE UNPLATED
 $\varnothing 2.40 \pm 0.10$ FOR PRESS-FIT

dr	Wei-Long Zhang	2012/09/15	projection	MM	size	A2	scale	4:1
eng	Julia Wang	2013/03/07			ecn no.	-	rel level	Released
chr	Eleven Hu	2013/03/07			product family	CARD EDGE		
appr	Pei-Ming Zheng	2013/03/07			title	VERT RECT ASM (52P-22S)		rev
www.fci.com			cat. no.	-	Product - Customer Drw	sheet 4 of 4	rel level	A