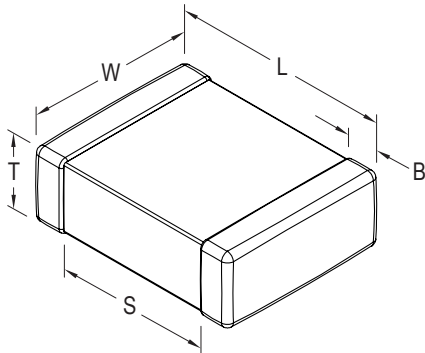


## Sample Kit Contents

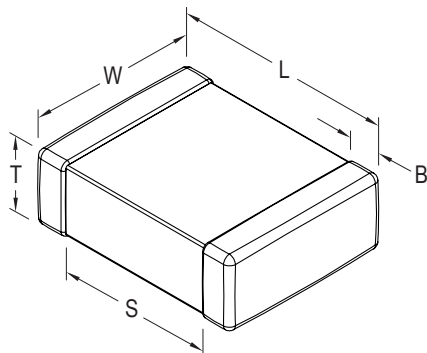
| KEMET Part Number | Case Size  | Capacitance | Cap Tolerance | Rated Voltage | T Thickness | Dielectric | Termination | Quantity |
|-------------------|------------|-------------|---------------|---------------|-------------|------------|-------------|----------|
|                   | EIA/Metric |             | %             | VDC           | mm          |            |             |          |
| C0805V332KDRACTU  | 0805/2012  | 3300 pF     | ±10           | 1000          | 1.25 ±0.15  | X7R        | Standard    | 50       |
| C0805W472KDRACTU  | 0805/2012  | 4700 pF     | ±10           | 1000          | 1.25 ±0.15  | X7R        | Flexible    | 50       |
| C0805W822KBRACTU  | 0805/2012  | 8200 pF     | ±10           | 630           | 1.25 ±0.15  | X7R        | Flexible    | 50       |
| C0805V123KCRACTU  | 0805/2012  | 12000 pF    | ±10           | 500           | 1.25 ±0.15  | X7R        | Standard    | 50       |
| C1206V223KDRACTU  | 1206/3216  | 22000 pF    | ±10           | 1000          | 1.70 ±0.20  | X7R        | Standard    | 50       |
| C1206V333KBRACTU  | 1206/3216  | 33000 pF    | ±10           | 630           | 1.70 ±0.20  | X7R        | Standard    | 50       |
| C1206W473KCRACTU  | 1206/3216  | 47000 pF    | ±10           | 500           | 1.70 ±0.20  | X7R        | Flexible    | 50       |
| C1206W683KCRACTU  | 1206/3216  | 68000 pF    | ±10           | 500           | 1.70 ±0.20  | X7R        | Flexible    | 50       |
| C1210V223KBRACTU  | 1210/3225  | 22000 pF    | ±10           | 630           | 1.25 ±0.15  | X7R        | Standard    | 50       |
| C1210V473KDRACTU  | 1210/3225  | 47000 pF    | ±10           | 1000          | 2.10 ±0.20  | X7R        | Standard    | 50       |
| C1210W563KDRACTU  | 1210/3225  | 56000 pF    | ±10           | 1000          | 2.10 ±0.20  | X7R        | Flexible    | 50       |
| C1210V823KBRACTU  | 1210/3225  | 82000 pF    | ±10           | 630           | 2.10 ±0.20  | X7R        | Standard    | 50       |
| C1210W104KCRACTU  | 1210/3225  | 0.10 µF     | ±10           | 500           | 2.10 ±0.20  | X7R        | Flexible    | 50       |
| C1210W154KCRACTU  | 1210/3225  | 0.15 µF     | ±10           | 500           | 2.10 ±0.20  | X7R        | Flexible    | 50       |
| C1808V223KDRACTU  | 1808/4520  | 22000 pF    | ±10           | 1000          | 1.00 ±0.10  | X7R        | Standard    | 50       |
| C1808W473KDRACTU  | 1808/4520  | 47000 pF    | ±10           | 1000          | 1.60 ±0.15  | X7R        | Flexible    | 50       |
| C1808W683KDRACTU  | 1808/4520  | 68000 pF    | ±10           | 1000          | 2.00 ±0.15  | X7R        | Flexible    | 50       |
| C1808V104KBRACTU  | 1808/4520  | 0.10 µF     | ±10           | 630           | 2.00 ±0.15  | X7R        | Standard    | 50       |
| C1808W154KCRACTU  | 1808/4520  | 0.15 µF     | ±10           | 500           | 1.60 ±0.15  | X7R        | Flexible    | 50       |
| C1812V333KDRACTU  | 1812/4532  | 33000 pF    | ±10           | 1000          | 1.00 ±0.10  | X7R        | Standard    | 25       |
| C1812W473KDRACTU  | 1812/4532  | 47000 pF    | ±10           | 1000          | 1.10 ±0.10  | X7R        | Flexible    | 25       |
| C1812V104KDRACTU  | 1812/4532  | 0.10 µF     | ±10           | 1000          | 1.70 ±0.15  | X7R        | Standard    | 25       |
| C1812V154KBRACTU  | 1812/4532  | 0.15 µF     | ±10           | 630           | 1.70 ±0.20  | X7R        | Standard    | 25       |
| C1812W334KCRACTU  | 1812/4532  | 0.33 µF     | ±10           | 500           | 2.10 ±0.20  | X7R        | Flexible    | 25       |

## Dimensions – Millimeters (Inches) – Standard Termination



| Case Size (in.) | Case Size (mm) | L Length                 | W Width                  | T Thickness     | B Bandwidth              | S Separation Minimum | Mounting Technique           |
|-----------------|----------------|--------------------------|--------------------------|-----------------|--------------------------|----------------------|------------------------------|
| 0805            | 2012           | 2.00 (.079) ±0.20 (.008) | 1.25 (.049) ±0.20 (.008) | See Table Above | 0.50 (0.02) ±0.25 (.010) | 0.75 (.030)          | Solder Wave or Solder Reflow |
| 1206            | 3216           | 3.20 (.126) ±0.20 (.008) | 1.60 (.063) ±0.20 (.008) |                 | 0.50 (0.02) ±0.25 (.010) | N/A                  |                              |
| 1210            | 3225           | 3.20 (.126) ±0.20 (.008) | 2.50 (.098) ±0.20 (.008) |                 | 0.50 (0.02) ±0.25 (.010) |                      |                              |
| 1808            | 4520           | 4.70 (.185) ±0.50 (.020) | 2.00 (.079) ±0.20 (.008) |                 | 0.60 (.024) ±0.35 (.014) |                      | Solder Reflow Only           |
| 1812            | 4532           | 4.50 (.177) ±0.30 (.012) | 3.20 (.126) ±0.30 (.012) |                 | 0.60 (.024) ±0.35 (.014) |                      |                              |

## Dimensions – Millimeters (Inches) – Flexible Termination



| Case Size (in.) | Case Size (mm) | L Length                 | W Width                  | T Thickness               | B Bandwidth              | S Separation Minimum | Mounting Technique           |
|-----------------|----------------|--------------------------|--------------------------|---------------------------|--------------------------|----------------------|------------------------------|
| 0805            | 2012           | 2.00 (.079) ±0.20 (.008) | 1.25 (.049) ±0.20 (.008) | See Table 2 for Thickness | 0.50 (0.02) ±0.25 (.010) | 0.75 (.030)          | Solder Wave or Solder Reflow |
| 1206            | 3216           | 3.30 (.130) ±0.40 (.016) | 1.60 (.063) ±0.20 (.008) |                           | 0.60 (.024) ±0.25 (.010) | N/A                  |                              |
| 1210            | 3225           | 3.30 (.130) ±0.40 (.016) | 2.50 (.098) ±0.20 (.008) |                           | 0.60 (.024) ±0.25 (.010) |                      | Solder Reflow Only           |
| 1808            | 4520           | 4.70 (.185) ±0.50 (.020) | 2.00 (.079) ±0.20 (.008) |                           | 0.70 (.028) ±0.35 (.014) |                      |                              |
| 1812            | 4532           | 4.50 (.178) ±0.40 (.016) | 3.20 (.126) ±0.30 (.012) |                           | 0.70 (.028) ±0.35 (.014) |                      |                              |