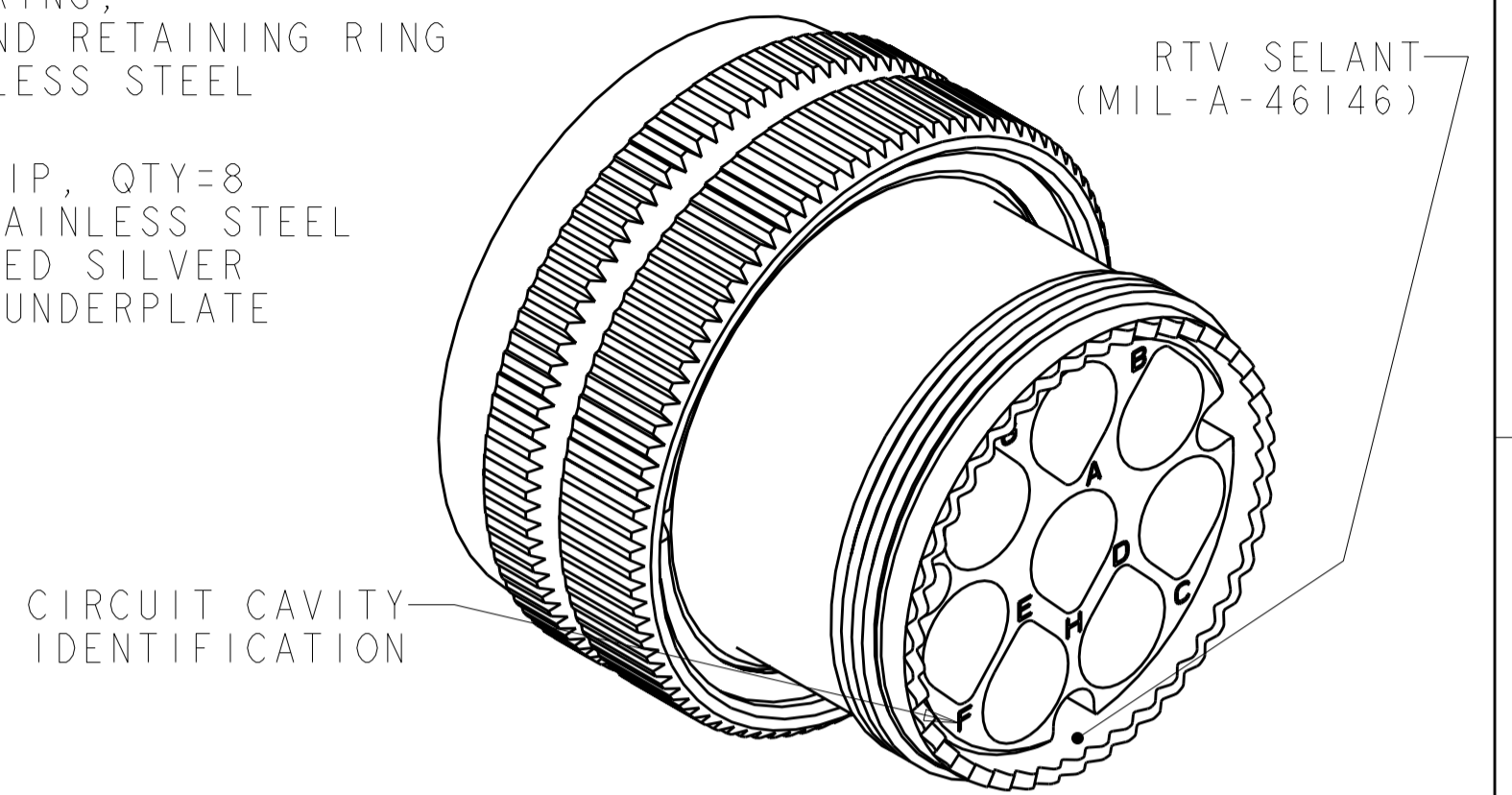
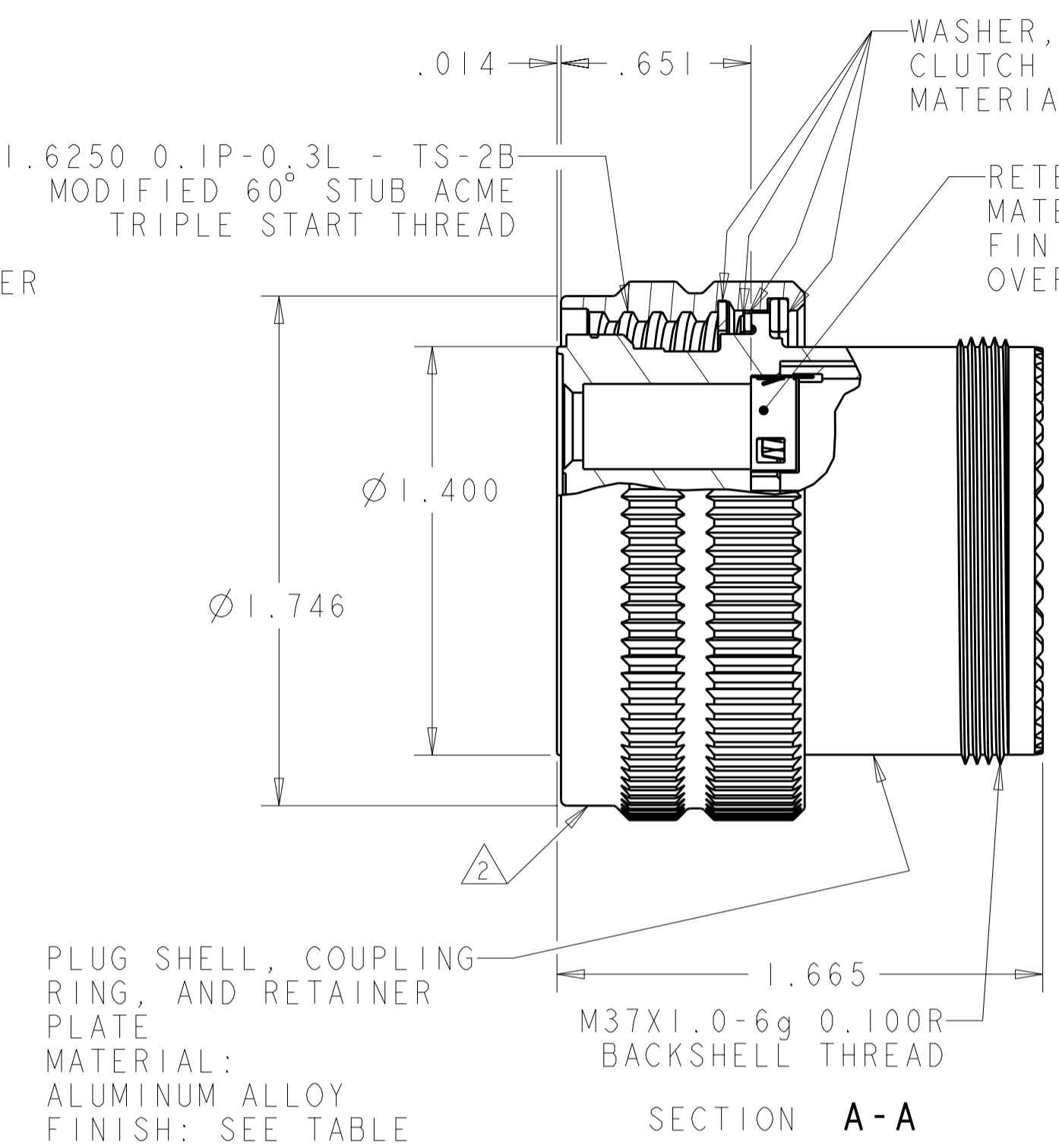
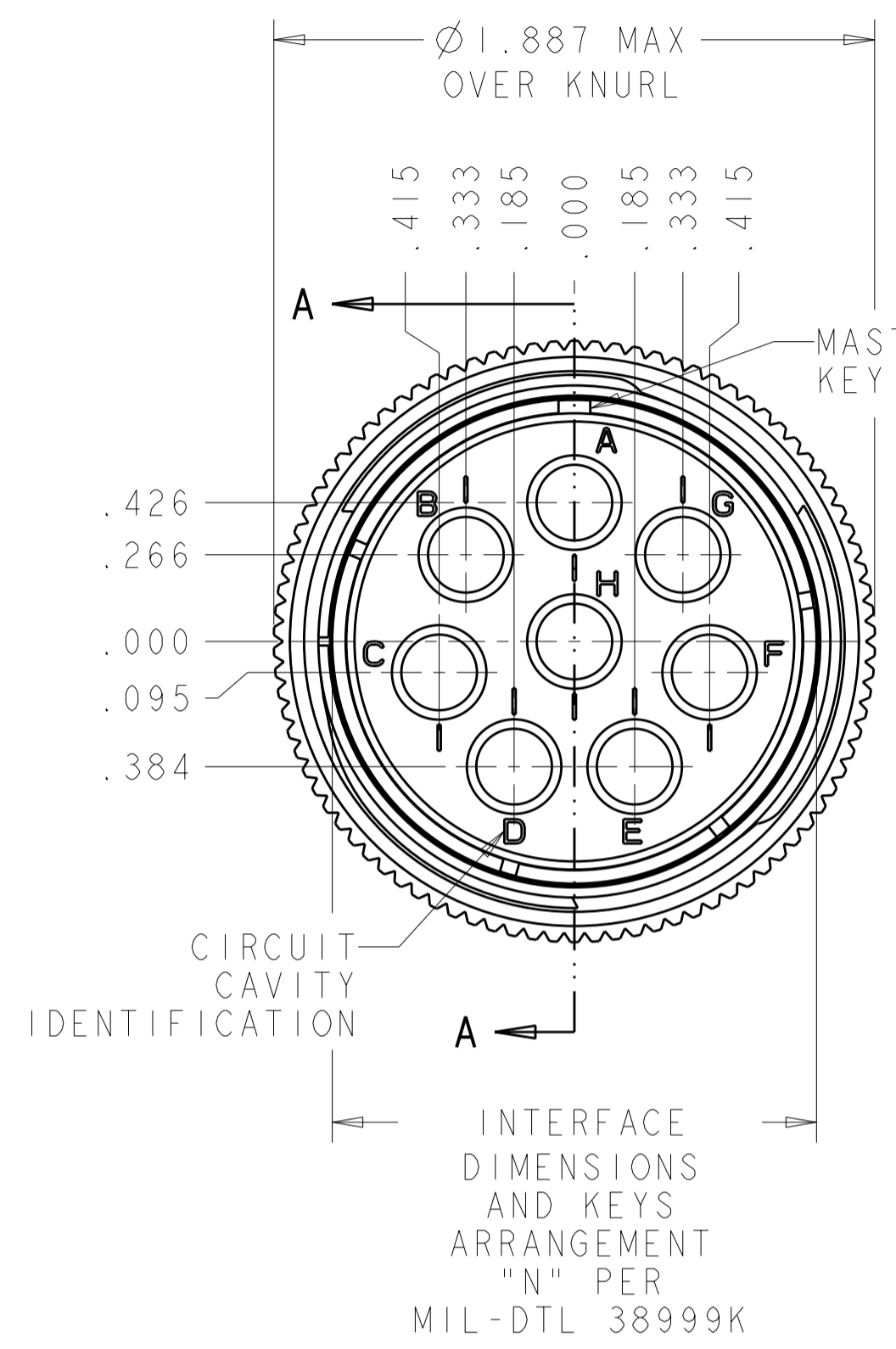


THIS DRAWING IS UNPUBLISHED. RELEASED FOR PUBLICATION 20
 © COPYRIGHT 20 BY TYCO ELECTRONICS CORPORATION. ALL RIGHTS RESERVED.

| LOC | | DIST | | REVISIONS | | | |
|-----|-----|---------------------------|-----------|-----------|------|--|--|
| P | LTR | DESCRIPTION | DATE | DWN | APVD | | |
| | F | REVISED PER ECO-08-029679 | 23DEC2008 | BH | LSO | | |



| | | | |
|------------|---------------------------------|--------------------------|-------------|
| OLIVE DRAB | SOLD SEPARATELY | B | 1-1811928-5 |
| OLIVE DRAB | SOLD SEPARATELY | A | 1-1811928-4 |
| OLIVE DRAB | SOLD SEPARATELY | N | 1-1811928-3 |
| OLIVE DRAB | PROVIDED UN-ASSEMBLED | B | 1-1811928-2 |
| OLIVE DRAB | PROVIDED UN-ASSEMBLED | A | 1-1811928-1 |
| OLIVE DRAB | PROVIDED UN-ASSEMBLED | N | 1-1811928-0 |
| NICKEL | SOLD SEPARATELY | B | 1811928-9 |
| NICKEL | SOLD SEPARATELY | A | 1811928-8 |
| NICKEL | SOLD SEPARATELY | N | 1811928-7 |
| NICKEL | PROVIDED UN-ASSEMBLED | B | 1811928-3 |
| NICKEL | PROVIDED UN-ASSEMBLED | A | 1811928-2 |
| NICKEL | PROVIDED UN-ASSEMBLED | N | 1811928-1 |
| FINISH | QUADRAX CONTACT 1445693-3 QTY=8 | SHELL KEYING ARRANGEMENT | PART NUMBER |

- 1, -2, -3, -10, -11 AND -12 CONNECTOR KIT INCLUDES TYCO ELECTRONICS QUADRAX PIN ASSEMBLY; PART NUMBER 1445693-3. QTY = 8 PER KIT.
- △ PART IS MARKED WITH TYCO ELECTRONICS PART NO. (SEE TABLE), TYCO ELECTRONICS LOGO OR TE, AND DATE CODE.
- OPERATING TEMPERATURE RANGE: -65°C TO +125°C (-85°F TO +257°F).
- THE CONNECTOR QUALIFICATION WAS COMPLETED PER TYCO ELECTRONICS 108-2199. THE QUADRAX CONTACTS ARE QUALIFIED PER TYCO ELECTRONICS 108-2131. THE REFERENCE TEST REPORTS ARE TYCO ELECTRONICS 501-660 FOR THE CONNECTOR AND 501-574 FOR THE CONTACTS WHICH ARE SAME AS ARINC 600-13, DRAFT 2 OF SUPPLEMENT 14 (AIR TRANSPORT AVIONICS EQUIPMENT INTERFACES).

THIS DRAWING IS A CONTROLLED DOCUMENT FOR TYCO ELECTRONICS CORPORATION. IT IS SUBJECT TO CHANGE AND THE CONTROLLING ENGINEERING ORGANIZATION SHOULD BE CONTACTED FOR THE LATEST REVISION.

DWN R FLAIG 17MAY2005
 CHK L OH 17MAY2005
 APVD L OH 17MAY2005

Tyco Electronics
 Harrisburg, PA 17105-3608

NAME ASSY, PLUG, SIZE 25, 808, M38999 STYLE

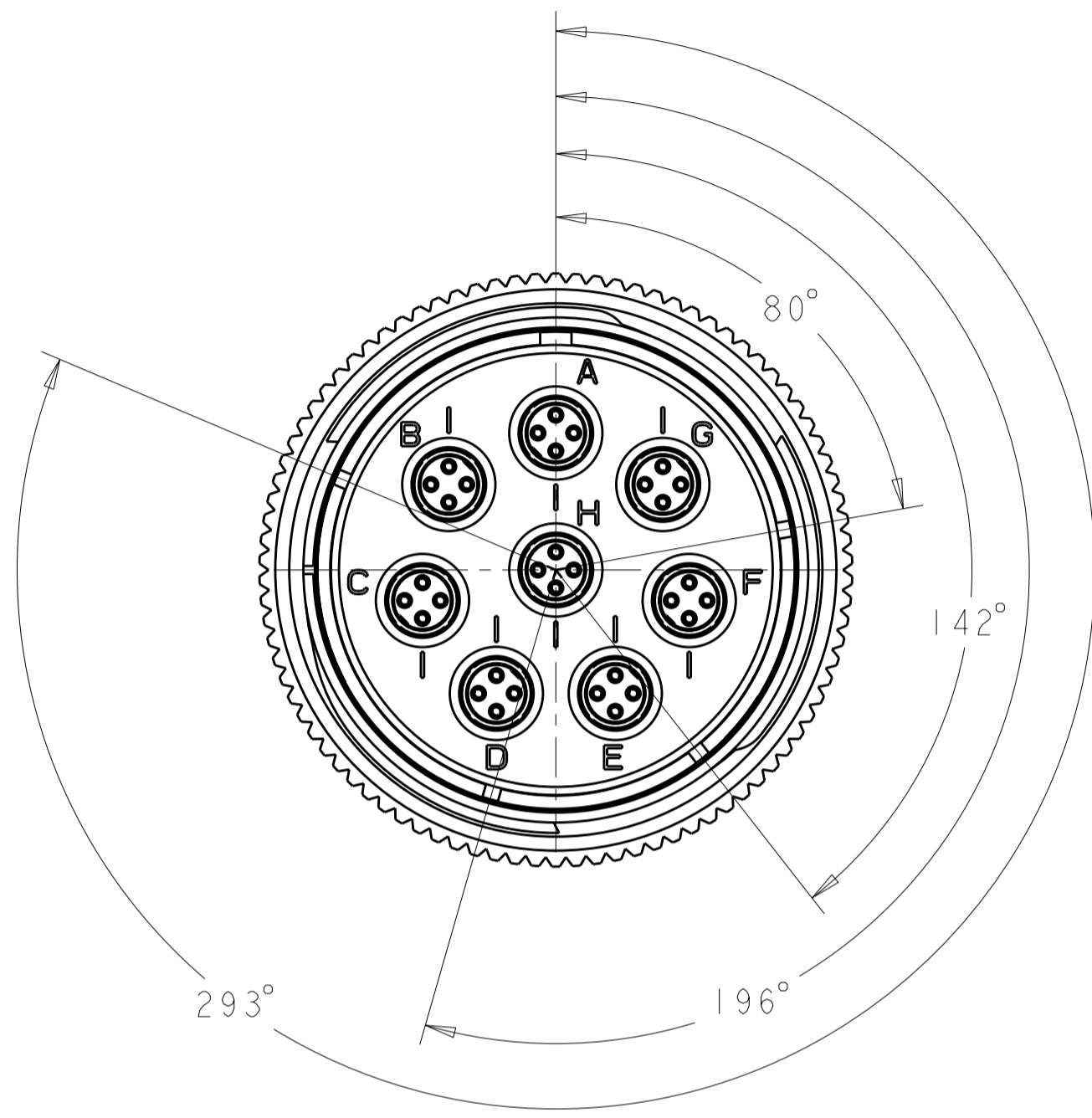
SIZE A2 CAGE CODE 00779 DRAWING NO. 1811928 RESTRICTED TO

MATERIAL - DIMENSIONS: INCHES - TOLERANCES UNLESS OTHERWISE SPECIFIED: 0 PLC ±.1, 1 PLC ±.01, 2 PLC ±.005, 3 PLC ±.002, 4 PLC ±.0020 ANGLES ±. FINISH - WEIGHT -

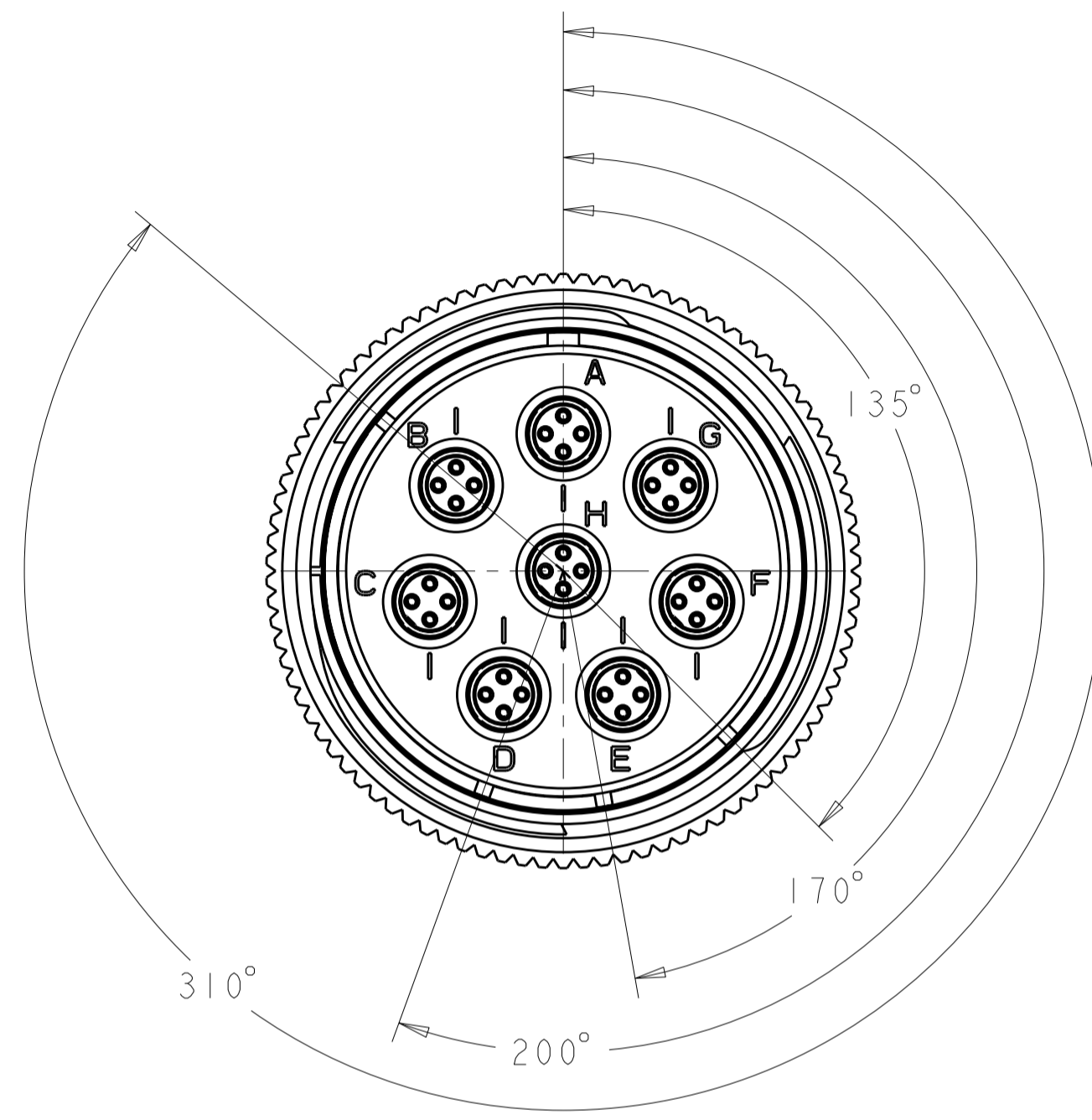
CUSTOMER DRAWING SCALE 2:1 SHEET 1 OF 2 REV F

THIS DRAWING IS UNPUBLISHED. RELEASED FOR PUBLICATION 20
 © COPYRIGHT 20 BY TYCO ELECTRONICS CORPORATION. ALL RIGHTS RESERVED.

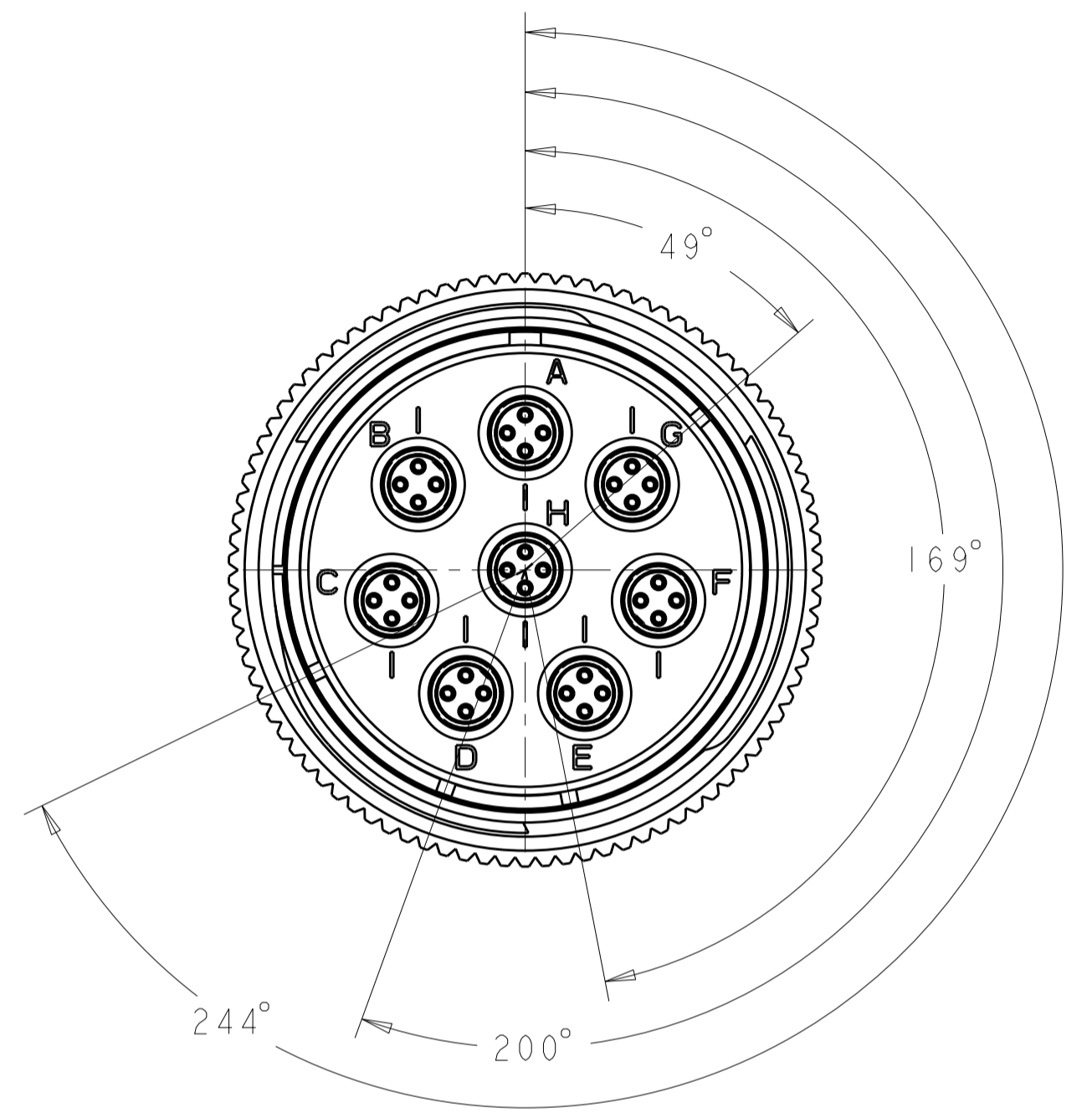
| LOC | DIST | REVISIONS | | | |
|-----|------|-------------|-------------|-----|------|
| P | LTR | DESCRIPTION | DATE | DWN | APVD |
| DF | A5 | - | SEE SHEET 1 | - | - |
| | | | | | |
| | | | | | |



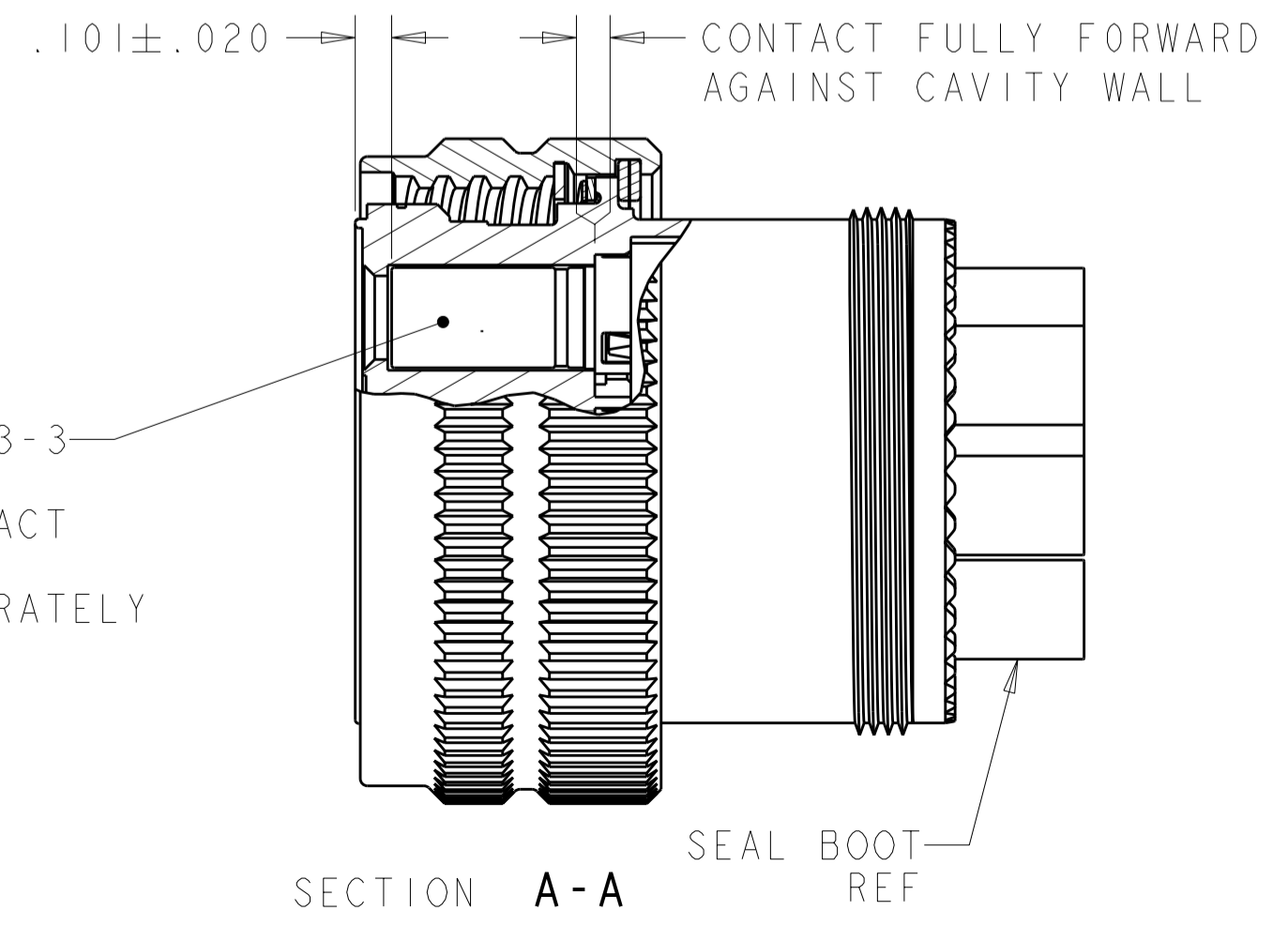
1811928-1
 "N" KEY POLARIZATION



1811928-2
 "A" KEY POLARIZATION



1811928-3
 "B" KEY POLARIZATION



QUADRAX SOCKET ASSY, 1445693-3
 SHOWN FOR REF ONLY
 -1, -2, -3, -10, -11 & -12 CONTACT
 PROVIDED UN-ASSEMBLED
 -7, -8, & -9 CONTACT SOLD SEPARATELY

| | | | |
|---|---|--|--|
| <small>THIS DRAWING IS A CONTROLLED DOCUMENT FOR TYCO ELECTRONICS CORPORATION IT IS SUBJECT TO CHANGE AND THE CONTROLLING ENGINEERING ORGANIZATION SHOULD BE CONTACTED FOR THE LATEST REVISION.</small> | | DWN R FLAIG 17MAY2005 CHK L OH 17MAY2005 APVD L OH 17MAY2005 | Tyco Electronics Harrisburg, PA 17105-3608 |
| DIMENSIONS: INCHES | TOLERANCES UNLESS OTHERWISE SPECIFIED: 0 PLC ±. 1 PLC ±.01 2 PLC ±.005 3 PLC ±.0020 4 PLC ±. ANGLES ±. FINISH | PRODUCT SPEC APPLICATION SPEC WEIGHT CUSTOMER DRAWING | NAME ASSY, PLUG, SIZE 25, 808, M38999 STYLE SIZE CAGE CODE DRAWING NO RESTRICTED TO A200779C-1811928 - |
| SCALE 2:1 SHEET 2 OF 2 REV F | | Tyco Electronics logo | |