

5

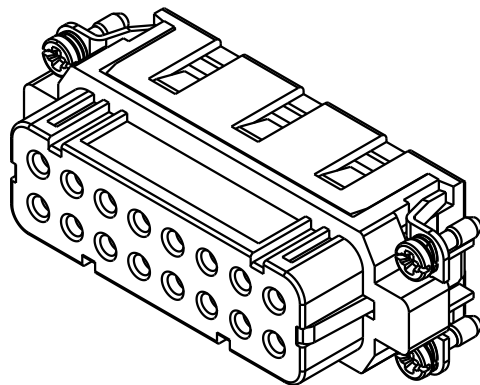
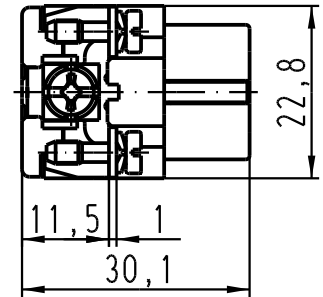
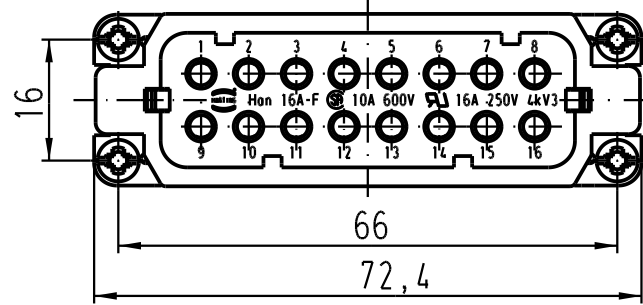
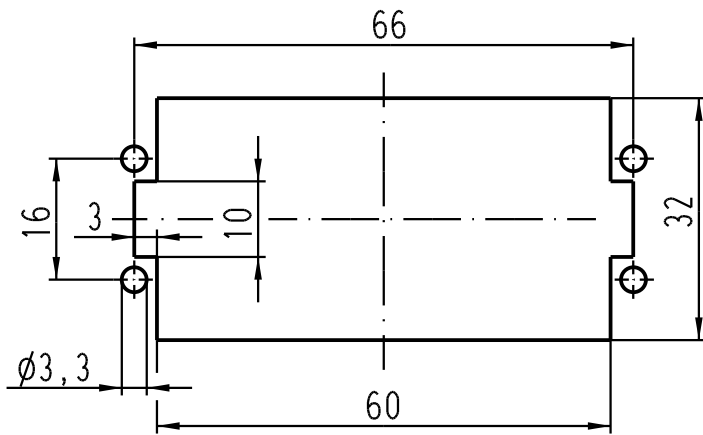
4

3

2

1

Montageausschnitt/
panel cut out



| | | | | | | | | |
|---|----------|------|---|----------|------|--|--|--|
| All Dimensions in mm Original Size DIN A 4 | | | Techn. Character. | | | Nicht tolerierte Masse / Free size tolerances | | |
| | | | | Dat. | Name | Massstab / Scale | | |
| | | | Detail. | 29.03.99 | PL | 1:1 | | |
| 411720 | 25.07.05 | Grie | Insp. | | SDT | | | |
| 410526 | 18.07.03 | Ho | Stand. | | | Han 16A-F-c Buchseneinsatz / female insert | | |
| 29660 | 13.08.01 | Pae | | | | | | |
| 25622 | | | | | | TB 09 20 016 3101 Sub. TB 09 20 0.. 3101 v. 08.03.93 | | |
| Mod. | Dat. | Name | HARTING Electric GmbH & Co. KG D-32339 Espelkamp | | | | | |
| | | | | | | Blatt / page | | |

D

C

B

A