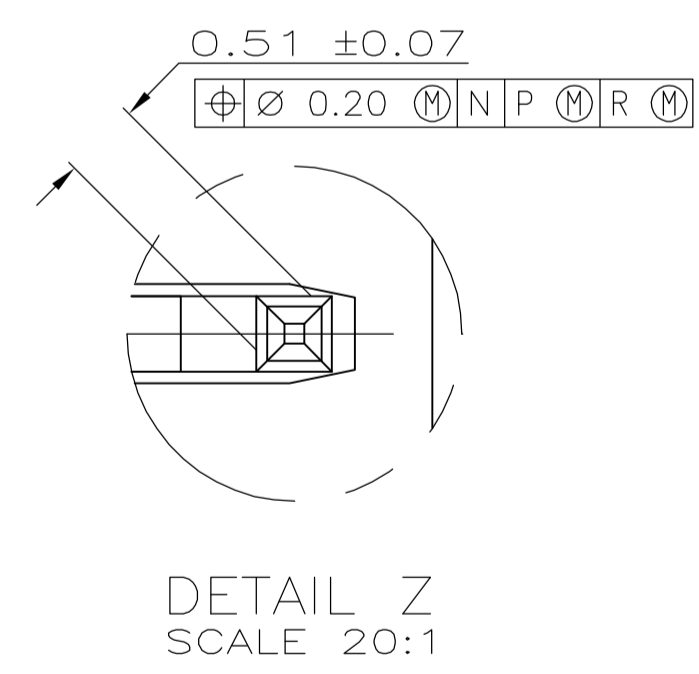
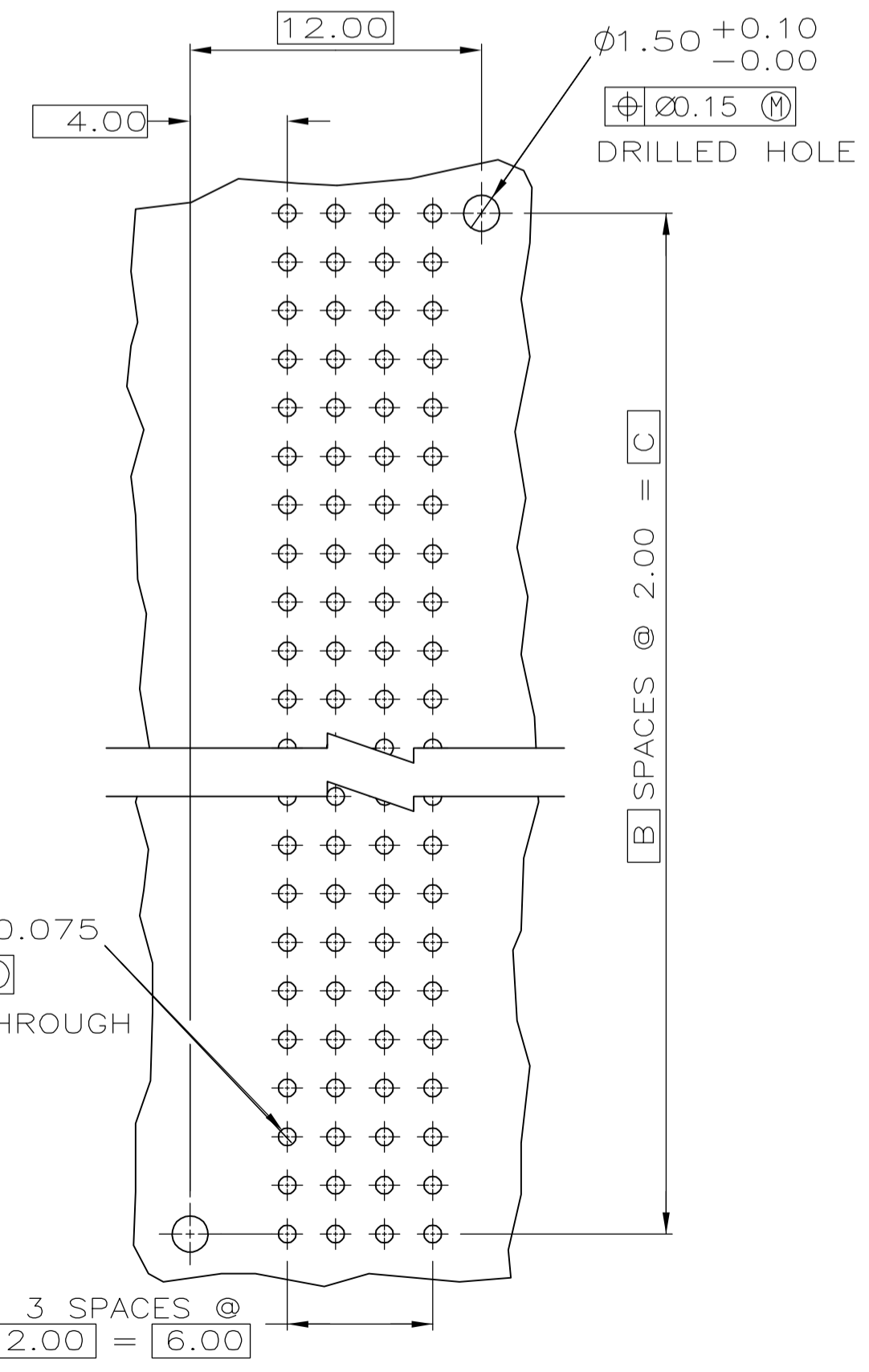
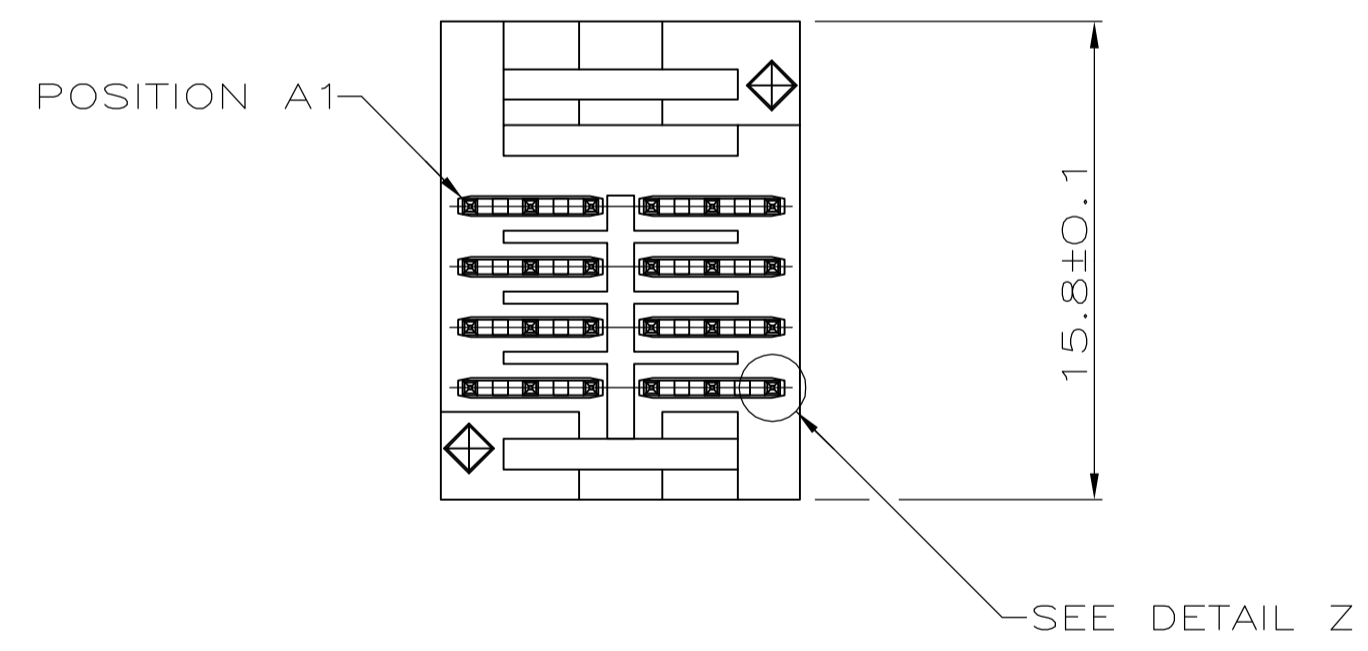
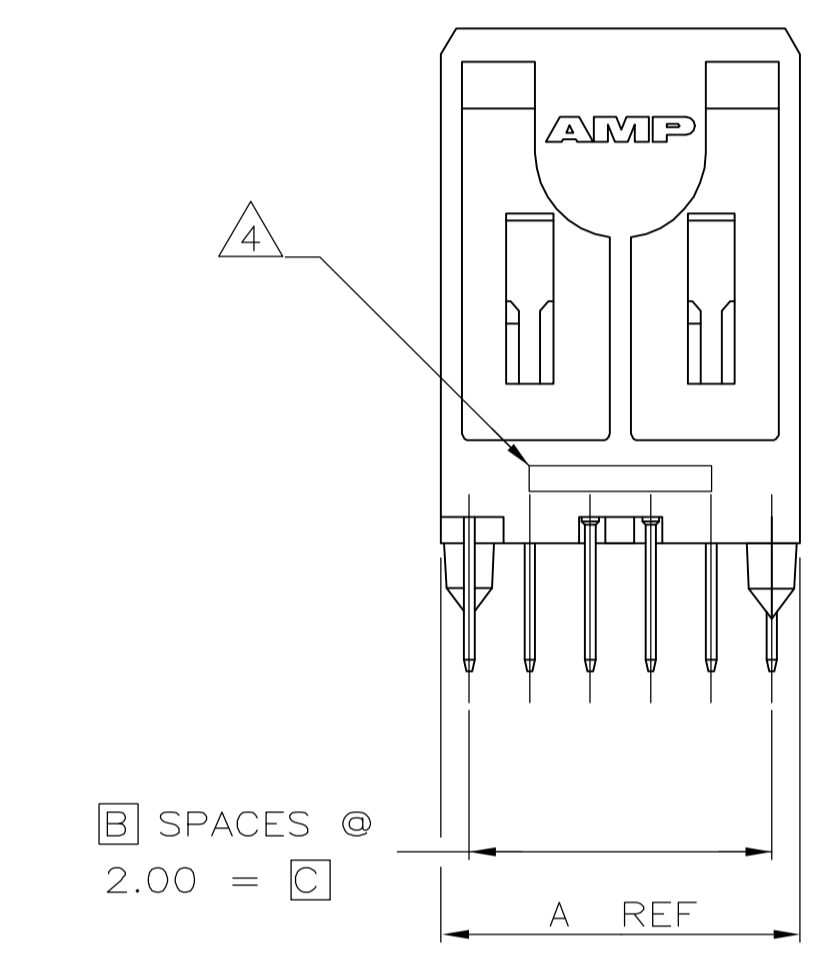
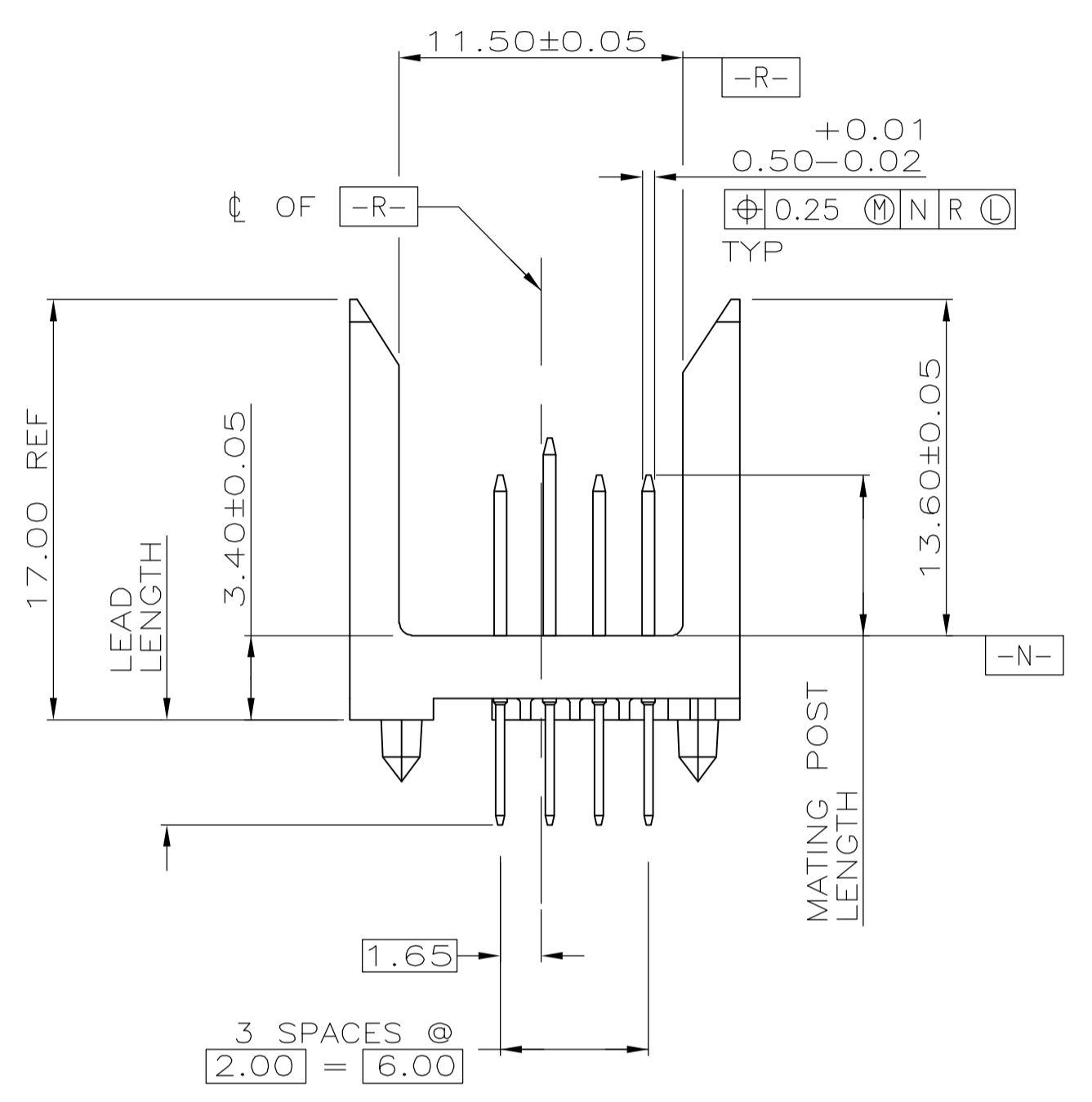
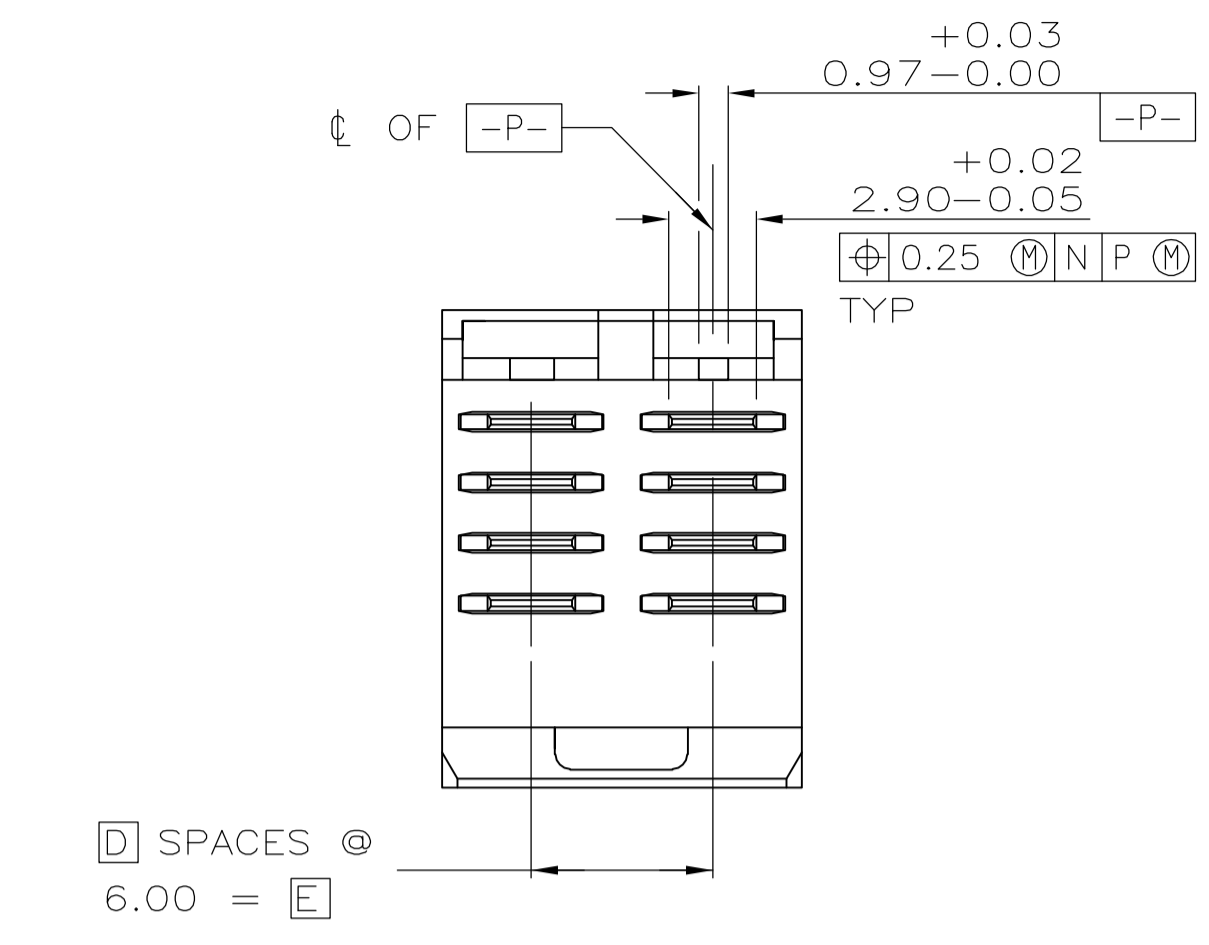


- ① HOUSING MATERIAL: LIQUID CRYSTAL POLYMER  
COLOR: NATURAL.
- ② CONTACT MATERIAL: PHOSPHOR BRONZE PER UNS ALLOY NO. C51100, TEMPER: H04.
- ③ CONTACT FINISH:  
UNDERPLATE (ENTIRE CONTACT):  
0.00127 MIN NICKEL PER SAE-AMS-QQ-N-290  
ON MATING SURFACES:  
FLASH GOLD PER ASTM B 488, OVER  
0.00076 MIN PALLADIUM-NICKEL OVER UNDERPLATE, OR  
0.00076 MIN GOLD PER ASTM B 488 OVER UNDERPLATE.  
ON LEADS:  
0.00381 MIN TIN-LEAD OVER UNDERPLATE.  
LUBRICATION (MIN MATING SURFACES)  
SURFACE CONDITIONER AFTER PLATING.
- ④ PART MARKING LOCATED APPROXIMATELY AS SHOWN.



ROW	D	CA		CA		
C	CA		CA			
B	CC		CC			
A	CA		CA			
1 2 3 4 5 6						
POWER POSITION						

CODE LETTER	MATING POST LENGTH $\pm 0.1$	LEAD LENGTH (REF)
CC	8	4.25
CA	6.5	4.25

6	1	10	5	11.88	③	8	536627-1
E	D	C	B	A	FINISH	NO OF POWER POSN	PART NUMBER
THIS DRAWING IS A CONTROLLED DOCUMENT.							
DIMENSIONS: mm		TOLERANCES UNLESS OTHERWISE SPECIFIED:		DIN R BUCHHEISTER 19/APR/96		Tyco Electronics Corporation Harrisburg, PA 17105-3608	
0 PLC ± -		1 PLC ± -		CHK D BAECHTLE 19/APR/96		APVD D BAECHTLE 19/APR/96	
2 PLC ± ± 0.13[.005]		3 PLC ± ± -		PRODUCT SPEC		NAME	
4 PLC ± ± -		ANGLES ± ± -		APPLICATION SPEC		ASSEMBLY, PIN, POWER, VERTICAL, Z-PACK 2mm FB, 4 ROW, SOLDER LEADS, SEQUENCED BY ROW	
MATERIAL		FINISH		WEIGHT		RESTRICTED TO	
① ②		③		A1 00779 C=536627		SCALE 4:1 SHEET 1 OF 1 REV G	
CUSTOMER DRAWING							