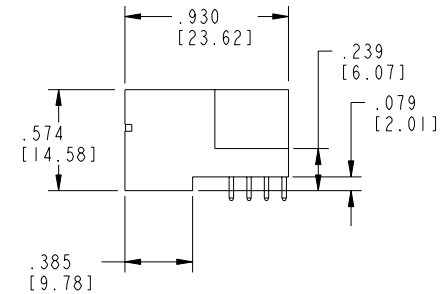
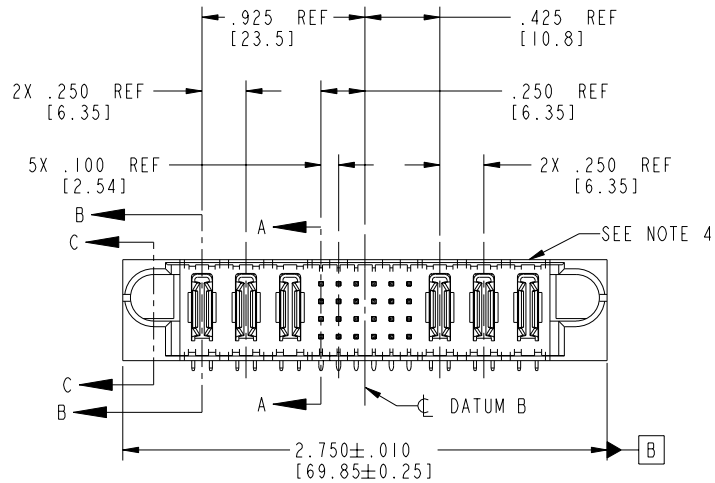
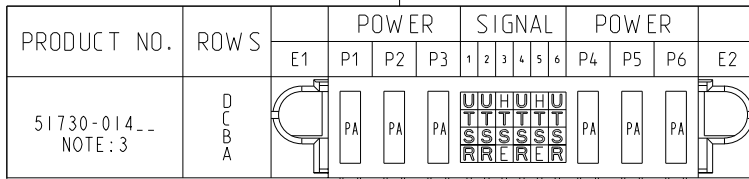


Tous droits strictement réservés. Reproduction ou communication à des tiers interdite sous quelque forme que ce soit sans autorisation écrite du propriétaire. Propriété de c FCI. Droits de reproduction FCI.

All rights strictly reserved. Reproduction or issue to third parties in any form whatever is not permitted without written authority from the proprietor. Property of FCI. Copyright FCI.



CODE	DIM "M" MATING LENGTH	CONTACT TYPE
E	.220 [5.59]	SIGNAL
H	.220 [5.59]	SIGNAL
R	.270 [6.86]	SIGNAL
S	.270 [6.86]	SIGNAL
T	.270 [6.86]	SIGNAL
U	.270 [6.86]	SIGNAL
PA	N/A [N/A]	POWER

mat'l code				SEE NOTE 2		tolerances unless otherwise specified		CUSTOMER		 www.fciconnect.com	
ltr	ecn no.	dr	date	linear	.XX±.01/0.X±0.3	COPY		projection		title	
A	V02906	JRW	12/19/00		.XXX±.005/0.XX±0.13					3P + 24S + 3P	
B	V12159	JRW	8-16-01		.XXX±.0020/0.XXX±0.051					RIGHT ANGLE SOLDER HEADER	
C	DG05-0341	CS	09/23/05	angles	0°±?			INCH/MM		product family	
D	DG05-0560	CS	12/26/05	dr	J. WITMER 12/19/00			scale		PwrBlade	
				enr	J. DODDS 12/19/00			1:1		code	
				chr	J. DODDS 12-19-00					213	
				appd	J. DODDS 01-19-00					sheet	
sheet index	revision	D	D	D	D					1 of 4	
	sheet	1	2	3	4						

cage code 22526 4

PDM: Rev:D

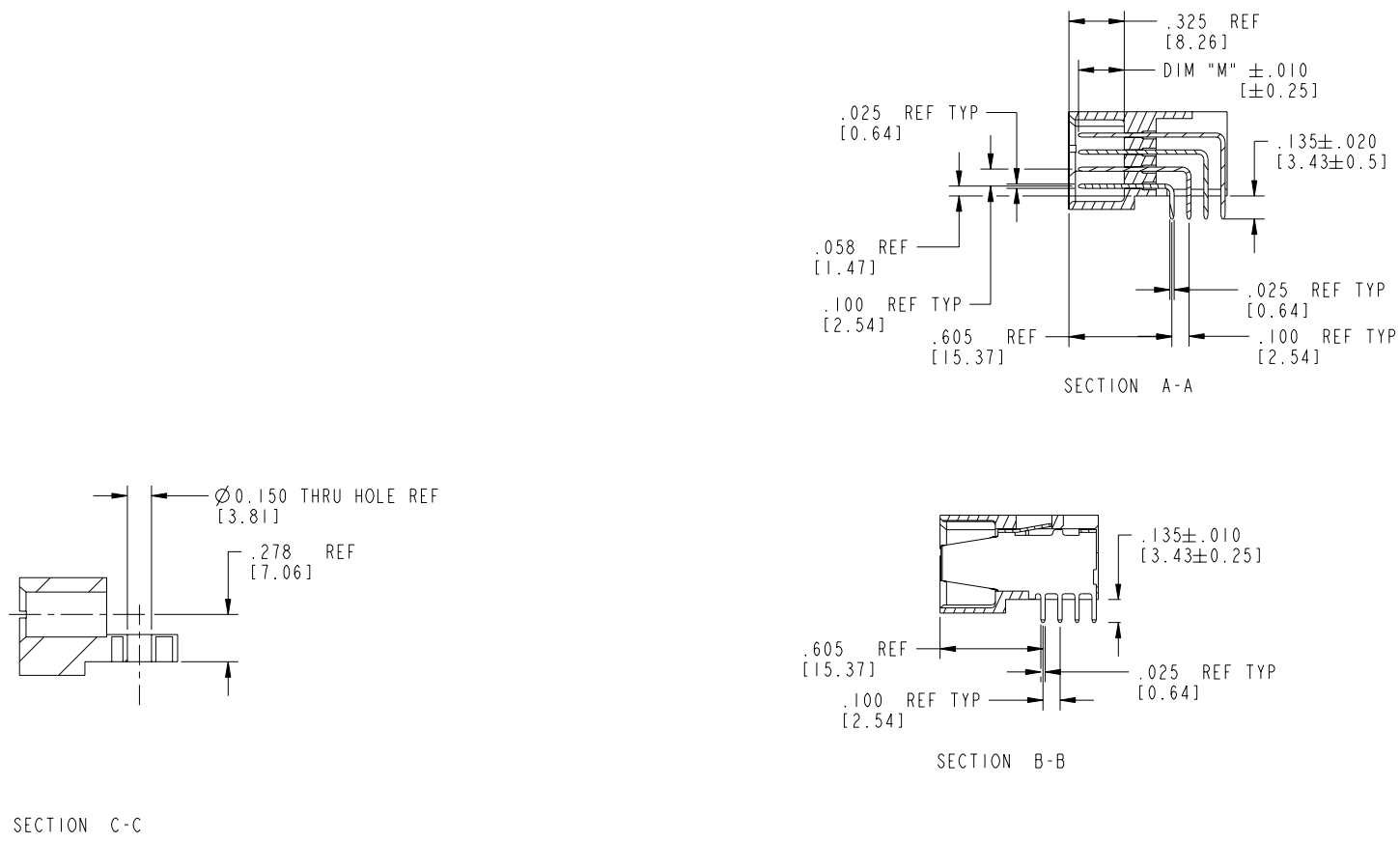
STATUS:Released

Printed: Dec 20, 2010

Tous droits strictement réservés. Reproduction ou communication a des tiers interdite sous quelque forme que ce soit sans autorisation écrite du propriétaire. Propriété de c FCI. Droits de reproduction FCI.

All rights strictly reserved. Reproduction or issue to third parties in any form whatever is not permitted without written authority from the proprietor. Property of FCI. Copyright FCI.

PRODUCT NUMBER
51730-014__
NOTE: 3



A
FCI

B

mat'l code		SEE NOTE 2		tolerances unless otherwise specified		CUSTOMER		 www.fciconnect.com	
ltr	ecn no.	dr	date	linear	.XX±.01/0.X±0.3	COPY		title	
D				linear	.XXX±.005/0.XX±0.13	projection		3P + 24S + 3P	
				angles	XXXX±.0020/0.XXX±0.051			RIGHT ANGLE SOLDER HEADER	
				dr	0°±2°	INCH/MM		product family	
				enrg	J. WITMER 12/19/00	scale		PwrBlade	
				chr	J. DODDS 12/19/00	1:1		code	
				appd	J. DODDS 01-19-00			213	
sheet index	revision sheet							51730-014	
								2 of 4	

cage code 22526

Pro/E

PDM: Rev:D

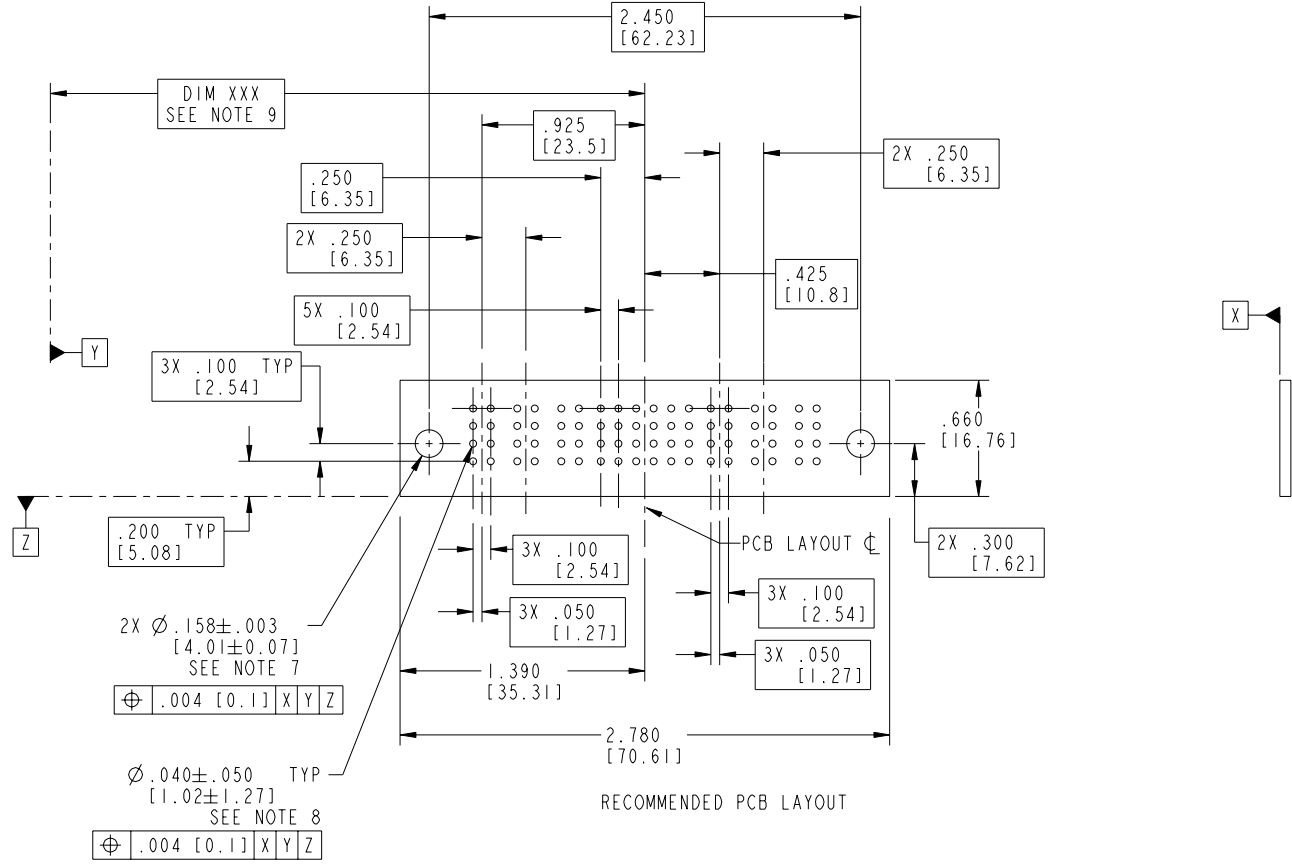
STATUS: Released

Printed: Dec 20, 2010

Tous droits strictement réservés. Reproduction ou communication à des tiers interdite sous quelque forme que ce soit sans autorisation écrite du propriétaire. Propriété de c FCI. Droits de reproduction FCI.

All rights strictly reserved. Reproduction or issue to third parties in any form whatever is not permitted without written authority from the proprietor. Property of FCI. Copyright FCI.

PRODUCT NUMBER
51730-014__
NOTE: 3



FCI

mat'l code		SEE NOTE 2		tolerances unless otherwise specified		CUSTOMER		FCI www.fciconnect.com	
ltr	ecn no.	dr	date	linear	.XX±.01/0.XX±0.3		COPY		title 3P + 24S + 3P RIGHT ANGLE SOLDER HEADER
D				angles	.XXX±.005/0.XX±0.13		projection		
				dr	° ± 2°		INCH/MM		product family PwrBlade
				enrg	J. WITMER	12/19/00	scale		code 213
				chr	J. DODDS	12/19/00	1:1		size 51730-014
				appd	J. DODDS	01-19-00			sheet 3 of 4
sheet index	revision sheet								

cage code 22526 4

Pro/E

PDM: Rev:D

STATUS: Released

Printed: Dec 20, 2010

Tous droits strictement réservés. Reproduction ou communication a des tiers interdite sous quelque forme que ce soit sans autorisation écrite du propriétaire. Propriété de c FCI. Droits de reproduction FCI.

All rights strictly reserved. Reproduction or issue to third parties in any form whatever is not permitted without written authority from the proprietor. Property of FCI. Copyright FCI.

PRODUCT NUMBER
51730-014__
NOTE: 3

NOTES:

1. DIMENSIONS AND TOLERANCES ARE IN ACCORDANCE WITH ASME Y14.5M, 1994 UNLESS OTHERWISE SPECIFIED.

CONNECTORS NOTES:

② HOUSING MATERIAL: UL 94 V-0 GLASS FILLED HIGH TEMP THERMO PLASTIC
POWER CONTACT MATERIAL: COPPER ALLOY
SIGNAL PIN MATERIAL: COPPER ALLOY

3. PLATING:

51730-014, 51730-014LF, PLATING SPEC SEE PRINT: 100064183.

4. "MANUFACTURER" NAME, P/N, AND DATE CODE TO APPEAR ON THIS SURFACE.

5. PRODUCT SPECIFICATION GS-12-149.


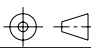

PCB - NOTES:

6. ALL HOLE DIAMETERS ARE FINISHED HOLE SIZE.

7. HOLD DOWN THROUGH HOLES ARE UNPLATED.

⑧ $\varnothing .0453 \pm 0.0010$ [1.151 \pm 0.025] DRILLED HOLES PLATED WITH 0.0003 [0.008] MIN SnPb OVER .001 [0.03] TO .003 [0.08] Cu PLATING TO ACHIEVE $\varnothing .040 \pm .003$ [1.02 \pm .07] HOLE.

9. "DIM XXX" TO BE DETERMINED BY THE CUSTOMER.

mat'l code				SEE NOTE 2		tolerances unless otherwise specified		CUSTOMER		 www.fciconnect.com	
ltr	ecn no.	dr	date	linear	.XX±.01/0.X±0.3	projection		COPY		title	
D					.XXX±.005/0.XX±0.13			INCH/MM		3P + 24S + 3P	
				angles	XXXX±.0020/0.XXX±0.051			A		RIGHT ANGLE SOLDER HEADER	
				dr	0° ± 2°	J. WITMER 12/19/00		product family		code	
				enr		J. DODDS 12/19/00		PwrBlade		213	
				chr		J. DODDS 12-19-00		size		sheet	
				appd		J. DODDS 01-19-00		A		4 of 4	
sheet index		revision sheet		scale		1:1		51730-014			

cage code 22526 4