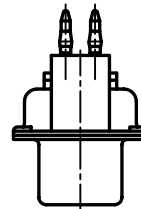
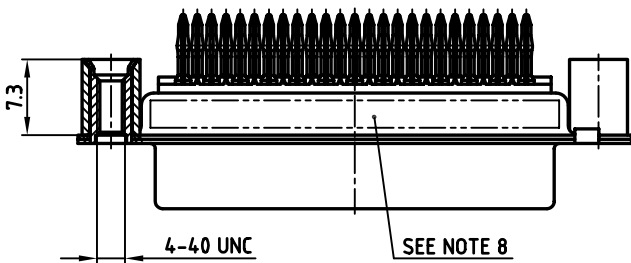
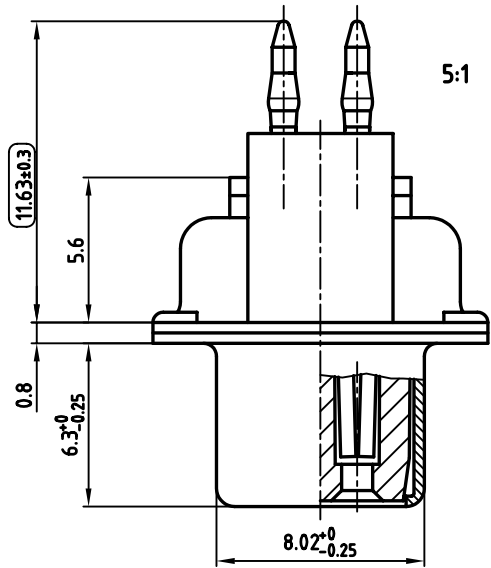
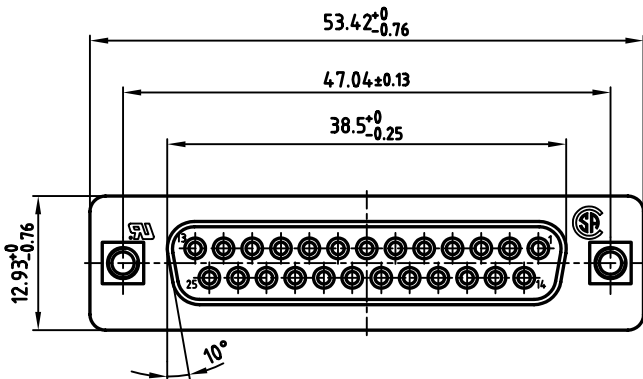


used for: D-SUB



CONNECTOR SHOULD BE FIXED WITH SCREWS TO THE P.C.B.

NOTES:

1. METALSHELLS: STEEL; min. 320µ" TIN
2. INSULATORS: PBT GF UL 94 V-0, BLACK
3. PRESS-FIT CONTACTS: COPPER ALLOY
PLATING-MATING SIDE+REAR SIDE:
8µ" HARD GOLD OVER min. 50µ" NICKEL
P.C.B. THICKNESS: min. 1.6mm
4. THREADED REAR SPACER: COPPER ALLOY; min. 200µ" TIN over 80µ" NICKEL
5. SLEEVE: COPPER ALLOY; min. 200µ" TIN over 80µ" NICKEL
6. P.C.B. HOLE DRILLINGS ON SHEET 2
7. MAXIMUM TORQUE VALUE FOR THREAD: 6" LBS
8. CONNECTOR IS PART MARKED: DSS3XSFAA49X CONEC ABC
9. = CHECK DIMENSION

Directive 2002/95/EC
 RoHS-Compliant

APPROVAL # FREIGABE # DEBLOCAGE # AUTORIZACION # APPROVAL CUSTOMER APPROVAL DATE:		
<table style="width: 100%;"> <tr> <td style="width: 50%;">NAME:</td> <td>TITLE:</td> </tr> </table>	NAME:	TITLE:
NAME:	TITLE:	
COMPANY NAME:		
APPROVAL # FREIGABE # DEBLOCAGE # AUTORIZACION # APPROVAL		

THIS DRAWING MAY NOT BE COPIED OR REPRODUCED IN ANY WAY, AND MAY NOT BE PASSED ON TO A THIRD PARTY, WITHOUT WRITTEN PERMISSION.
 OWNERSHIP AND COPYRIGHT OF CONEC GmbH
DO NOT ALTER CAD DRAWING BY HAND

rev.	description	date	name
a	Origin		

tolerance	dim. in mm
2006	date
drawn	13.02. Lehmenkühler
appd.	13.02. Mickenbecker
norm	
d-old	
CONEC [®]	

scale:	2:1 (5:1)
material:	SEE NOTES
title:	D-SUB FEMALE 25pos. PRESSFIT TYPE with threaded rear spacer
dwg no:	AutoCAD 2004
part no:	16K2A1258 DSS3XSFAA49X
DIN-A	3
sh:	1/2

4

3

2

1

used for: D-SUB

F

F

E

E

D

D

C

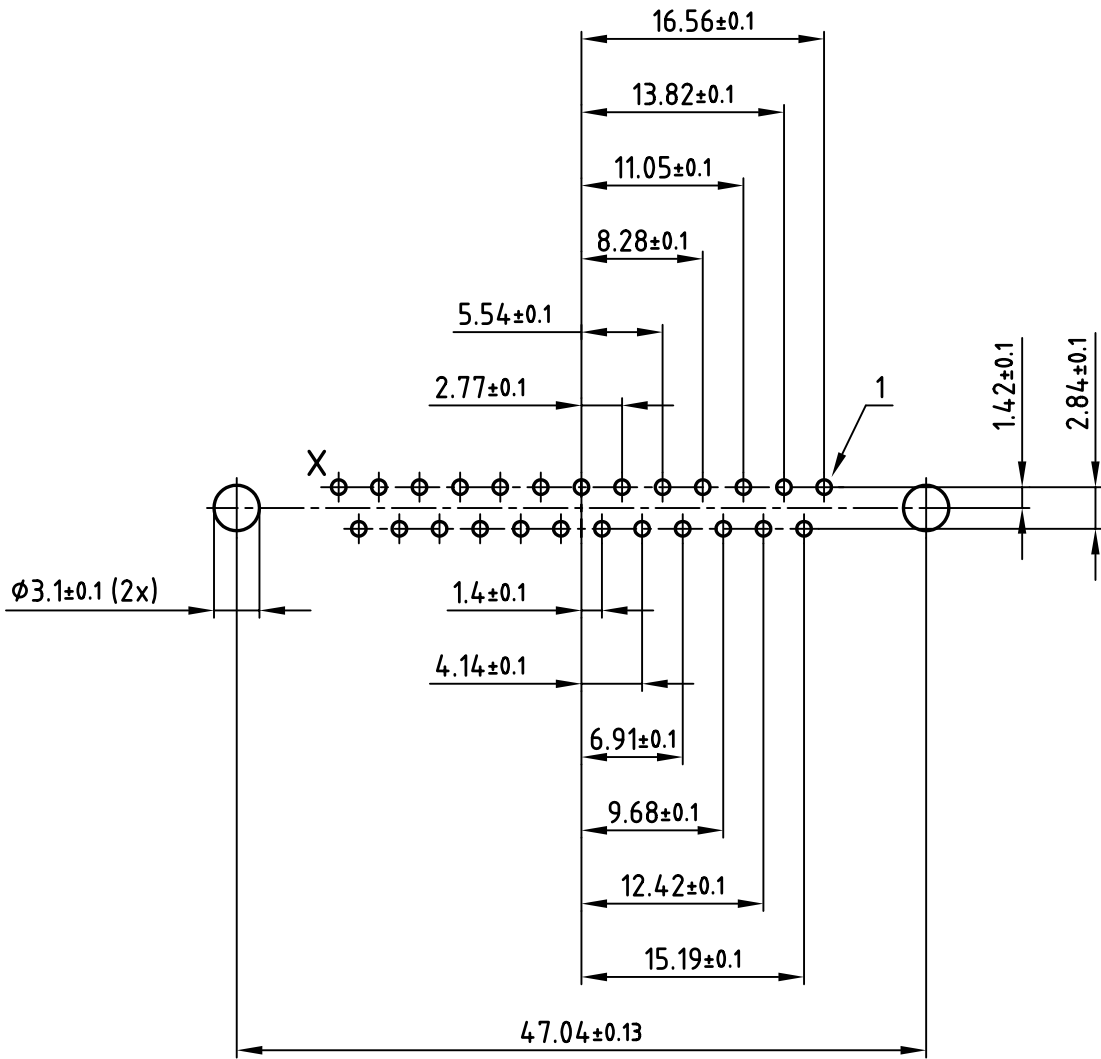
C

B

B

A

A



Tin thickness
 15µm (600µ") maximum

Copper thickness
 25µm (1000µ") minimum

X 5:1

Finished hole
 $\phi 1^{+0.09}_{-0.06}$ (25x)

APPROVAL # FREIGABE # DEBLOCAGE # AUTORIZACION # APPROVAL	
CUSTOMER APPROVAL DATE:	
NAME:	TITLE:
COMPANY NAME:	
APPROVAL # FREIGABE # DEBLOCAGE # AUTORIZACION # APPROVAL	

THIS DRAWING MAY NOT BE COPIED OR REPRODUCED IN ANY WAY, AND MAY NOT BE PASSED ON TO A THIRD PARTY WITHOUT WRITTEN PERMISSION.
 OWNERSHIP AND COPYRIGHT OF CONEC GmbH
 DO NOT ALTER CAD DRAWING BY HAND

tolerance			scale:	2:1 (5:1)
dim. in mm			material:	SEE SHEET 1
2006	date	name	title: P.C.B. HOLE DRILLINGS D-SUB FEMALE 25pos. PRESS-FIT TYPE with threaded rear spacer	
drawn	13.02.	Lehmenkühler		
appd.	13.02.	Mickenbecker		
norm				
d-old			dwg no:	AutoCAD 2004
a	Origin		16K2A1258	
rev.	description	date	name	sh:2/2
			part no: SEE SHEET 1	



4

3

2

1