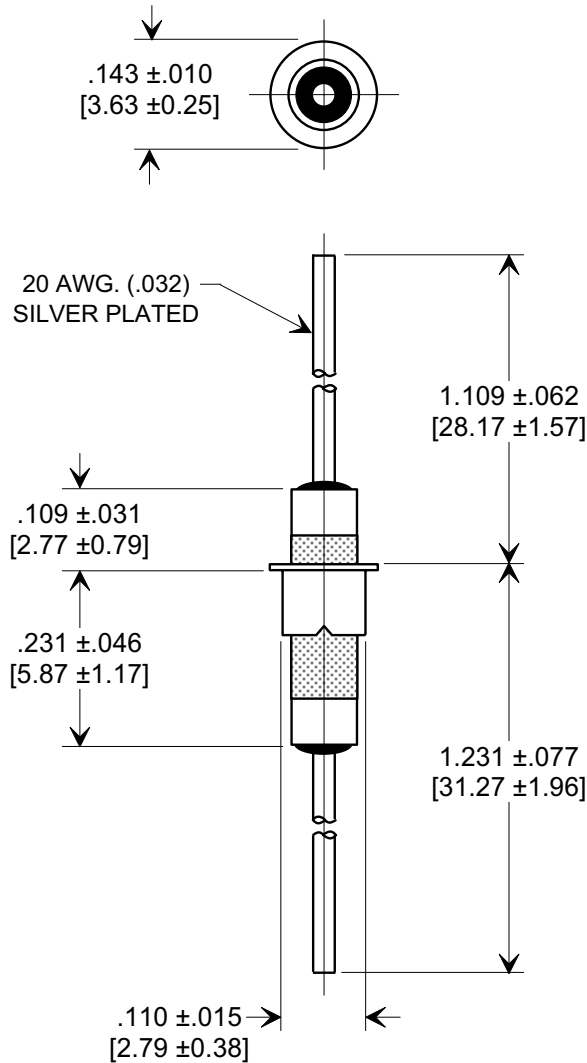
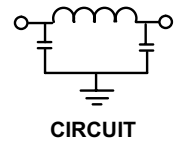


# MARKETING SALES DRAWING

**DIMENSIONS IN INCHES - DO NOT SCALE THIS DRAWING**  
**DIMENSIONS IN METRIC - [ ]**

Electrical Testing  
 per Tusonix standard  
 test plans and Mil-Std-202  
 Test Methods.



MIN. CAP.(pf)	WORKING VOLTAGE (WVDC)		DC CURRENT	MINIMUM NO LOAD INSERTION LOSS (dB) AT 25°C PER MIL-STD-220			
	85 °C	125 °C		10 MHz	100 MHz	500 MHz	10 GHz
1500	----	200	10 A	5	45	68	70

X-2015 Rev-0 <b>REVISION RECORD</b> Original Release C.O. RDWN TO COMP FMT & REVISED DIMENSIONS. S.M. 08-10-99 <b>19990809-1-01</b>	<b>0</b>	--TOLERANCES-- Unless Otherwise Specified	Title <b>EYELET STYLE EMI FILTER MIL 15733/62-0002</b>	
			DECIMAL ±    NOTED	Drawn    S.M. 08-10-99    Scale 4 X
		ANGLES ±	<b>TUSONIX</b> TUCSON, ARIZONA	Approved    E.F. 08-10-99
			<b>A</b>	<b>4100-500</b>