

20  
RELEASED FOR PUBLICATION

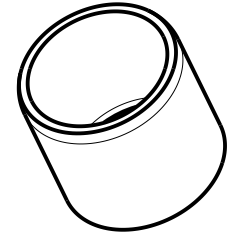
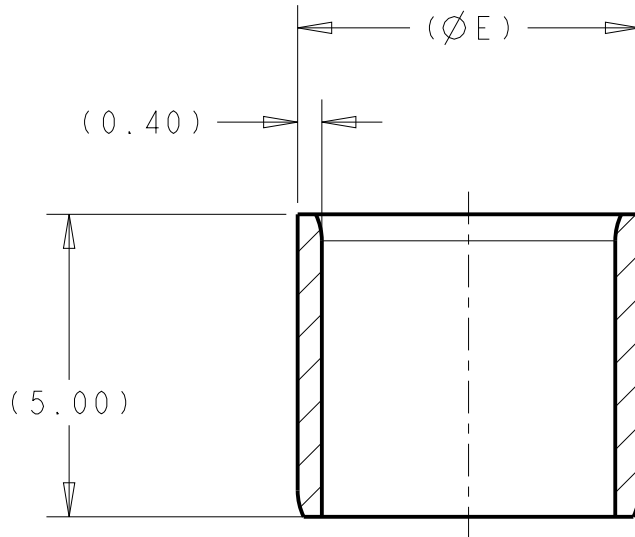
THIS DRAWING IS UNPUBLISHED.

ALL RIGHTS RESERVED.  
BY TYCO ELECTRONICS CORPORATION

© COPYRIGHT 20

REVISIONS

P	LTR	DESCRIPTION	DATE	DWN	APVD
	B3	ECO-13-000550	10JAN2013	DS	AT
	B3	ECO-14-000116	27FEB2014	DS	AT



SCALE 4:1

- 1 MATERIAL TYPE: COPPER ALLOY
- 2 FINISH: BARE
- 3. PARTS MUST BE FREE OF BURRS, CRACKS, OR OTHER VISUAL IMPERFECTIONS THAT MAY AFFECT FIT FORM OR FUNCTION
- 4 NOTE DELETED

5.41	6.10	7.00	SIZE C	1587828-3
4.76	5.41	6.30	SIZE B	1587828-2
4.11	4.76	5.70	SIZE A	1587828-1
MIN	MAX	E	DESCRIPTION	PART NO
WIRE O.D.				

DIMENSIONS: mm	DWN D SIMPSON 01JUN2009	MATERIAL	FINISH	
	CHK A TYLER 01JUN2009			
TOLERANCES UNLESS OTHERWISE SPECIFIED:	APVD -	TE Connectivity		
0 PLC ±-	PRODUCT SPEC 108-2394			
1 PLC ±0.2	APPLICATION SPEC 114-13259	SIZE	CAGE CODE	DRAWING NO
2 PLC ±0.10	WEIGHT -	A 4	00779	C-1587828
3 PLC ±0.013				RESTRICTED TO
4 PLC ±0.0001				-
ANGLES ±-				
	CUSTOMER DRAWING		SCALE	SHEET
			8:1	1 OF 1
				REV B3