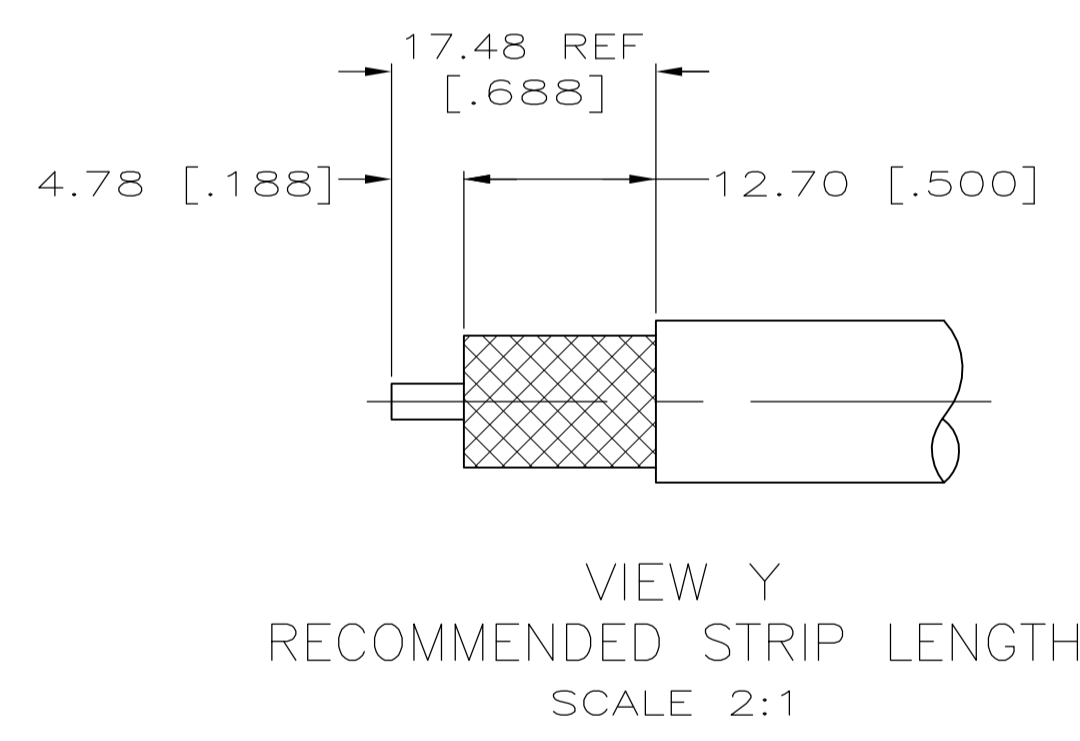
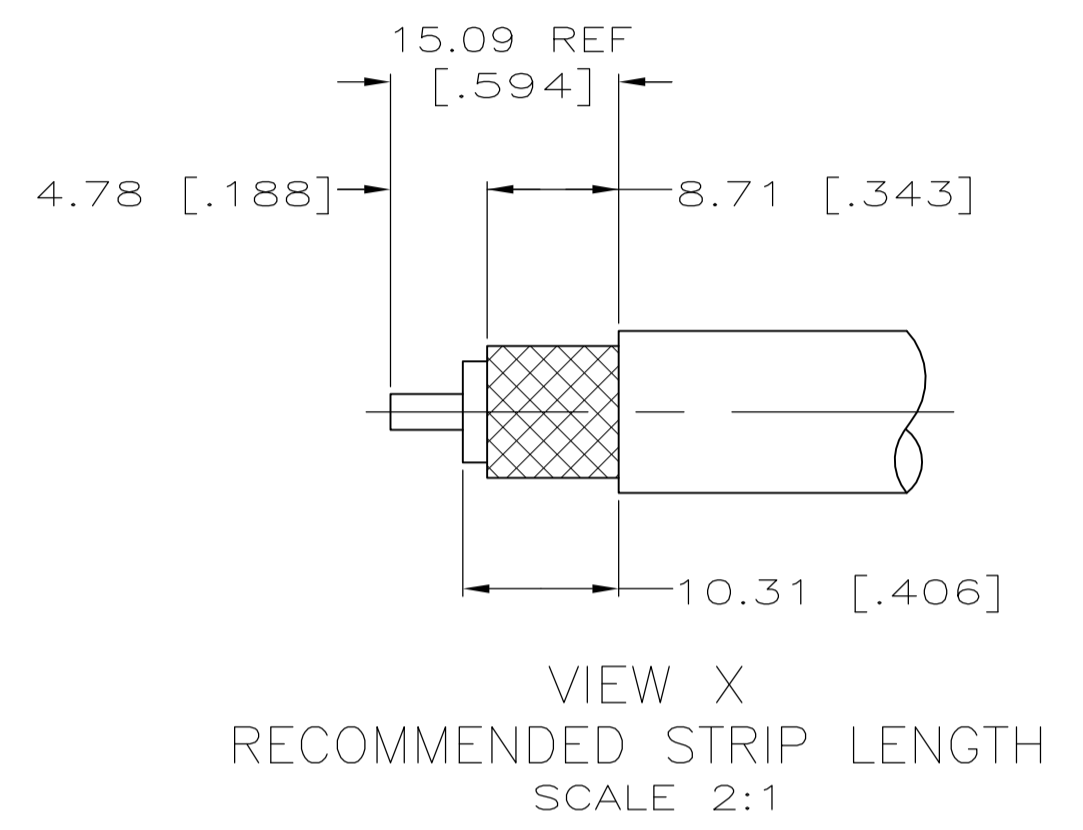
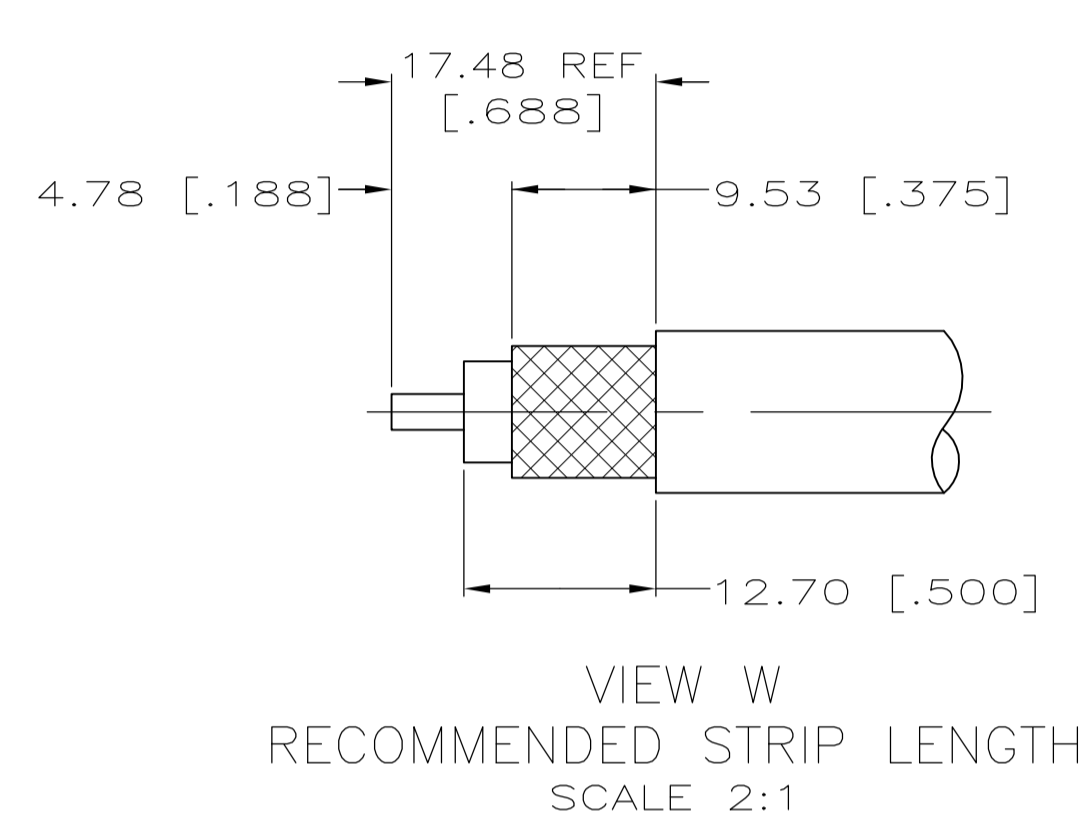
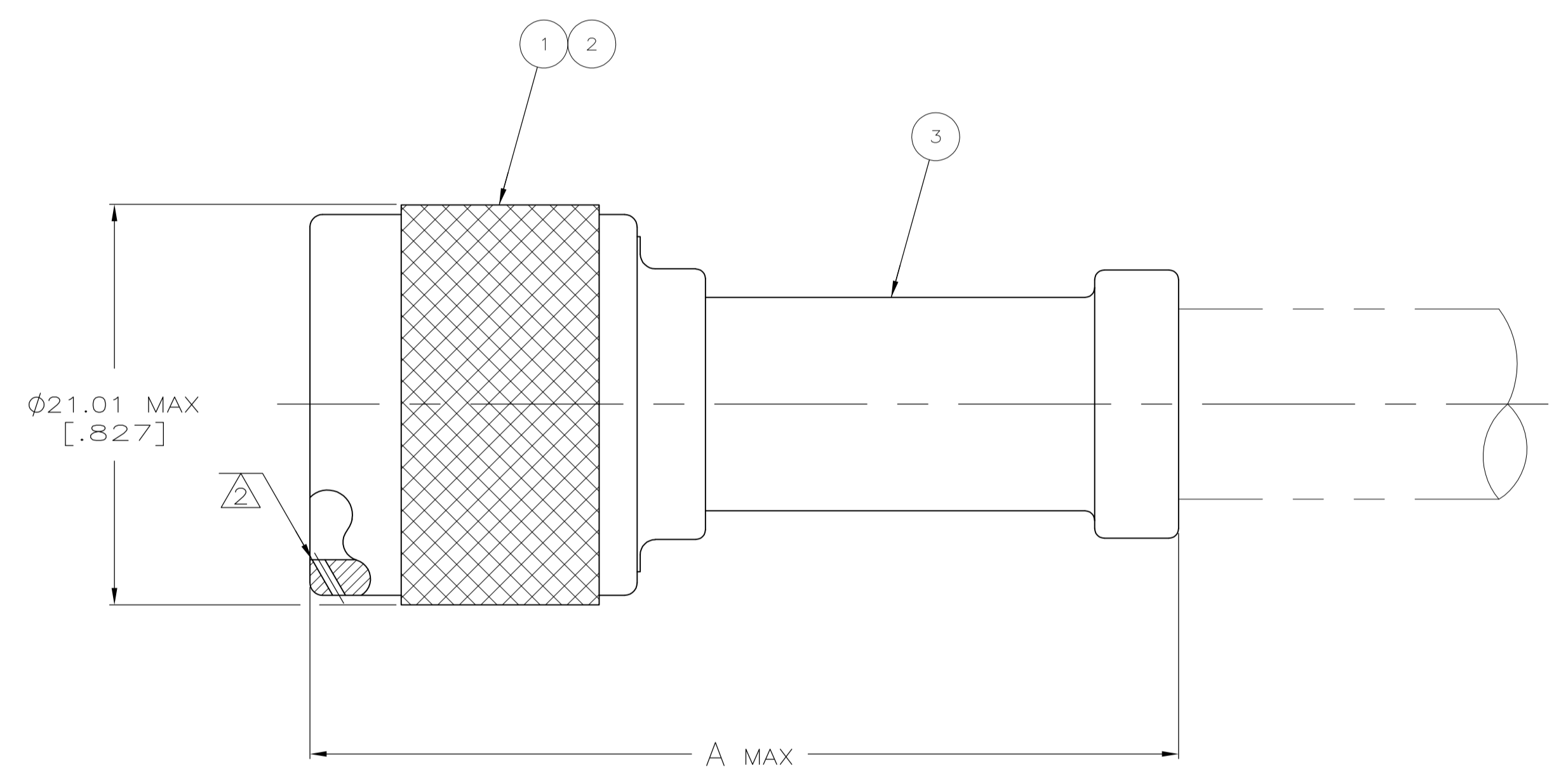


LOC	DIST	REVISIONS			
REV	DATE	DESCRIPTION	DATE	DWN	APVD
AJ	16	A	REV PER EC-0514-0028-05	17DEC05	BC KW
		A1	REVISED PER ECO-09-024606	31OCT09	KK AEG



- PARTS PACKAGED UNASSEMBLED
- THREE SAFETY WIRE HOLES $\phi 0.61$ [.024] MINIMUM, EQUALLY SPACED AROUND CIRCUMFERENCE
- BELDEN 9292 (WITH 95% BRAID COVERAGE)
- SEE I.S. 2028-1
- OBSOLETE PARTS: OBSOLETE CIS STREAMLINING PER D.RENAUD/D.SINISI



OBSOLETE	BRAND REX T-13485	2-5225662-2 AMP	220015-1	47.22 [1.859]	W	9-331987-2	2-51695-9	225081-3	2-5225662-2
OBSOLETE		1-5225662-8 AMP	220015-1	47.22 [1.859]	W	9-331987-0	2-51695-6	225081-3	1-5225662-8
OBSOLETE	RG-141/U & 141A/U	1-5225662-4 AMP	220045-2	42.85 [1.687]	X	9-225560-1	225343-4	225412-6	1-5225662-4
OBSOLETE	RG-393/U	1-5225662-1 AMP	220015-1	47.22 [1.859]	Y	9-225490-0	2-51695-3	225081-3	1-5225662-1
	RG-213/U	5225662-2 AMP	220015-1	47.22 [1.859]	W	9-331987-0	2-51695-1	225081-3	5225662-2
OBSOLETE	RG-9/U,9A/U,9B/U & 214/U	5225662-1 AMP	220015-1	47.22 [1.859]	Y	9-331987-1	2-51695-1	225081-3	5225662-1
	CABLE SIZE	STAMPING	CRIMP TOOL	A	VIEW	3 FERRULE QTY=1	2 CONTACT QTY=1	1 PLUG ASSY QTY=1	PART NUMBER

THIS DRAWING IS A CONTROLLED DOCUMENT.

DIMENSIONS: INCHES	TOLERANCES UNLESS OTHERWISE SPECIFIED:	DIN A FERNANDEZ-DUCKS 31JAN2005	APVD G MICHAEL 31JAN2005	NAME	RESTRICTED TO
0 PLC ± -	1 PLC ± -	2 PLC ± 0.41 [016]	3 PLC ± -	4 PLC ± -	RESTRICTED TO
ANGLES ± -					
MATERIAL	FINISH	WEIGHT 1.3 OZ MAX	A1 00779	C=5225662	RESTRICTED CUSTOMER

Tyco Electronics Corporation
 Harrisburg, PA 17105-3608

PLUG, WEATHERPROOF, SERIES N

SIZE: CAGE CODE: DRAWING NO: 108-12019

SCALE 4:1 SHEET 1 OF 1 REV A1