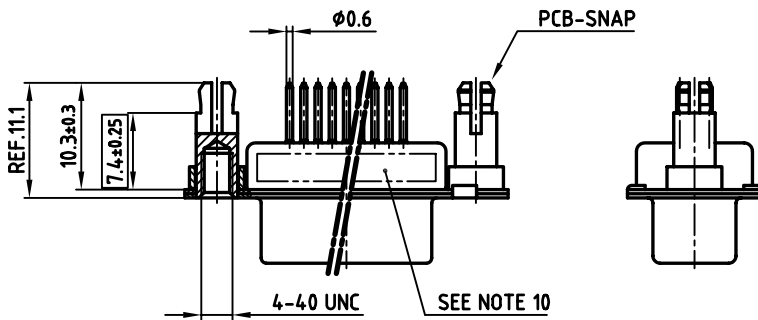
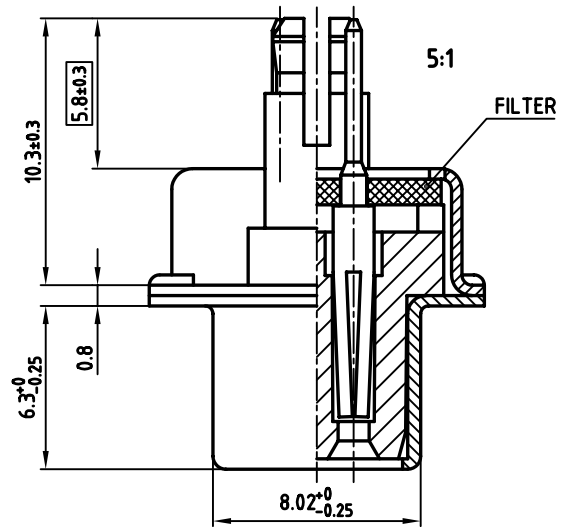
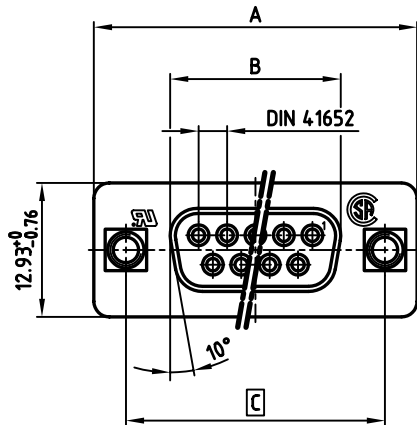


used for: D-SUB FILTER



POS	A ^{-0.76}	B ^{-0.25}	C	Part No:
9	31.19	16.46	25.00 ^{+0.12} / _{-0.13}	248C15030X
15	39.52	24.79	33.30 ^{+0.15} / _{-0.1}	248C15040X
25	53.42	38.50	47.04 ^{+0.13}	248C15050X
37	69.70	54.96	63.50 ^{+0.13}	248C15060X

NOTES:

- METALSHELLS: STEEL; min. 320µ" TIN
- INSULATORS: PBT GF UL 94 V-0, BLACK
- CONTACTS: COPPER ALLOY
- PLATING: min. 30µ" HARD GOLD OVER min. 50µ" NICKEL
- THREADED SPACER CLIP: COPPER ALLOY; min. 200µ" TIN over 80µ" NICKEL
PCB-HOLE: $\phi 3.1 \pm 0.1$; PCB THICKNESS 1.6mm
- P.C.B. HOLE DRILLINGS ON DRAWING NO.: 16K111UA
- CAPACITANCE: 1300pF $\pm 20\%$
- DIELECTRIC WITHSTANDING VOLTAGE: 1500VDC
- MAXIMUM TORQUE VALUE FOR THREAD: 6" LBS
- CONNECTOR IS PART MARKED: PART-NO. CONEC Y/WW
- = CRITICAL DIMENSION: SPC

THIS DRAWING MAY NOT BE COPIED OR REPRODUCED IN ANY WAY, AND MAY NOT BE PASSED ON TO A THIRD PARTY, WITHOUT WRITTEN PERMISSION. OWNERSHIP AND COPYRIGHT OF CONEC Gmbh DO NOT ALTER CAD DRAWING BY HAND

tolerance		scale: 2:1 (5:1)	
		material: SEE NOTES	
2000	date	title:	
drawn	08.11.	D-FILTER FEMALE	
appd.	08.11.	PIN VERSION 9-37 pos.	
norm	DIN 41652	with threaded spacer clip	
d-old		dwg no: AutoCAD 2000	
		DIN-A	
		24K1A056A	
part no: SEE TABLE		3	
		sh: 1/1	