



PRODUCT DATASHEET

Zorya series

last update 6/2/2017

DETAILS

Product Number	C15419_ZORYA-MINI
Family	Zorya
Type	Lens
Color	clear
Diameter	24 mm
Height	14,2 mm
Style	round
Optic Material	PC
Holder Material	
Fastening	glue, tape, snaps, clips, robot
Status	production ready
ROHS Compliant	Yes
Date Updated	6/02/2017



OPTICAL PROPERTIES

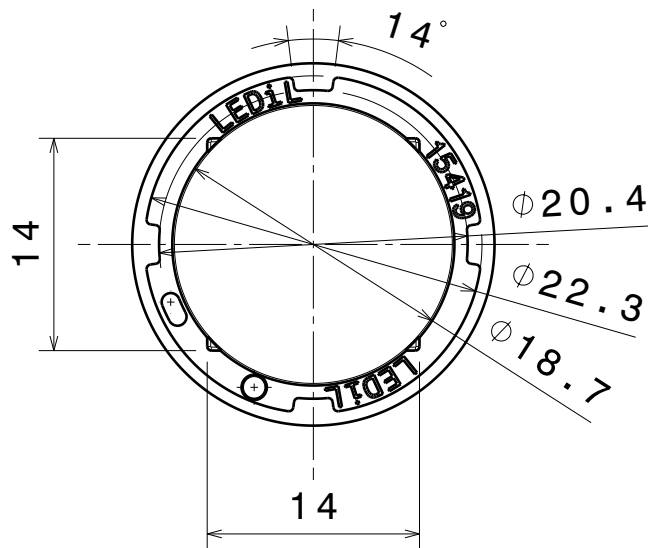
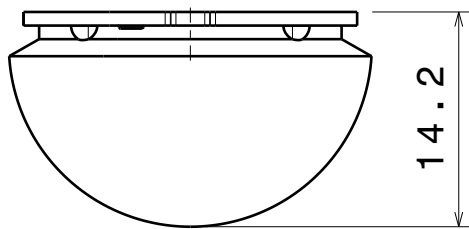
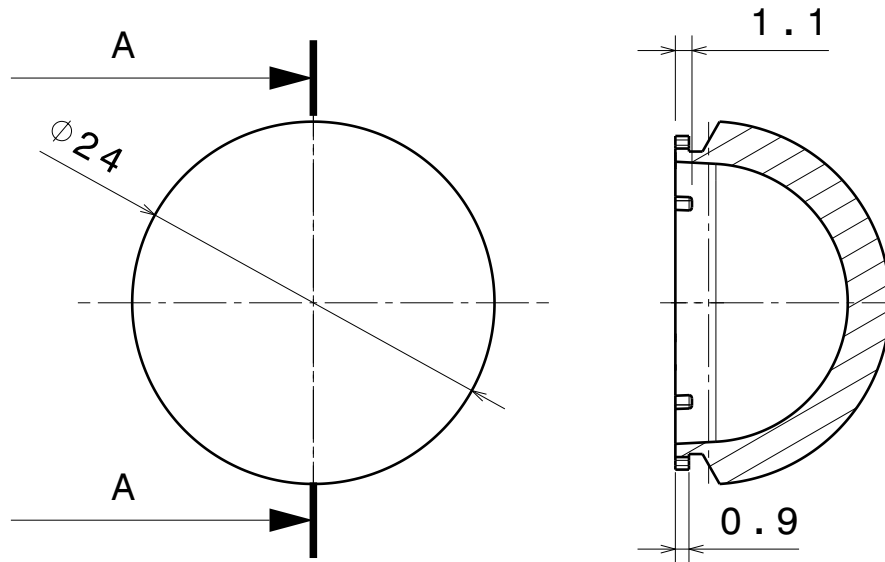
LED	Viewing Angle	Light Beam	Efficiency	cd/lm	Connector
XP-E2	sim: 145	Decorative...	sim: 98 %	sim: 0.110	-
XM-L2	sim: 163	Decorative...	sim: 98 %	sim: 0.102	-
Duris S10	sim: 125	Decorative...	sim: 98 %	sim: 0.096	-

D

C

B

A



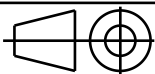
INDEX	PART NO	DESCRIPTION	MATERIAL	COLOUR
			PC	Clear

Tolerances if not otherwise shown
According to DIN ISO 2768-1
Linear measures:
Up to 30mm class M, otherwise class C.
According to DIN ISO 2768-2
Form and position: class L

LEDiL

Ledil Oy
Salorankatu 10
FIN 24240 SALO
Finland

THIRD ANGLE PROJECTION:



DRAWING TITLE

ZORYA-MINI

This drawing is the property of LEDiL Oy. It may not be reproduced, copied or communicated without a written agreement with LEDiL Oy.

SIZE	PART NUMBER
A4	-

SCALE	2:1	WEIGHT	-	SHEET	1/1
-------	-----	--------	---	-------	-----

D

A

NOTE: The typical divergence will be changed by different color, chip size and chip position tolerance. The typical total divergence is the full angle measured where the luminous intensity is half of the peak value.