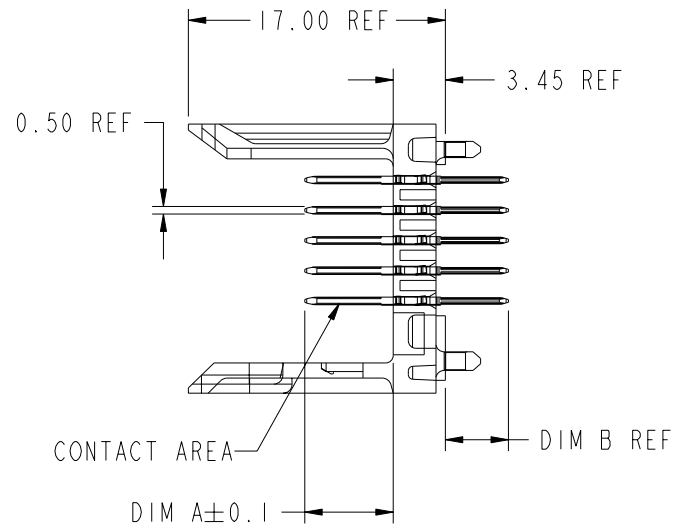
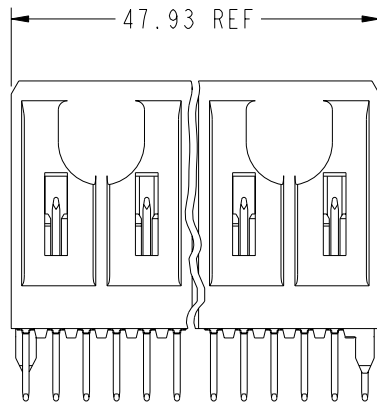
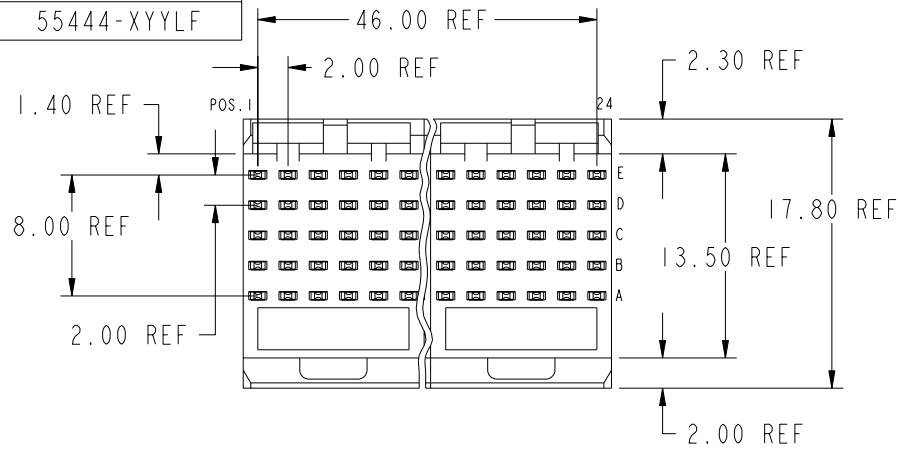




This document is the property of and embodies CONFIDENTIAL and PROPRIETARY information of FCI. No part of the information shown on this document may be used in any way or disclosed to others without the written consent of FCI. Copyright FCI.

PRODUCT NUMBER
55444-XYX
55444-XYXLF

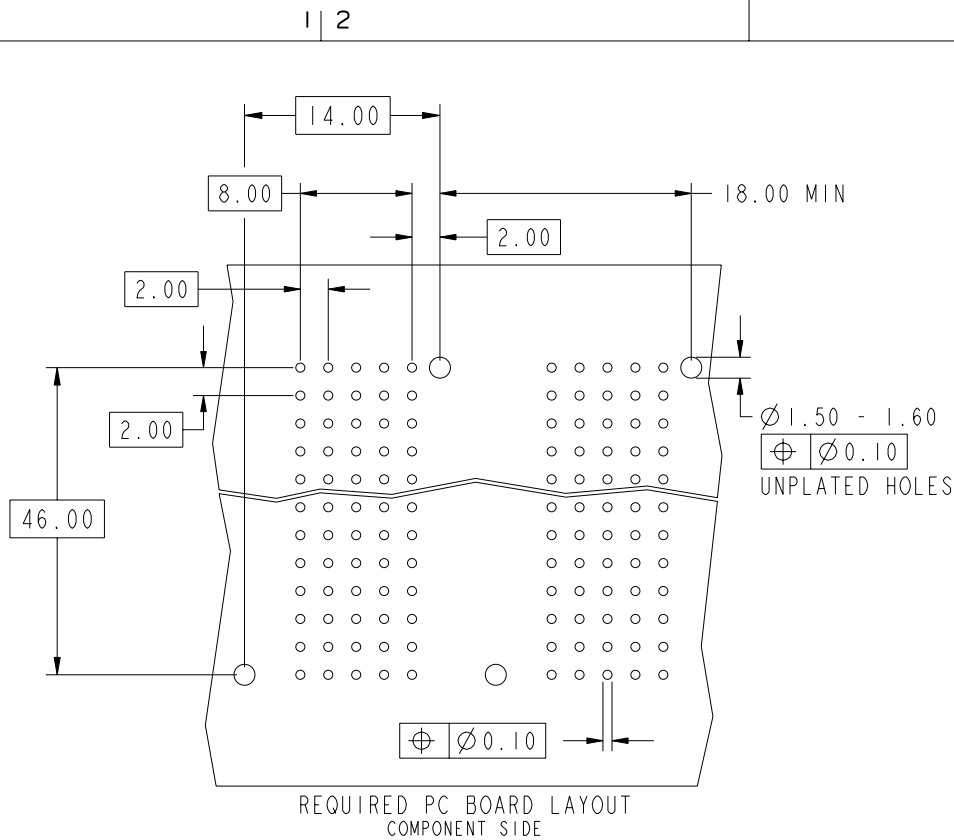


PLATING IN CONTACT AREA		
DASH NUMBER	PERFORMANCE LEVEL	NOTES
-1YY	TELCORDIA CO	-
-2YY	TELECOM CLASS	-
-3YY	IEC CLASS I	-
-5YY	TELCORDIA UE	-
-9YY	0.76 GXT	-
-1YYLF	TELCORDIA CO	SEE NOTE 8
-2YYLF	TELECOM CLASS	SEE NOTE 8
-5YYLF	TELCORDIA UE	SEE NOTE 8

mat'l code				tolerances unless otherwise specified			CUSTOMER		FCI		www.fciconnect.com	
ltr	ecn no.	dr	date	linear	0.X ±0.3		COPY		title METRAL SIGNAL HEADER 4 MOD, 5 ROW SPECIAL STB			
A	V02565	TAB	10/02/00		0.XX ±0.13		projection					
B	V10907	CGD	02/22/01		.XXX ±.051							
C	V11659	CGD	06/04/01	angles	0° ±2°				product family		code	
D	V20758	CGD	04/25/02	dr	T.BRUNGARD	11/19/99			METRAL		213	
E	V21671	TAB	10/21/02	engr	M.STRAWSER	11/19/99			size		sheet	
F	V05-0393	DAI	04/26/05	chr	M.STRAWSER	11/19/99			55444		1 of 6	
G	V06-0492	DCH	2006-05-23	appd	M.STRAWSER	02/29/00			A			
sheet		revision		G	G	G	G					
index		sheet		1	2	3	4					



This document is the property of and embodies
 CONFIDENTIAL and PROPRIETARY information of FCI.
 No part of the information shown on this
 document may be used in any way or disclosed
 to others without the written consent of FCI.
 Copyright FCI.



REQUIRED PC BOARD LAYOUT
 COMPONENT SIDE

SEE PRINT 58351 FOR
 ADDITIONAL PCB INFORMATION

KEY		
CODE	DIMENSIONS	
	DIM "A" MATE	DIM "B" TAIL
1	5.00	4.25
2	5.75	4.25
3	6.50	4.25

mat'l code				tolerances unless otherwise specified		CUSTOMER		FCI		www.fciconnect.com	
ltr	ecm no.	dr	date	linear	0.X ±0.3	COPY		projection	title		
G					0.XX ±0.13	MM			METRAL SIGNAL HEADER		
					.XXX ±.051	1:1			4 MOD, 5 ROW SPECIAL STB		
				angles	0° ±2°	scale		product family		code	
				dr	T.BRUNGARD	11/19/99	A		METRAL		213
				enr	M.STRAWSER	11/19/99	size		dwg no		sheet
				chr	M.STRAWSER	11/19/99	55444				2
				appd	M.STRAWSER	02/29/00					
sheet index	revision sheet										

1 | 2

3 |

4

METRAL P/N	ROW	CONTACT CODE MOD. 1					MOD. 2					MOD. 3					MOD. 4							
		1	2	3	4	5	6	7	8	9	10	11	12	13	14	15	16	17	18	19	20	21	22	23
55444-X01 SEE NOTE 9 LEAD FREE OPTION	E	1	1	1	1	1	1	1	1	1	1	1	1	1	1	1	1	1	1	1	1	1	1	1
	D	1	1	1	1	1	1	1	1	1	1	1	1	1	1	1	1	1	1	1	1	1	1	1
	C	1	1	1	1	1	1	1	1	1	1	1	1	1	1	1	1	1	1	1	1	1	1	1
	B	1	1	1	1	1	1	1	1	1	1	1	1	1	1	1	1	1	1	1	1	1	1	1
	A	1	1	1	1	1	1	1	1	1	1	1	1	1	1	1	1	1	1	1	1	1	1	1

METRAL P/N	ROW	CONTACT CODE MOD. 1					MOD. 2					MOD. 3					MOD. 4								
		1	2	3	4	5	6	7	8	9	10	11	12	13	14	15	16	17	18	19	20	21	22	23	24
55444-X05 SEE NOTE 9 LEAD FREE OPTION	E	OBSOLETE																							
	D	OBSOLETE																							
	C	OBSOLETE																							
	B	OBSOLETE																							
	A	OBSOLETE																							

METRAL P/N	ROW	CONTACT CODE MOD. 1					MOD. 2					MOD. 3					MOD. 4								
		1	2	3	4	5	6	7	8	9	10	11	12	13	14	15	16	17	18	19	20	21	22	23	24
55444-X02 SEE NOTE 9 LEAD FREE OPTION	E	OBSOLETE																							
	D	OBSOLETE																							
	C	OBSOLETE																							
	B	OBSOLETE																							
	A	OBSOLETE																							

METRAL P/N	ROW	CONTACT CODE MOD. 1					MOD. 2					MOD. 3					MOD. 4								
		1	2	3	4	5	6	7	8	9	10	11	12	13	14	15	16	17	18	19	20	21	22	23	24
55444-X06 SEE NOTE 9 LEAD FREE OPTION	E	OBSOLETE																							
	D	OBSOLETE																							
	C	OBSOLETE																							
	B	OBSOLETE																							
	A	OBSOLETE																							

METRAL P/N	ROW	CONTACT CODE MOD. 1					MOD. 2					MOD. 3					MOD. 4								
		1	2	3	4	5	6	7	8	9	10	11	12	13	14	15	16	17	18	19	20	21	22	23	24
55444-X03 SEE NOTE 9 LEAD FREE OPTION	E	OBSOLETE																							
	D	OBSOLETE																							
	C	OBSOLETE																							
	B	OBSOLETE																							
	A	OBSOLETE																							

METRAL P/N	ROW	CONTACT CODE MOD. 1					MOD. 2					MOD. 3					MOD. 4								
		1	2	3	4	5	6	7	8	9	10	11	12	13	14	15	16	17	18	19	20	21	22	23	24
55444-X07 SEE NOTE 9 LEAD FREE OPTION	E	OBSOLETE																							
	D	OBSOLETE																							
	C	OBSOLETE																							
	B	OBSOLETE																							
	A	OBSOLETE																							

A

A



METRAL P/N	ROW	CONTACT CODE MOD. 1					MOD. 2					MOD. 3					MOD. 4							
		1	2	3	4	5	6	7	8	9	10	11	12	13	14	15	16	17	18	19	20	21	22	23
55444-X04 SEE NOTE 9 LEAD FREE OPTION	E	3	3	3	3	3	3	3	3	3	3	3	3	3	3	3	3	3	3	3	3	3	3	3
	D	3	3	3	3	3	3	3	3	3	3	3	3	3	3	3	3	3	3	3	3	3	3	3
	C	3	3	3	3	3	3	3	3	3	3	3	3	3	3	3	3	3	3	3	3	3	3	3
	B	3	3	3	3	3	3	3	3	3	3	3	3	3	3	3	3	3	3	3	3	3	3	3
	A	3	3	3	3	3	3	3	3	3	3	3	3	3	3	3	3	3	3	3	3	3	3	3

METRAL P/N	ROW	CONTACT CODE MOD. 1					MOD. 2					MOD. 3					MOD. 4							
		1	2	3	4	5	6	7	8	9	10	11	12	13	14	15	16	17	18	19	20	21	22	23
55444-X08 SEE NOTE 9 LEAD FREE OPTION	E	2	2	2	2	2	2	2	2	2	2	2	2	2	2	2	2	2	2	2	2	2	2	2
	D	2	2	2	2	2	2	2	2	2	2	2	2	2	2	2	2	2	2	2	2	2	2	2
	C	2	2	2	2	2	2	2	2	2	2	2	2	2	2	2	2	2	2	2	2	2	2	2
	B	2	2	2	2	2	2	2	2	2	2	2	2	2	2	2	2	2	2	2	2	2	2	2
	A	2	2	2	2	2	2	2	2	2	2	2	2	2	2	2	2	2	2	2	2	2	2	2

This document is the property of and embodies CONFIDENTIAL and PROPRIETARY information of FCI. No part of the information shown on this document may be used in any way or disclosed to others without the written consent of FCI. Copyright FCI.

B

B

mat'l code				--				tolerances unless otherwise specified				CUSTOMER				FCI www.fciconnect.com			
ltr	ecr no.	dr	date	linear	0.X ± 0.3				COPY				title						
G					0.XX ± 0.13				projection				METRAL SIGNAL HEADER 4 MOD, 5 ROW SPECIAL STB						
					angles	.XXX ± .051				MM				product family METRAL code					
				dr		T.BRUNGARD	11/19/99			← MM →				size					
				enrg	M.STRAWSER	11/19/99			scale				dwg no						
				chr	M.STRAWSER	11/19/99			1:1				A						
				appd	M.STRAWSER	02/29/00							55444						
sheet index		revision sheet										cage code							
												22526							

1 | 2

3 |

4

1 | 2

3 |

4

METRAL P/N	ROW	CONTACT CODE MOD. 1					MOD. 2					MOD. 3					MOD. 4								
		1	2	3	4	5	6	7	8	9	10	11	12	13	14	15	16	17	18	19	20	21	22	23	24
55444-X09 SEE NOTE 9 LEAD FREE OPTION	E	OBSOLETE																							
	D																								
	C																								
	B																								
	A																								

METRAL P/N	ROW	CONTACT CODE MOD. 1					MOD. 2					MOD. 3					MOD. 4								
		1	2	3	4	5	6	7	8	9	10	11	12	13	14	15	16	17	18	19	20	21	22	23	24
55444-X13 SEE NOTE 9 LEAD FREE OPTION	E	OBSOLETE																							
	D																								
	C																								
	B																								
	A																								

METRAL P/N	ROW	CONTACT CODE MOD. 1					MOD. 2					MOD. 3					MOD. 4								
		1	2	3	4	5	6	7	8	9	10	11	12	13	14	15	16	17	18	19	20	21	22	23	24
55444-X10 SEE NOTE 9 LEAD FREE OPTION	E	OBSOLETE																							
	D																								
	C																								
	B																								
	A																								

METRAL P/N	ROW	CONTACT CODE MOD. 1					MOD. 2					MOD. 3					MOD. 4								
		1	2	3	4	5	6	7	8	9	10	11	12	13	14	15	16	17	18	19	20	21	22	23	24
55444-X14 SEE NOTE 9 LEAD FREE OPTION	E	OBSOLETE																							
	D																								
	C																								
	B																								
	A																								

METRAL P/N	ROW	CONTACT CODE MOD. 1					MOD. 2					MOD. 3					MOD. 4								
		1	2	3	4	5	6	7	8	9	10	11	12	13	14	15	16	17	18	19	20	21	22	23	24
55444-X11 SEE NOTE 9 LEAD FREE OPTION	E	OBSOLETE																							
	D																								
	C																								
	B																								
	A																								

METRAL P/N	ROW	CONTACT CODE MOD. 1					MOD. 2					MOD. 3					MOD. 4								
		1	2	3	4	5	6	7	8	9	10	11	12	13	14	15	16	17	18	19	20	21	22	23	24
55444-X15 SEE NOTE 9 LEAD FREE OPTION	E	OBSOLETE																							
	D																								
	C																								
	B																								
	A																								

METRAL P/N	ROW	CONTACT CODE MOD. 1					MOD. 2					MOD. 3					MOD. 4								
		1	2	3	4	5	6	7	8	9	10	11	12	13	14	15	16	17	18	19	20	21	22	23	24
55444-X12 SEE NOTE 9 LEAD FREE OPTION	E	OBSOLETE																							
	D																								
	C																								
	B																								
	A																								

METRAL P/N	ROW	CONTACT CODE MOD. 1					MOD. 2					MOD. 3					MOD. 4								
		1	2	3	4	5	6	7	8	9	10	11	12	13	14	15	16	17	18	19	20	21	22	23	24
55444-X16 SEE NOTE 9 LEAD FREE OPTION	E	OBSOLETE																							
	D																								
	C																								
	B																								
	A																								



This document is the property of and embodies CONFIDENTIAL and PROPRIETARY information of FCI. No part of the information shown on this document may be used in any way or disclosed to others without the written consent of FCI. Copyright FCI.

mat'l code				tolerances unless otherwise specified				CUSTOMER				www.fciconnect.com			
ltr	ecr no.	dr	date	linear	0.X ±0.3			COPY				title			
G					0.XX ±0.13			projection				METRAL SIGNAL HEADER			
					angles	.XXX ±.051							4 MOD, 5 ROW SPECIAL STB		
				dr		T.BRUNGARD	11/19/99					product family		METRAL	code
				enr	M.STRAWSER	11/19/99	scale				size	dwg no	213		
				chr	M.STRAWSER	11/19/99	1:1				A	55444	sheet		
				appd	M.STRAWSER	02/29/00							4		
sheet index		revision sheet													

1 | 2

Pro/E

3 |

cage code 22526

4

1 | 2

3 |

4

METRAL P/N	ROW	CONTACT CODE MOD. 1					MOD. 2					MOD. 3					MOD. 4								
		1	2	3	4	5	6	7	8	9	10	11	12	13	14	15	16	17	18	19	20	21	22	23	24
55444-X17 SEE NOTE 9 LEAD FREE OPTION	E	OBSOLETE																							
	D																								
	C																								
	B																								
	A																								

METRAL P/N	ROW	CONTACT CODE MOD. 1					MOD. 2					MOD. 3					MOD. 4								
		1	2	3	4	5	6	7	8	9	10	11	12	13	14	15	16	17	18	19	20	21	22	23	24
55444-X21 SEE NOTE 9 LEAD FREE OPTION	E	OBSOLETE																							
	D																								
	C																								
	B																								
	A																								

METRAL P/N	ROW	CONTACT CODE MOD. 1					MOD. 2					MOD. 3					MOD. 4								
		1	2	3	4	5	6	7	8	9	10	11	12	13	14	15	16	17	18	19	20	21	22	23	24
55444-X18 SEE NOTE 9 LEAD FREE OPTION	E	OBSOLETE																							
	D																								
	C																								
	B																								
	A																								

METRAL P/N	ROW	CONTACT CODE MOD. 1					MOD. 2					MOD. 3					MOD. 4								
		1	2	3	4	5	6	7	8	9	10	11	12	13	14	15	16	17	18	19	20	21	22	23	24
55444-X22 SEE NOTE 9 LEAD FREE OPTION	E	OBSOLETE																							
	D																								
	C																								
	B																								
	A																								

METRAL P/N	ROW	CONTACT CODE MOD. 1					MOD. 2					MOD. 3					MOD. 4								
		1	2	3	4	5	6	7	8	9	10	11	12	13	14	15	16	17	18	19	20	21	22	23	24
55444-X19 SEE NOTE 9 LEAD FREE OPTION	E	OBSOLETE																							
	D																								
	C																								
	B																								
	A																								

METRAL P/N	ROW	CONTACT CODE MOD. 1					MOD. 2					MOD. 3					MOD. 4								
		1	2	3	4	5	6	7	8	9	10	11	12	13	14	15	16	17	18	19	20	21	22	23	24
55444-X23 SEE NOTE 9 LEAD FREE OPTION	E	OBSOLETE																							
	D																								
	C																								
	B																								
	A																								

METRAL P/N	ROW	CONTACT CODE MOD. 1					MOD. 2					MOD. 3					MOD. 4								
		1	2	3	4	5	6	7	8	9	10	11	12	13	14	15	16	17	18	19	20	21	22	23	24
55444-X20 SEE NOTE 9 LEAD FREE OPTION	E	OBSOLETE																							
	D																								
	C																								
	B																								
	A																								

METRAL P/N	ROW	CONTACT CODE MOD. 1					MOD. 2					MOD. 3					MOD. 4								
		1	2	3	4	5	6	7	8	9	10	11	12	13	14	15	16	17	18	19	20	21	22	23	24
55444-X24 SEE NOTE 9 LEAD FREE OPTION	E	OBSOLETE																							
	D																								
	C																								
	B																								
	A																								



This document is the property of and embodies
 CONFIDENTIAL and PROPRIETARY information of FCI.
 No part of the information shown on this
 document may be used in any way or disclosed
 to others without the written consent of FCI.
 Copyright FCI.

mat'l code				tolerances unless otherwise specified				CUSTOMER				 www.fciconnect.com			
ltr	ecr no.	dr	date	linear	0.X ±0.3			COPY				title			
G					0.XX ±0.13			projection				METRAL SIGNAL HEADER			
					angles	.XXX ±.051							4 MOD, 5 ROW SPECIAL STB		
				dr		T.BRUNGARD	11/19/99					product family		METRAL	code
				enr	M.STRAWSE	11/19/99	scale				size	dwg no	213		
				chr	M.STRAWSE	11/19/99	1:1				A	55444	sheet		
				appd	M.STRAWSE	02/29/00							5		
sheet index	revision sheet														

1 | 2

Pro/E

3 |

cage code 22526

4

METRAL P/N	ROW	CONTACT CODE MOD. 1				MOD. 2				MOD. 3				MOD. 4											
		1	2	3	4	5	6	7	8	9	10	11	12	13	14	15	16	17	18	19	20	21	22	23	24
55444-X25 SEE NOTE 9 LEAD FREE OPTION	E	OBSOLETE																							
	D																								
	C																								
	B																								
	A																								

NOTES:

1. FOR DIM A AND B SEE SHEET 2 AND UP.
2. BODY MATERIAL: LIQUID CRYSTAL
POLYMER 30 % GLASS.
FLAME RETARDANT ACC. UL 94-V0.
3. PIN MATERIAL:
PHOSPHOR BRONZE.
4. PLATING ON PRESS-FIT TAIL:
55444 -XXX IS SnPb
55444-XYYLF IS SN (LEAD FREE)
PLATING ON CONTACT AREA CONFORMS TO PERFORMANCE LEVEL SHOWN IN TABLE.
5. PRODUCT MARKING:
PART NUMBER DESIGNATION & BATCH I.D.
6. ALL PRODUCTS WITH PART NUMBERS SHOWN IN SUBSEQUENT TABLES WILL BE PACKAGED IN TUBES. IF TRAY PACKAGING IS REQUIRED, A SUFFIX "P" WILL BE ADDED TO THE END OF THE PART NUMBER. EXAMPLE: XXXXX-XXXP OR XXXXX-XXXPLF
7. PRODUCT SPECIFICATION GS-12-180
APPLICATION SPECIFICATION BUS-20-075
8. THE PRODUCTS WHERE THE PART NUMBER ENDS IN LF MEET THE EUROPEAN UNION DIRECTIVES AND OTHER COUNTRY REGULATIONS AS DESCRIBED IN GS-22-008.
9. FOR LEAD FREE PART NUMBERS, ADD AN "LF" SUFFIX.
EXAMPLE: 55444-X01LF
10. ALL PRODUCTS EXCEPT THOSE WITH PART NUMBERS CONTAINING (DRAWING NO.)-N1--- OR (DRAWING NO.)-N5---WILL WITHSTAND EXPOSURE TO 260°C FOR 60 SECONDS IN A CONVECTION, INFRA-RED OR VAPOR PHASE REFLOW OVEN. PART NUMBERS (DRAWING NO.)-N1--- AND (DRAWINGS NO.)-N5---WILL NOT WITHSTAND REFLOW AND Au CONTACT SURFACE OF THE CONTACTS SHALL BE EXPOSED TO A MAXIMUM 140°C FOR NO LONGER THAN 15 SECONDS IN A WAVE SOLDER APPLICATION.

A

A



This document is the property of and embodies CONFIDENTIAL and PROPRIETARY information of FCI. No part of the information shown on this document may be used in any way or disclosed to others without the written consent of FCI. Copyright FCI.

B

B

mat'l code		--		tolerances unless otherwise specified		CUSTOMER		 www.fciconnect.com		
ltr	ecr no.	dr	date	linear	0.X ±0.3		COPY		title METRAL SIGNAL HEADER 4 MOD, 5 ROW SPECIAL STB	
G					0.XX ±0.13		projection			
					.XXX ±.051					
				angles	0° ±2°				product family METRAL	
		dr	T.BRUNGARD	11/19/99	MM 		code			213
		enr	M.STRAWSER	11/19/99			size			dwg no
		chr	M.STRAWSER	11/19/99	scale 1:1		A			55444
		appd	M.STRAWSER	02/29/00			sheet			6
sheet index	revision sheet									