


**SAC-3P- 5,0-PVC/M12FR**

Order No.: 1579051

<http://eshop.phoenixcontact.de/phoenix/treeViewClick.do?UID=1579051>

Sensor/Actuator cable, 3-position, PVC, Black RAL 9005, Free  
conductor end, on Socket, angled M12, A-coded, Cable length: 5 m

**Commercial data**

GTIN (EAN)	 4 046356 482806
Note	Made-to-order
sales group	D130
Pack	1 pcs.
Customs tariff	85444290

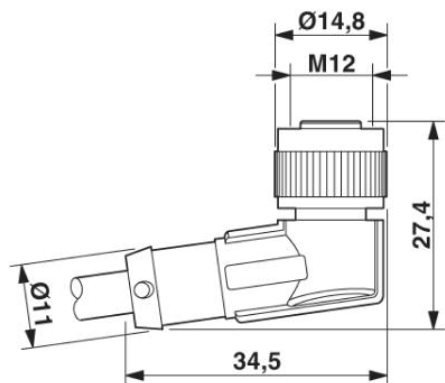
**Product notes**WEEE/RoHS-compliant since:  
01/08/2009

[http://  
www.download.phoenixcontact.com](http://www.download.phoenixcontact.com)  
Please note that the data given  
here has been taken from the  
online catalog. For comprehensive  
information and data, please refer  
to the user documentation. The  
General Terms and Conditions of  
Use apply to Internet downloads.

### Diagrams/Drawings

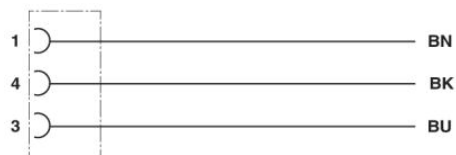
Dimensioned drawing

M12 x 1 female connector, angled



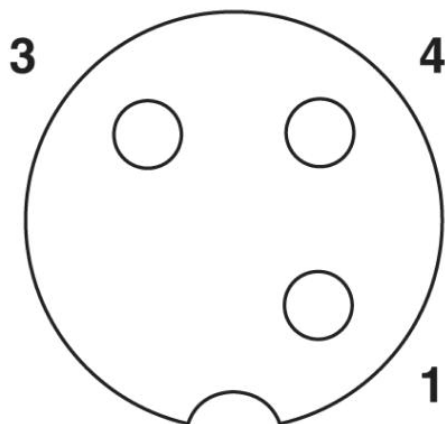
Circuit diagram

Contact assignment of the M12 socket



Schematic diagram

Pin assignment M12 socket, 3-pos., A-coded, view female side



**Address**

PHOENIX CONTACT Deutschland GmbH  
Flachmarktstr. 8  
32825 Blomberg, Germany  
Phone +49 5235 3 12000  
Fax +49 5235 3 41200  
<http://www.phoenixcontact.de>



© 2011 Phoenix Contact  
Technical modifications reserved;