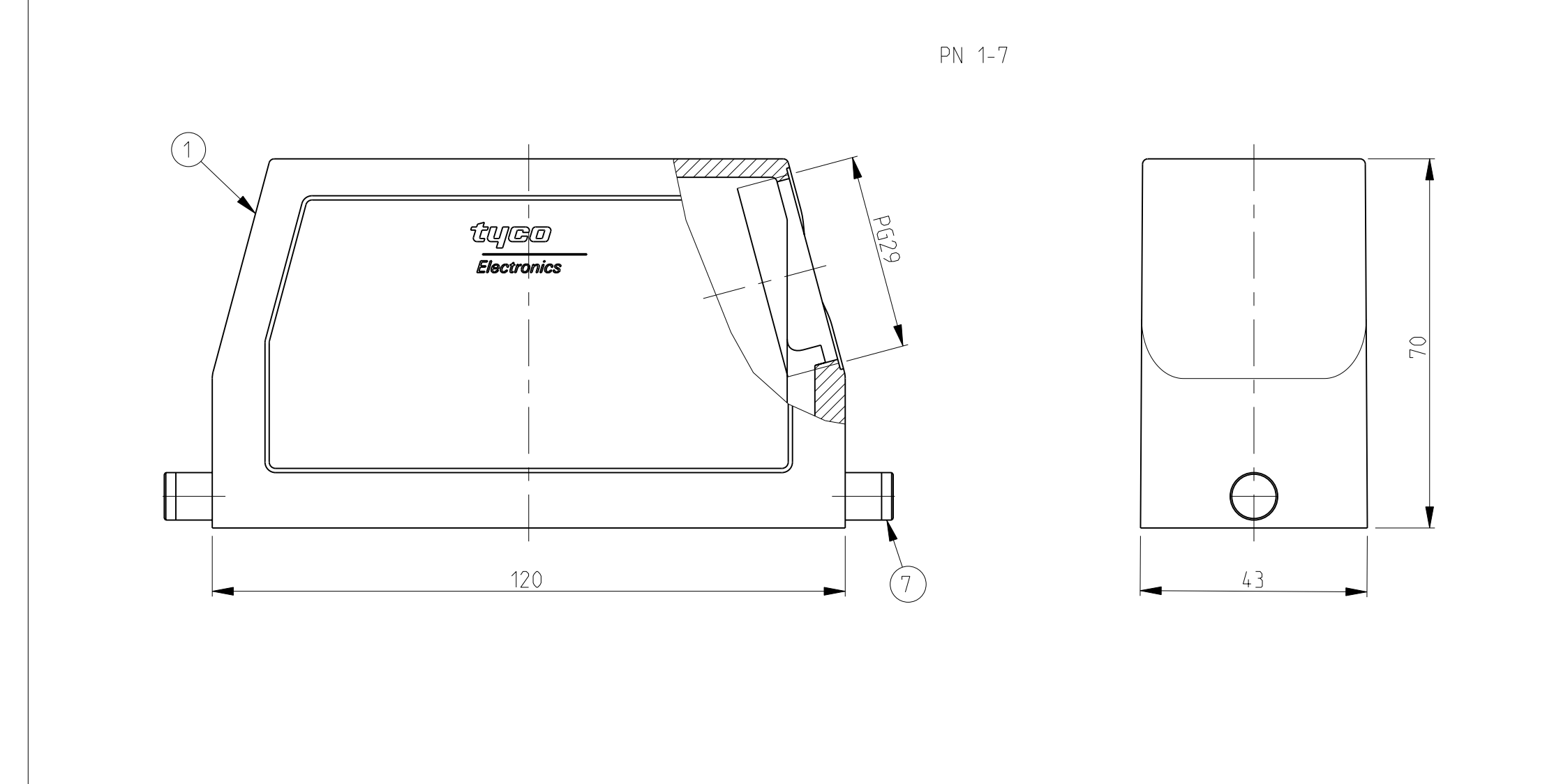
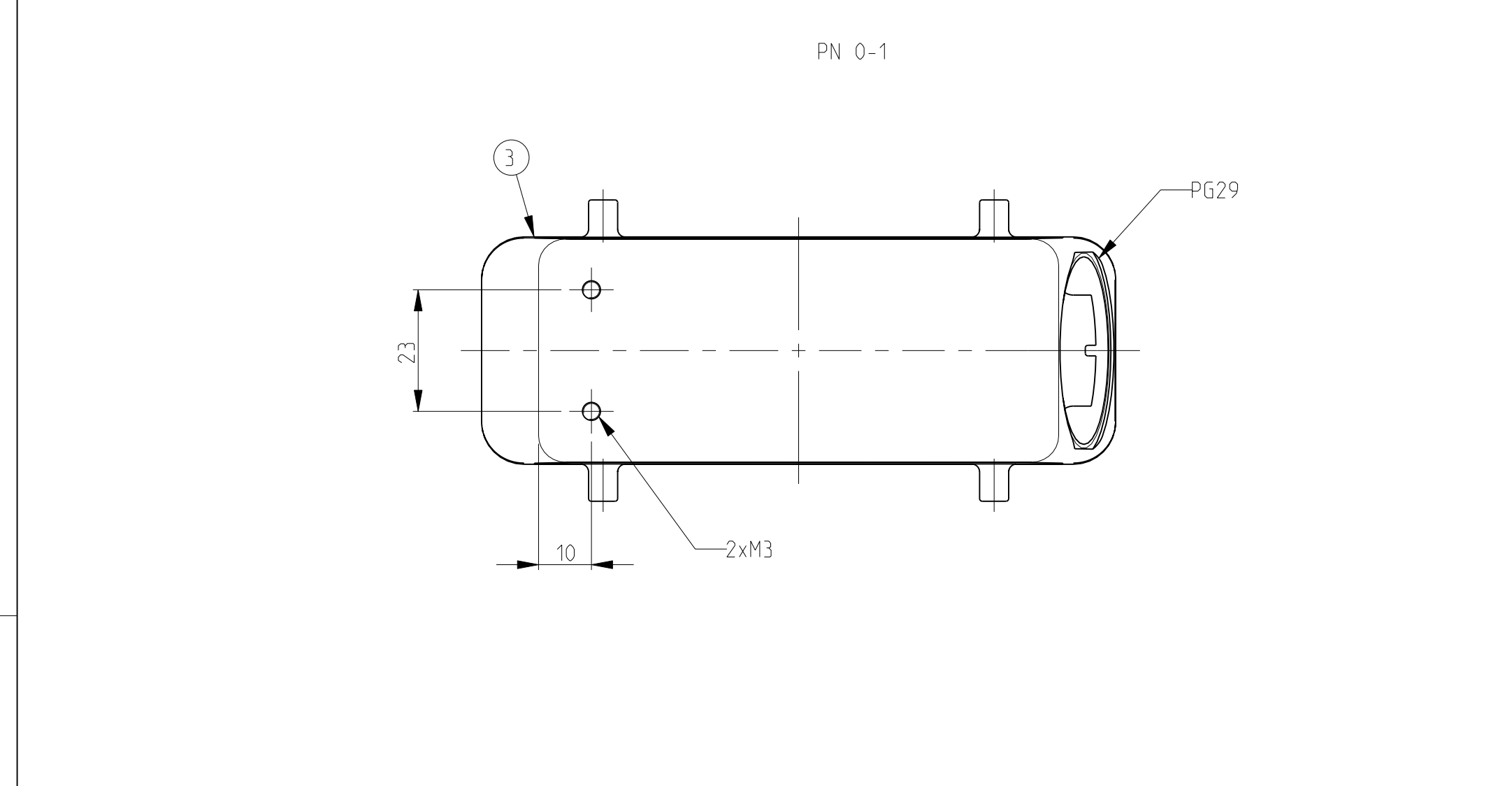
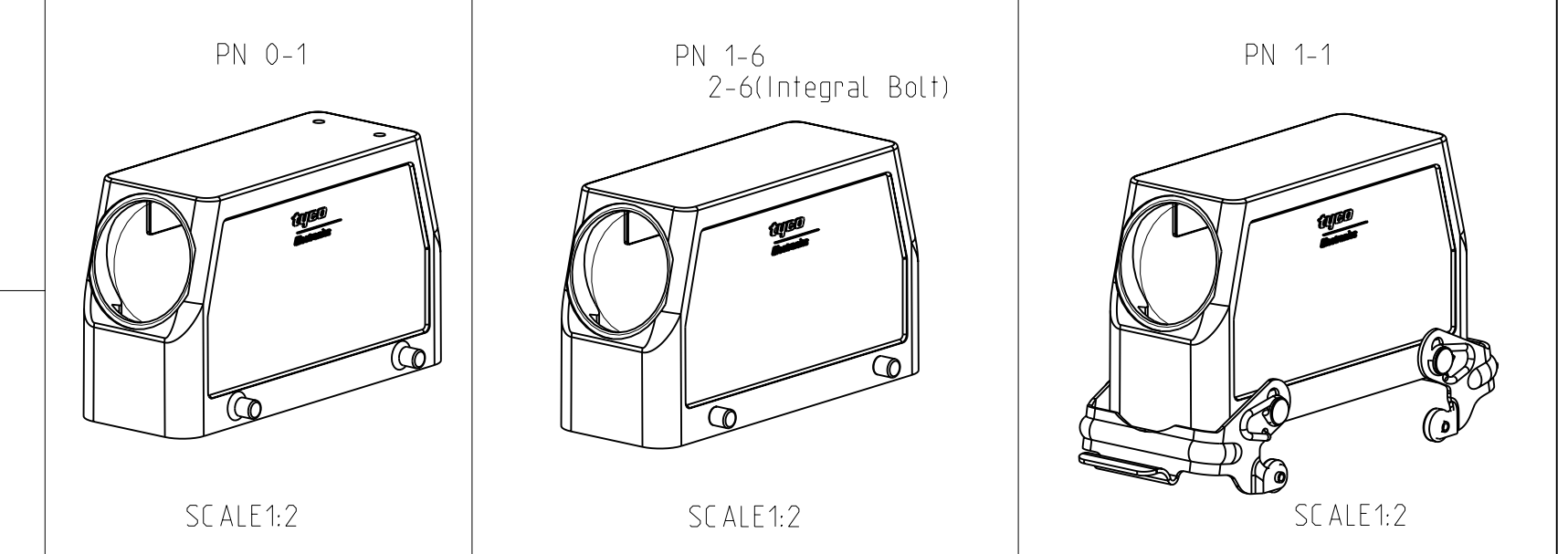
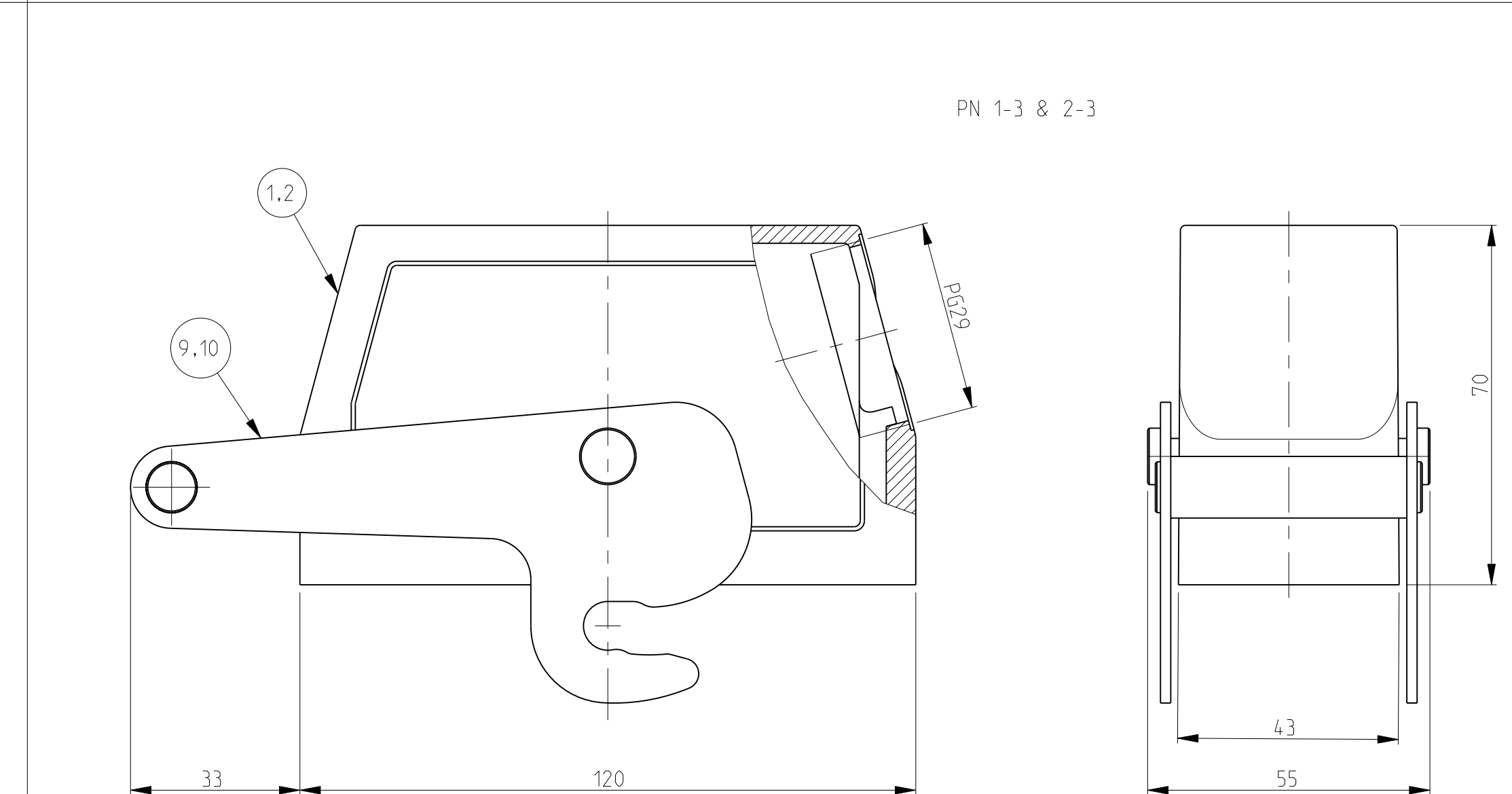
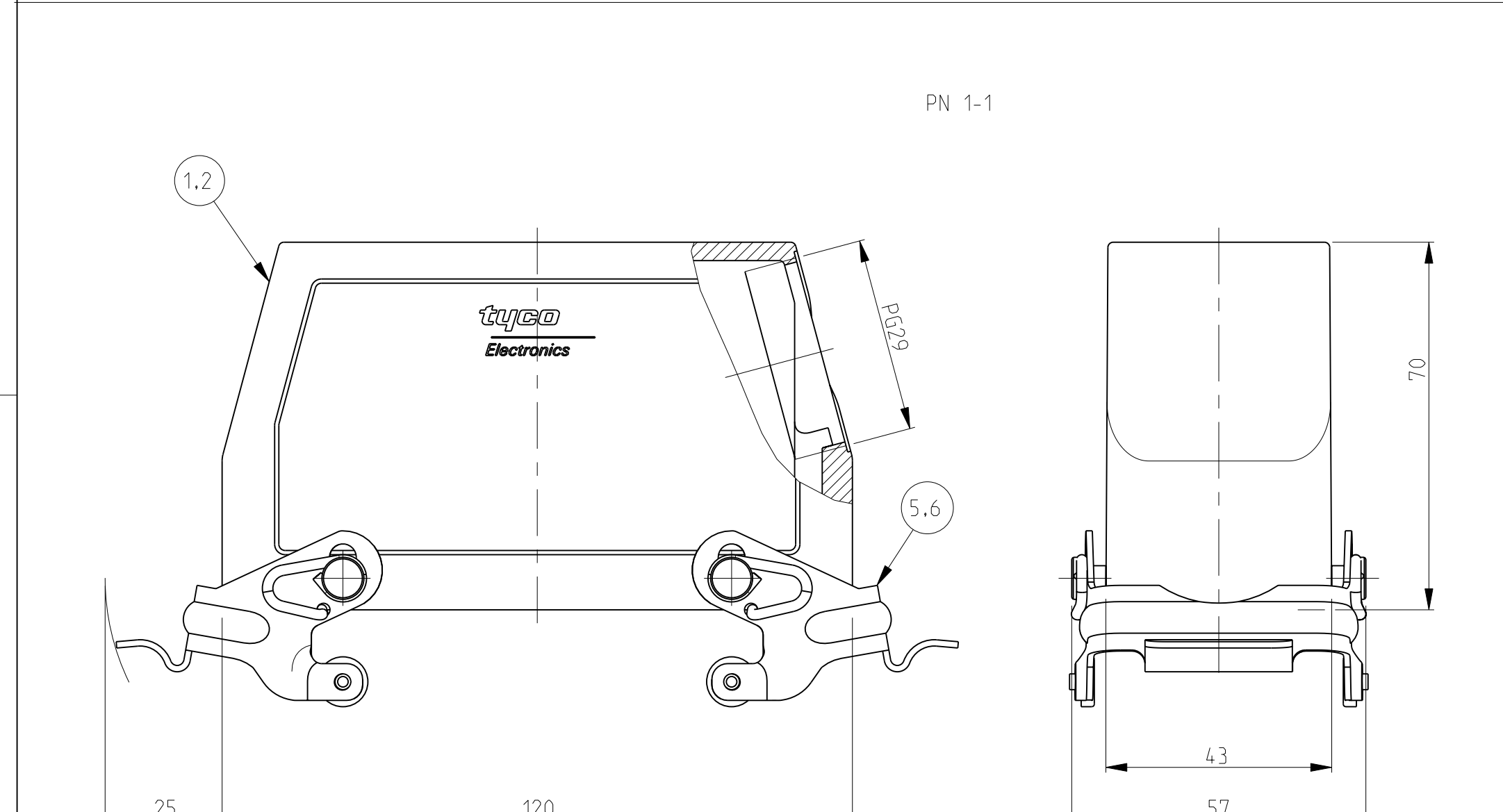
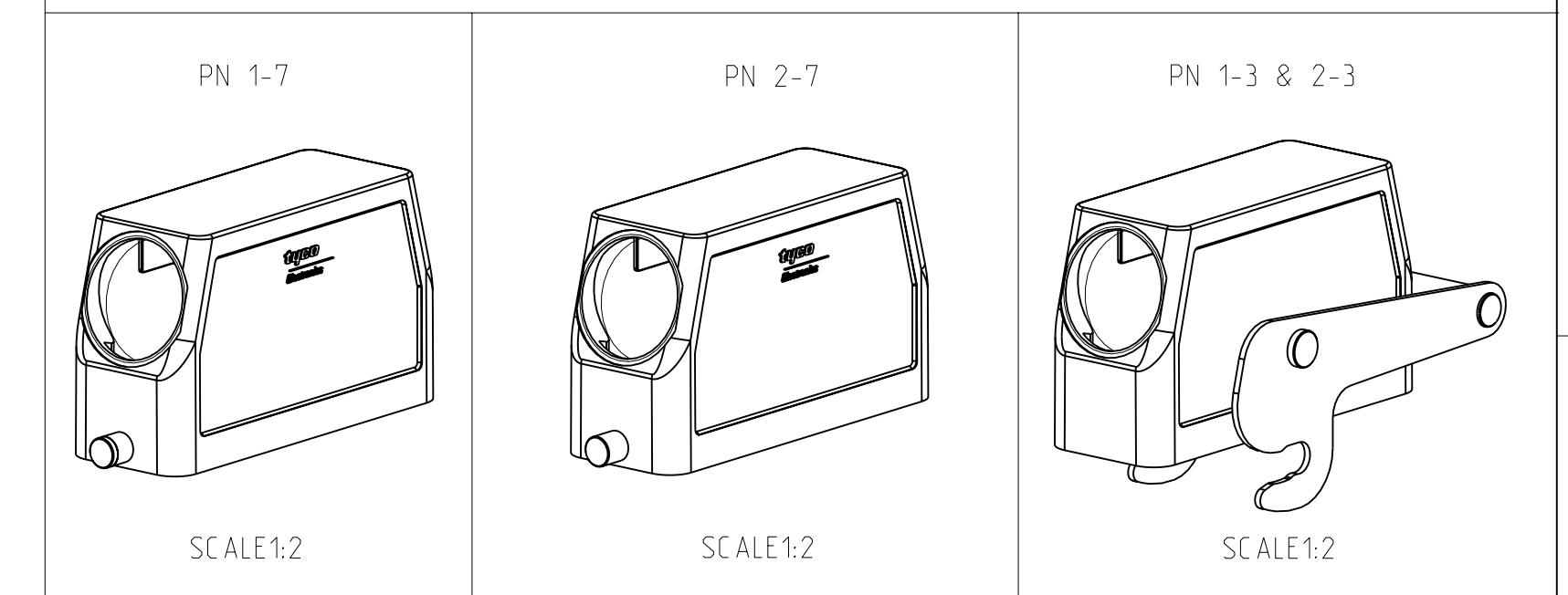
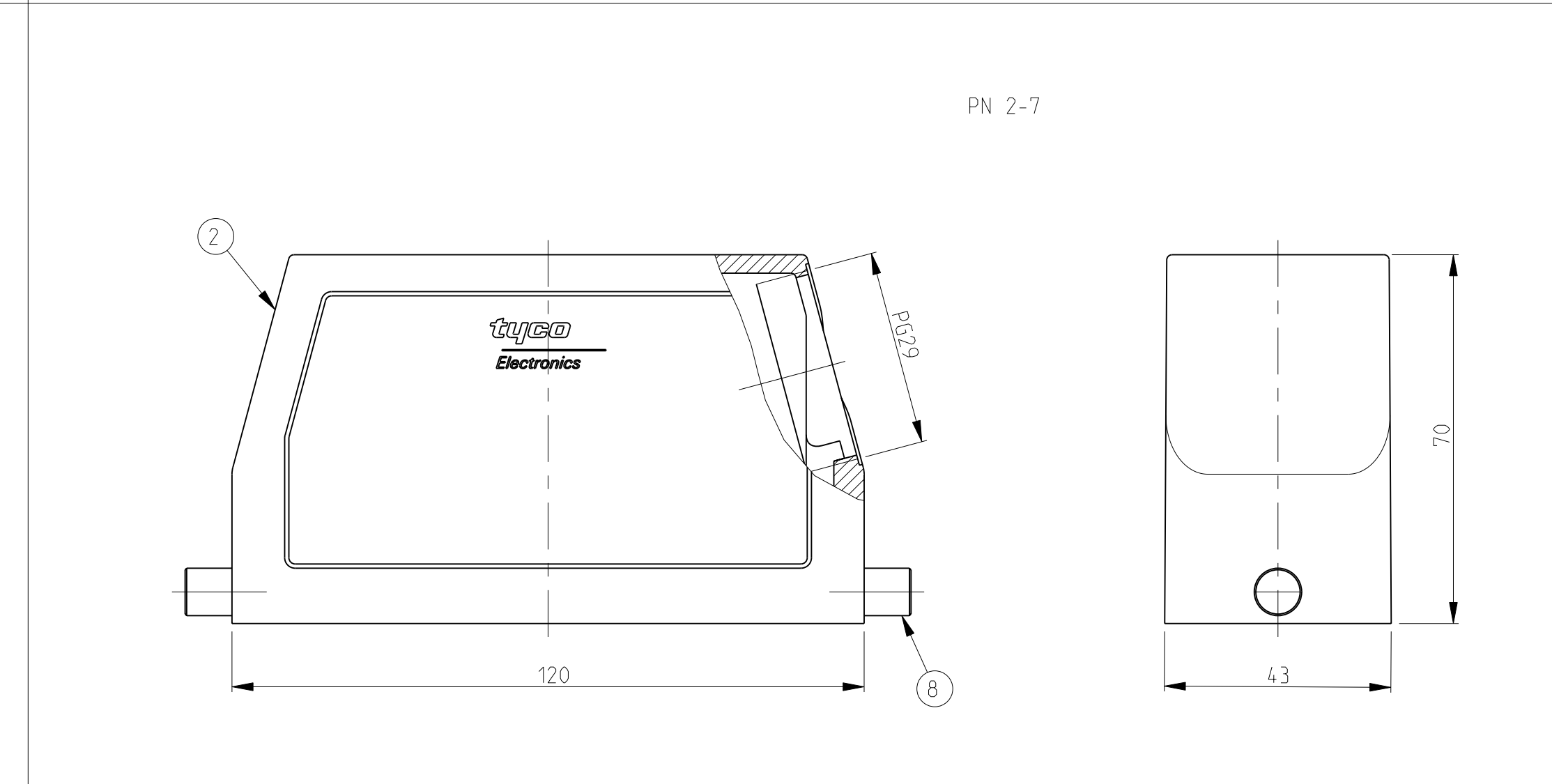
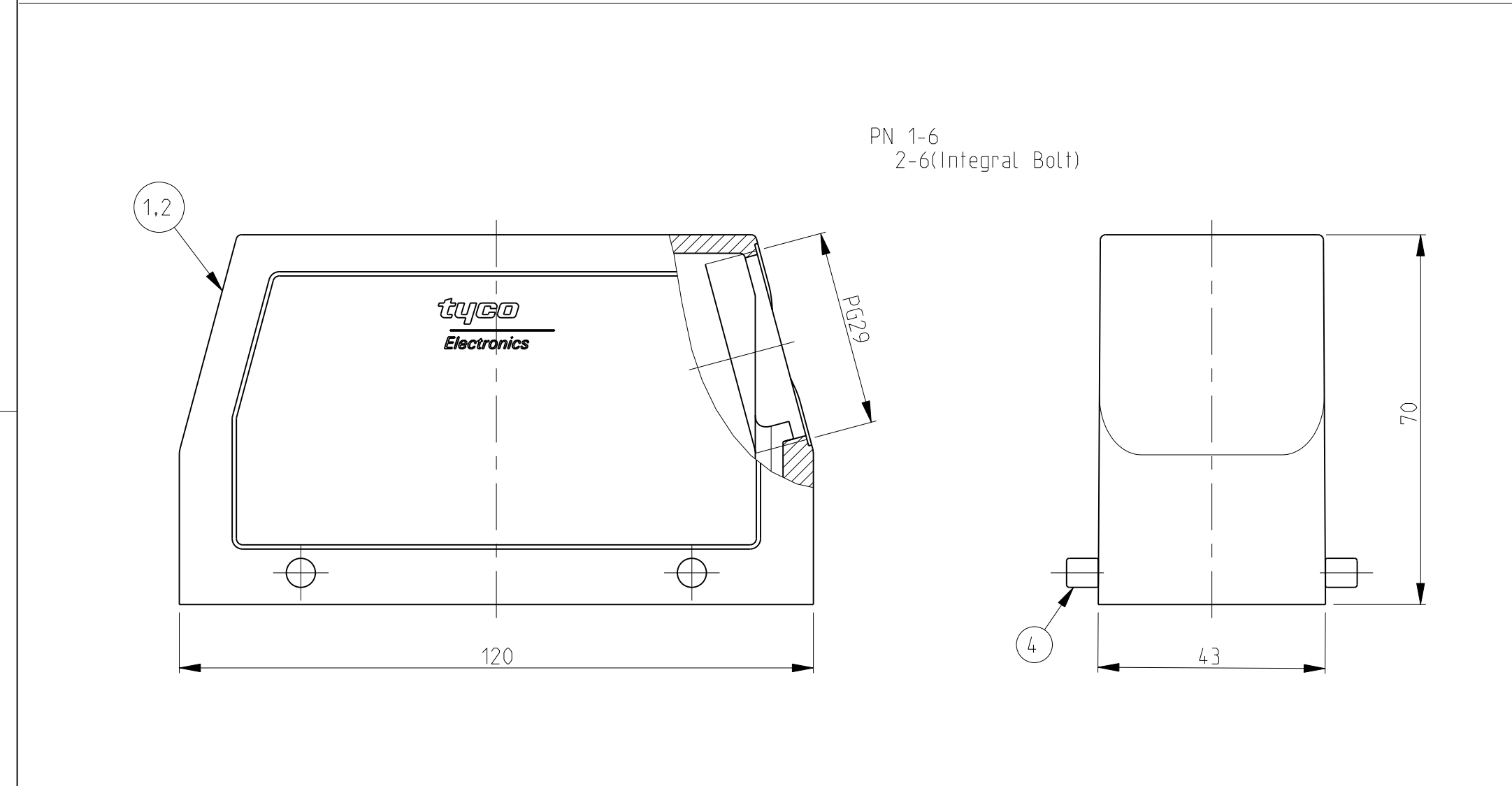


LOC	DIST	REV	DATE	BY	APPV
A1	-	A2	22.08.07	SK	TS



- NOTES.
- 1 Material:Housing:Aluminium Diecasting Alloy
  - 2 Surface: Powder varnish grey  
- Aluminium oxide+  
Varnish black
  - 3 Varnish on the inside not necessary
  - 4 Packaging  
Quantity 5 Pieces in a box



QTY	DESCRIPTION	MATERIAL	SURFACE	COLOR	ITEM NO	REMARKS
1	ZB-Central clip	Stainless Steel	Blank	-	10	
1	ZB-Central clip	Steel	Zinc Plated	Blue	9	
2	LB-Clip bolt	Stainless Steel	Blank	-	8	
2	LB-Clip bolt	Steel	Zinc Plated	Blue	7	
2	VS-Side clip	Stainless Steel	Blank	-	6	
2	VS-Side clip	Steel	Zinc Plated	Blue	5	
4	VS-Clip bolt	Stainless Steel	Blank	-	4	
1	HB Hood	Aluminium	-	Grey	3	Name plate
1	HB-K Hood	Aluminium	Aluminium Oxide	Black	2	
1	HB Hood	Aluminium	-	Grey	1	

ORDERING TEXT

HB-24.STS-1.29.G

HB-K.24.STS-1.29.G

HB-24.STS-1.29.G

HB-24.STS-VS-1.29.G

HB-K.24.STS-VS-1.29.G

HB-24.STS-GR-1.29.G

HB-K.24.STS-GR-1.29.G

HB-Z.24.STS-ZB-1.29.G

HB-K/Z.24.STS-ZB-1.29.G

AMP 4805 REV 31MAR2000

PRO/ENGINEER DRAWING

DIMENSIONS: mm 	TOLERANCES UNLESS OTHERWISE SPECIFIED: 0 PL ± 1 PL ± 2 PL ± 3 PL ± 4 PL ± ANGLES ±	DWN Schneider 28.01.2003 CHK Schneider 28.01.2003 APVD Schneider	Tyco Electronics AMP GmbH 0-53819-Neunkirchen,Germany
MATERIAL FINISH	PRODUCT SPEC 108-74001 108-74003 APPLICATION SPEC 114-74001 114-74004	NAME Hood HB-24.STS-1.29.G	SIZE CAGE CODE DRAWING NO A1 00779 C=1102319
CUSTOMER DRAWING		SCALE 1:1	SHEET 1 OF 1 REV. A2