


## SACC-M12FR-8Q SH

Order No.: 1553666

<http://eshop.phoenixcontact.de/phoenix/treeViewClick.do?UID=1553666>Bus system connector, socket, angled, 8-pos., M12 shielded,  
QUICKON connection block, cable diameter max. 8 mm**Ethernet****Product notes**WEEE/RoHS-compliant since:  
09/22/2008

<http://www.download.phoenixcontact.com>  
Please note that the data given here has been taken from the online catalog. For comprehensive information and data, please refer to the user documentation. The General Terms and Conditions of Use apply to Internet downloads.

**Commercial data**

GTIN (EAN)	 4 046356 158831
sales group	D124
Pack	1 pcs.
Customs tariff	85366990
Catalog page information	Page 52 (PC-2009)

**Technical data****General data**

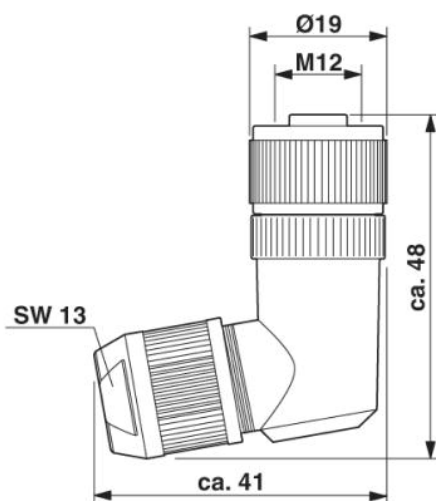
Rated current at 40°C	1.75 A
Rated voltage	30 V
Number of positions	8
Volume resistance	≤ 5 mΩ
Insulation resistance	≥ 100 MΩ

Ambient temperature (operation)	-40 °C ... 85 °C
<b>General characteristics</b>	
Coding	A - standard
Surge voltage category	II
Pollution degree	3
Degree of protection	IP67
Inflammability class acc. to UL 94	V0
Contact material	CuSn
Contact surface material	Ni/Au
Contact carrier material	PA 66
Material of grip body	Zinc die-cast, nickel-plated
Material, knurls	Zinc die-cast, (nickel-plated)
Sealing material	Neoprene
Type of connection	IDC fast connection
Conductor cross section stranded min.	0.14 mm <sup>2</sup>
Conductor cross section stranded max.	0.34 mm <sup>2</sup>
Conductor cross section AWG/kcmil min.	26
Conductor cross section AWG/kcmil max	22
External diameter	4 mm ... 8 mm
Transmission characteristics (category)	CAT5 (IEC 11801:2002), CAT5e (TIA 568B:2001)

### Diagrams/Drawings

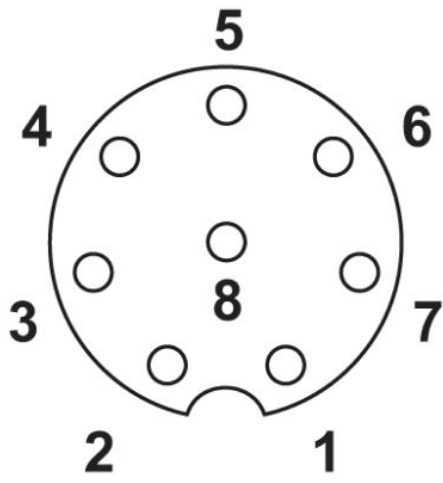
Dimensioned drawing

M12 x 1 female connector, angled, shielded



Schematic diagram

Pin assignment M12 socket, 8-pos., A-coded, view female side



**Address**

PHOENIX CONTACT Inc., USA  
586 Fulling Mill Road  
Middletown, PA 17057, USA  
Phone (800) 888-7388  
Fax (717) 944-1625  
<http://www.phoenixcon.com>



© 2010 Phoenix Contact  
Technical modifications reserved;