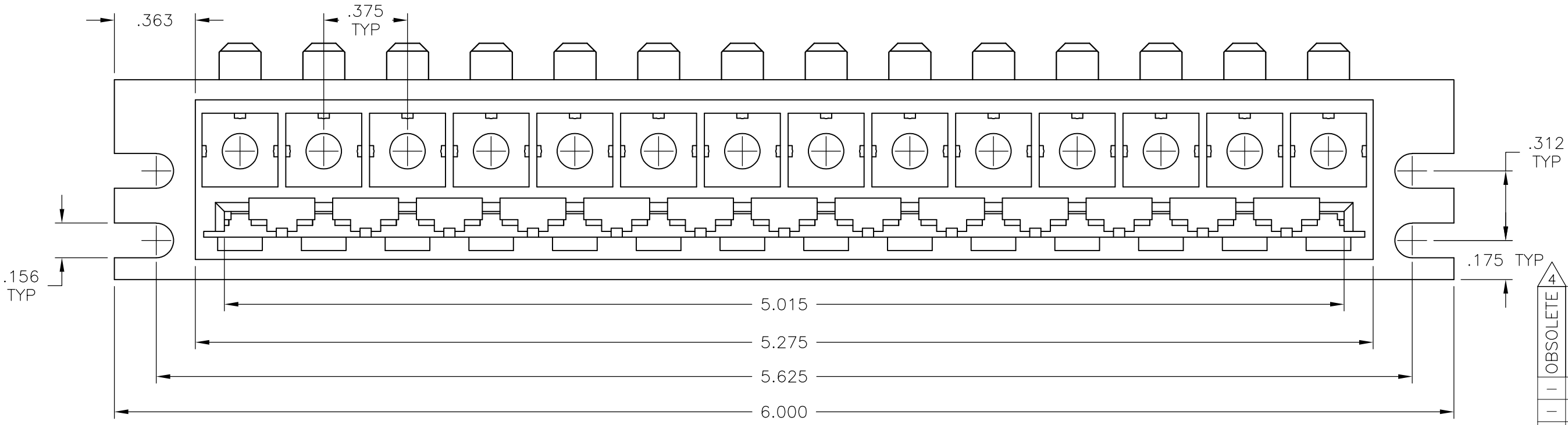
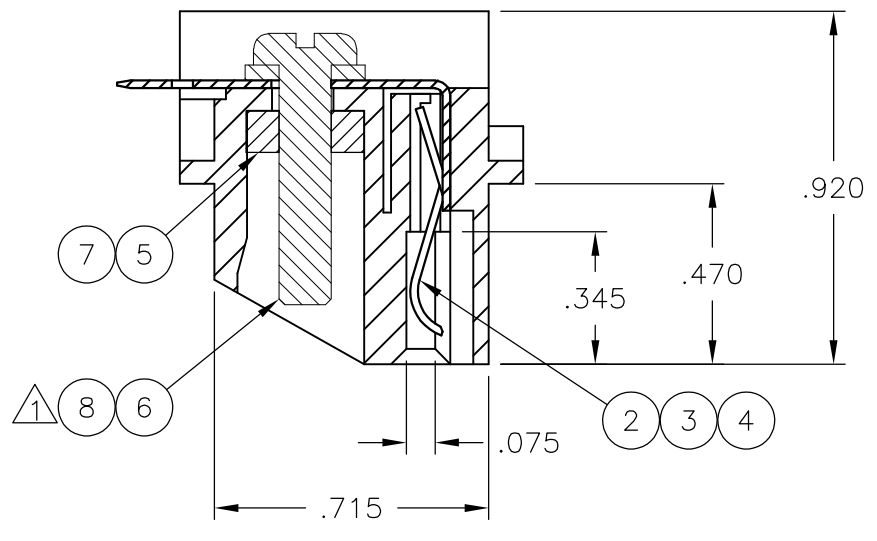
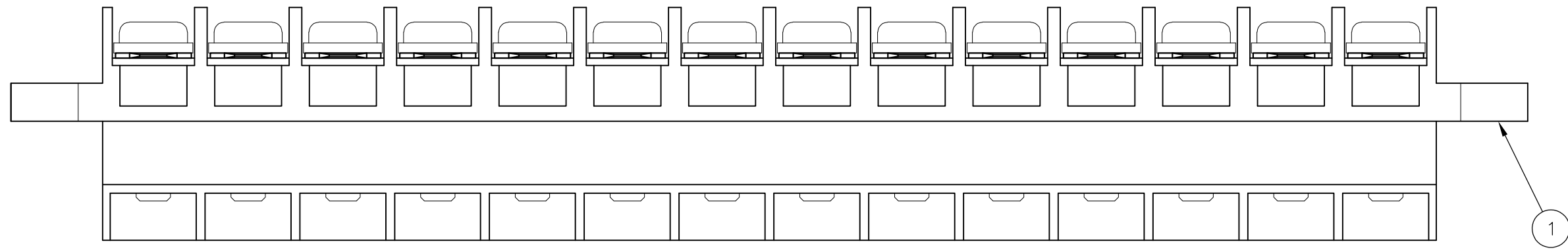
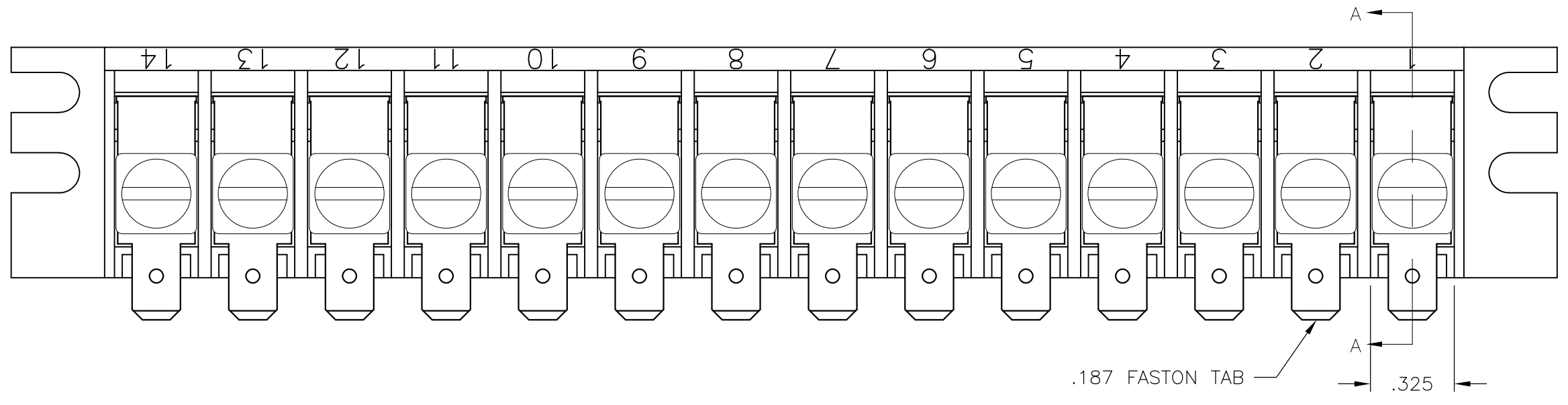


THIS DRAWING IS UNPUBLISHED. RELEASED FOR PUBLICATION
 © COPYRIGHT BY TYCO ELECTRONICS CORPORATION. ALL RIGHTS RESERVED.

LOC	DIST	REVISIONS			
P	LTR	DESCRIPTION	DATE	DWN	APVD
	N	REVISED PER ECO-07-004106	2/22/07	SS	DC
	N1	REVISED PER ECO-09-021510	05SEP09	KK	AEG

- △ ACCEPTS .062±.007 PRINTED CIRCUITS BOARD.
- 2. MAX ALLOWABLE BOW TO BE .003 PER INCH OF HOUSING.
- 3. 1-380914-0 AND 1-380914-2 IS ALLOWED TO USE ITEM 7 AND 8 AS SUBSTITUTES FOR ITEM 5 AND 6.
- △ OBSOLETE PARTS: OBSOLETE CIS STREAMLINING PER D.RENAUD/D.SINISI



QTY	QTY	QTY	QTY	QTY	MATERIAL	DESCRIPTION	ITEM NO.
4	4	4	4	4			
-	-	-	14	14	6-32, STEEL, GOLD PLATE	CLAMP ASSY	8
-	-	-	14	14	6-32, STEEL, ZINC NON-HEXAVALENT	NUT	7
14	14	14	-	-	6-32, STEEL, GOLD PLATE	CLAMP ASSY	6
14	14	14	-	-	6-32, STEEL, ZINC HEXAVALENT	NUT	5
14	-	-	14	-	.020 PH BRZ, GOLD	CONTACT	4
-	14	-	-	-	.020 PH BRZ, TIN	CONTACT	3
-	-	14	-	14	.020 PH BRZ, GOLD FLASH	CONTACT	2
1	1	1	1	1	POLYCARBONATE, GRAY	HOUSING	1
-	12	-	11	-	10	-	2
-	-	-	-	-	1		

THIS DRAWING IS A CONTROLLED DOCUMENT.

DWN	S SCHLEGEL	2/22/07
CHK	D COURS	2/22/07
APVD	D COURS	2/22/07
PRODUCT SPEC		
APPLICATION SPEC		
WEIGHT	-	
CUSTOMER DRAWING		

Tolerances unless otherwise specified:

0 PLC	±	-
1 PLC	±	-
2 PLC	±	.02
3 PLC	±	.005
4 PLC	±	-
ANGLES	±	0°30'
FINISH		

Tyco Electronics Tyco Electronics Corporation
Harrisburg, PA 17105-3608

NAME: EDGE CONNECTOR ASSY
14 CIRCUIT MULTI-TAP

SIZE: A2 CAGE CODE: 00779 DRAWING NO: 380914 RESTRICTED TO: -

SCALE: 2:1 SHEET: 1 of 1 REV: N1