

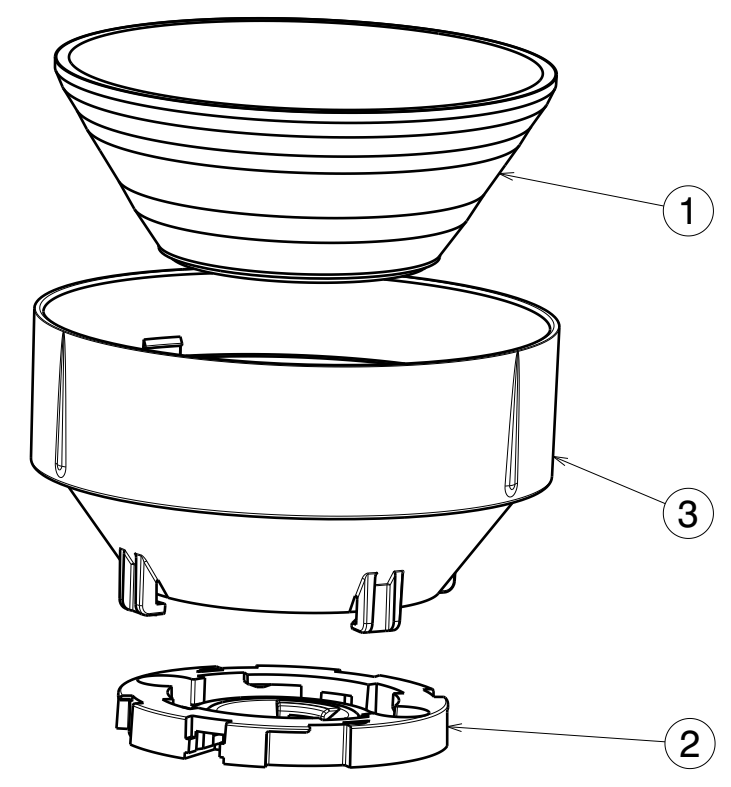
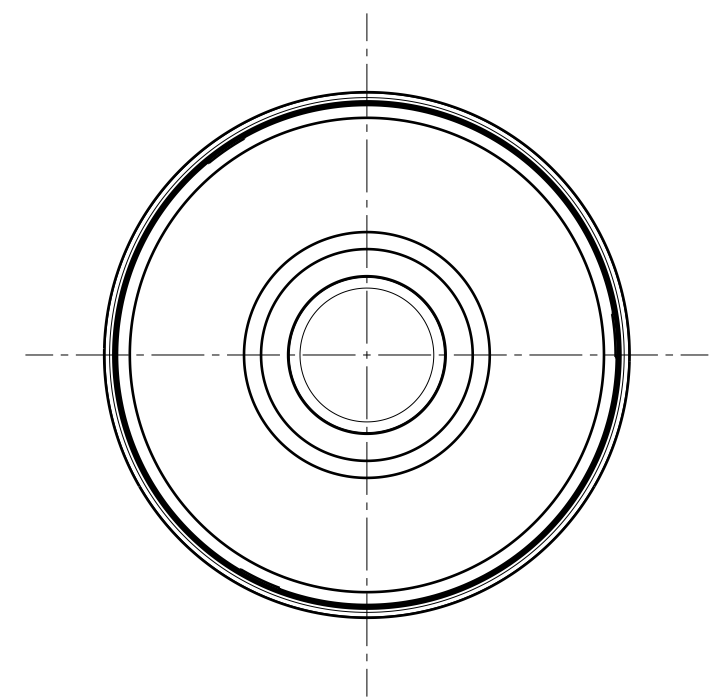
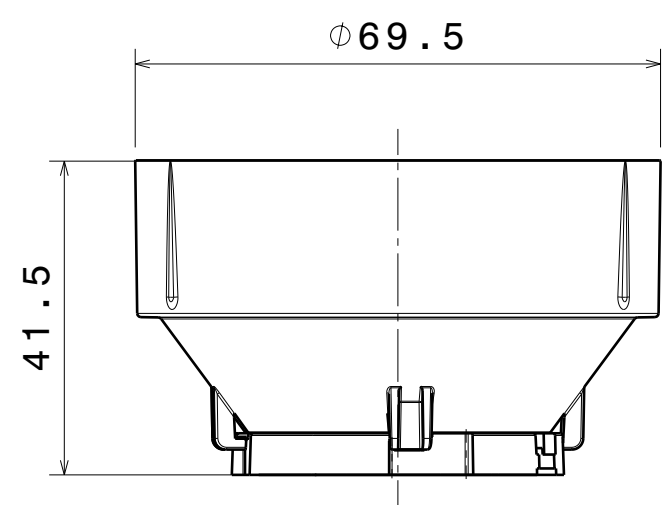
DETAILS

Product Number	CP15775_CARMEN-M-C
Family	CARMEN
Type	Assembly
Color	black
Diameter	69,5 mm
Height	41,5 mm
Style	round
Optic Material	PMMA
Holder Material	
Fastening	socket
Status	production ready
ROHS Compliant	Yes
Date Updated	7/02/2017



OPTICAL PROPERTIES

LED	Viewing Angle	Light Beam	Efficiency	cd/lm	Connector
VERO10	N/A deg	Medium	-	sim: 2.150	LEDiL: F15616_HEKLA-SOCKET-F
CLL02x/CLU02x (LES10)	sim: 37,0	Medium	-	sim: 2.105	LEDiL: F15255_HEKLA-SOCKET-C
CLU700/701	sim: 30,0	Medium	-	sim: 3.120	LEDiL: F15255_HEKLA-SOCKET-C
CXA/B 15xx	sim: 35,8	Medium	-	sim: 2.260	LEDiL: F15256_HEKLA-SOCKET-D
MJT COB LES 6	37 deg	Medium	74 %	1.700	LEDiL: F15255_HEKLA-SOCKET-C
MJT COB LES 9.8	45 deg	Medium	71 %	1.200	LEDiL: F15255_HEKLA-SOCKET-C
SLE G6 LES10	sim: 34	Medium	sim: 68 %	sim: 2.000	LEDiL: F15255_HEKLA-SOCKET-C



INDEX	PART NO	DESCRIPTION	MATERIAL	COLOUR
1	Carmen-Lens		PMMA	Clear
2	Hekla	HEKLA-SOCKET	PBT	White
3	C15732	CARMEN-HLD-C	PC	black

Tolerances if not otherwise shown
 According to DIN ISO 2768-1
 Linear measures:
 Up to 30mm class M, otherwise class C.
 According to DIN ISO 2768-2
 Form and position: class L

LEDiL LediL Oy
 Salorankatu 10
 FIN 24240 SALO
 Finland

THIRD ANGLE PROJECTION:

DRAWING TITLE
Carmen-B_Datasheet

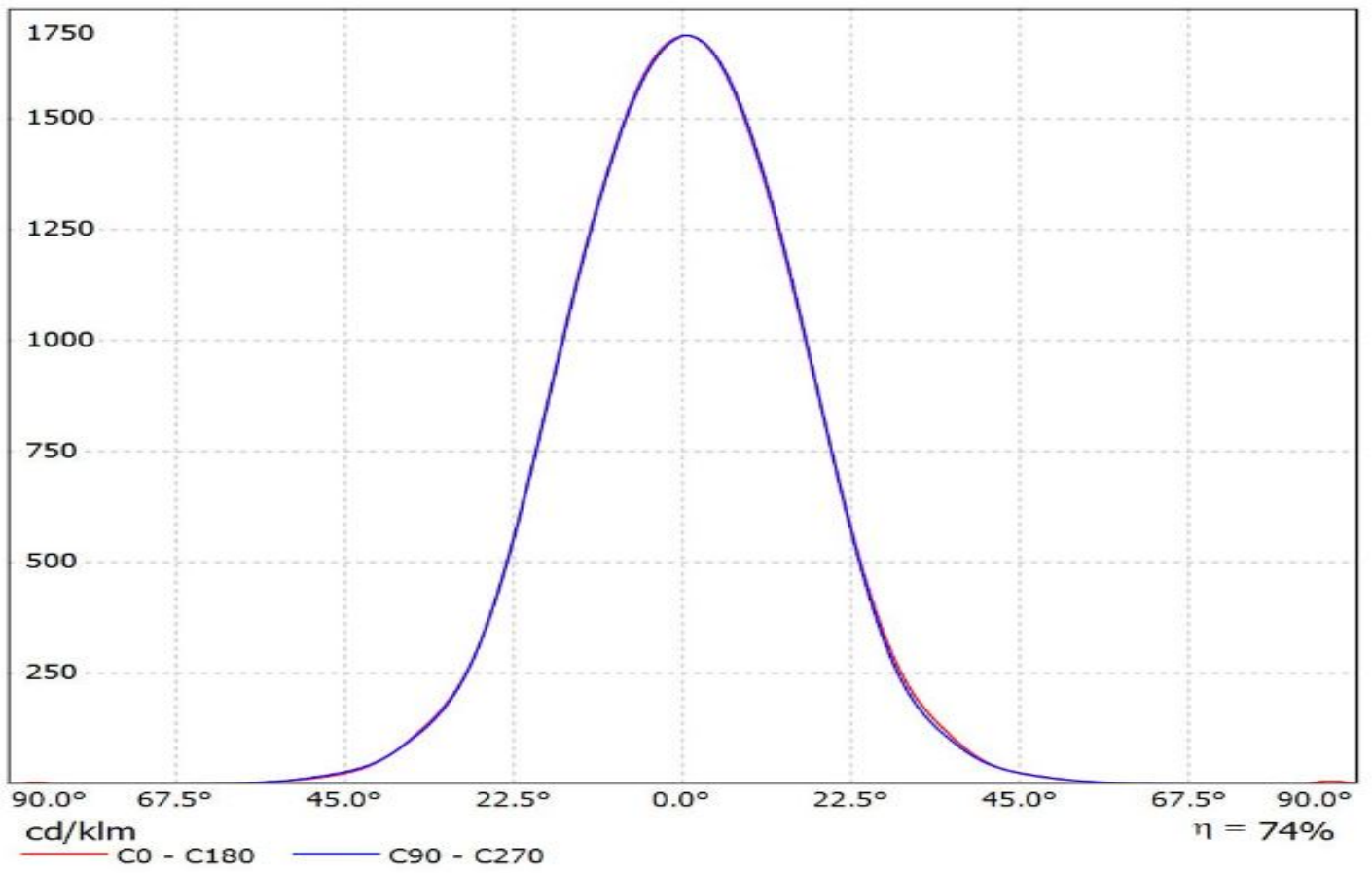
This drawing is the property
 of LEDiL Oy. It may not be
 reproduced, copied or
 communicated without a written
 agreement with LEDiL Oy.

SIZE PART NUMBER
A3

SCALE 1:1 WEIGHT SHEET 1/1

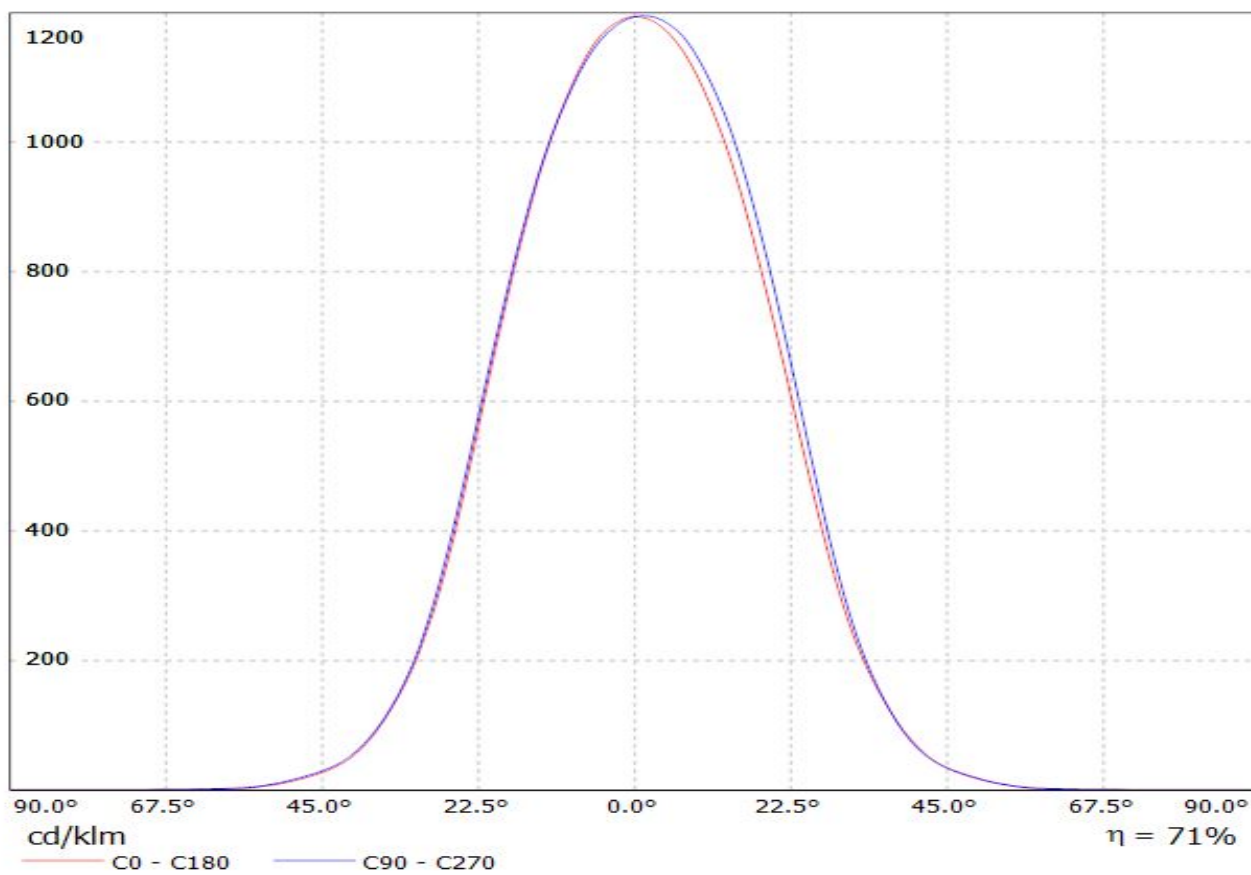
Luminaire: Ledil CP15775_CARMEN-M-C_(MJT_6W_Les6)

Lamps: 1 x Seoul_MJT_6W_Les6mm_(SAWx0661A)_838.42lm@180mA_P=6.48702W_I=0.18A



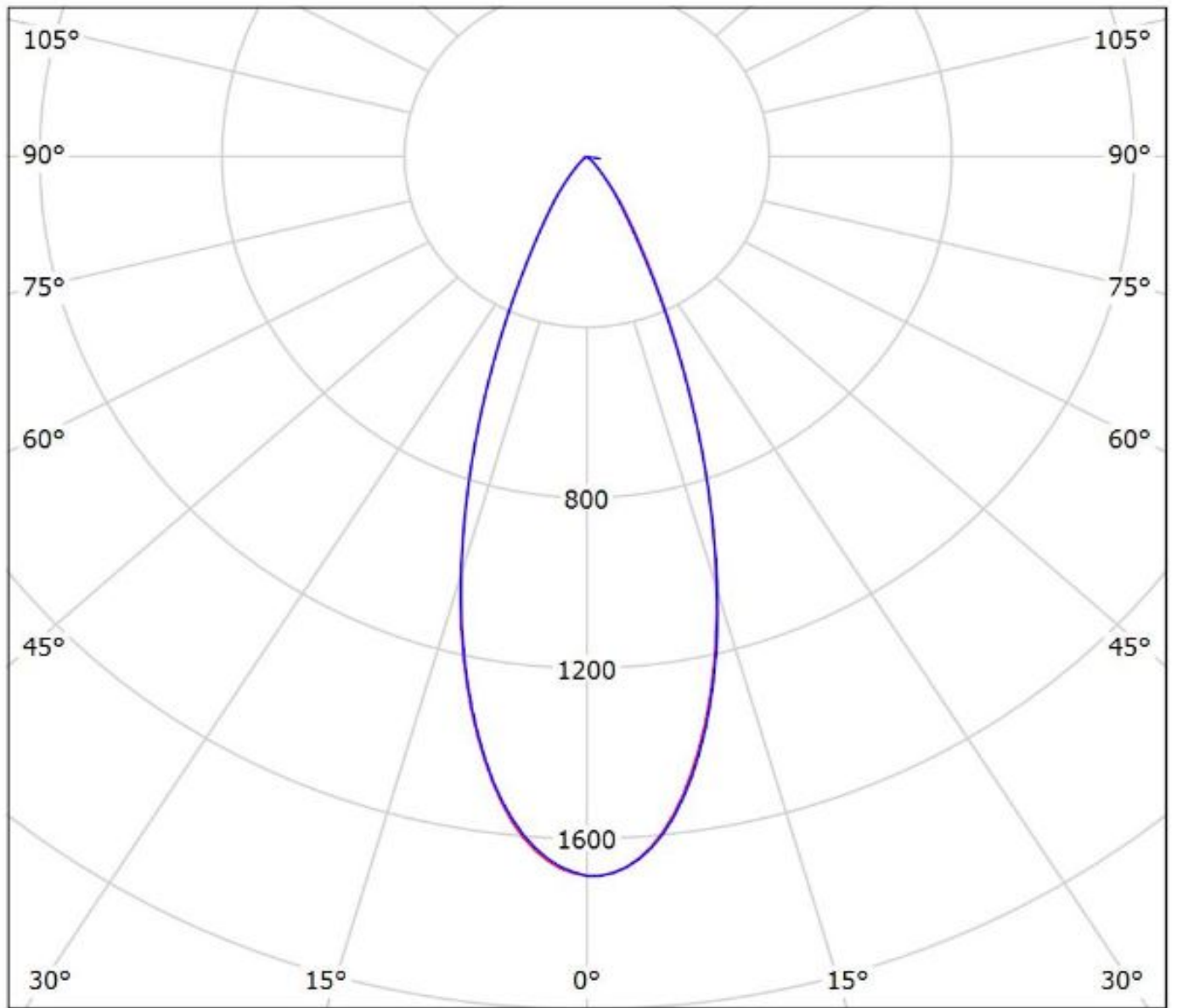
Luminaire: Ledil CP15775_CARMEN-M-C_(MJT_12W_Les9,8)

Lamps: 1 x Seoul_MJT_12W_Les9.8mm_(SAWx1063A)_1269.11lm@250mA_P=8.415W_I=0.25A



Luminaire: Ledil CP15775_CARMEN-M-C_(MJT_6W_Les6)

Lamps: 1 x Seoul_MJT_6W_Les6mm_(SAWx0661A)_838.42lm@180mA_P=6.48702W_I=0.18A



cd/klm

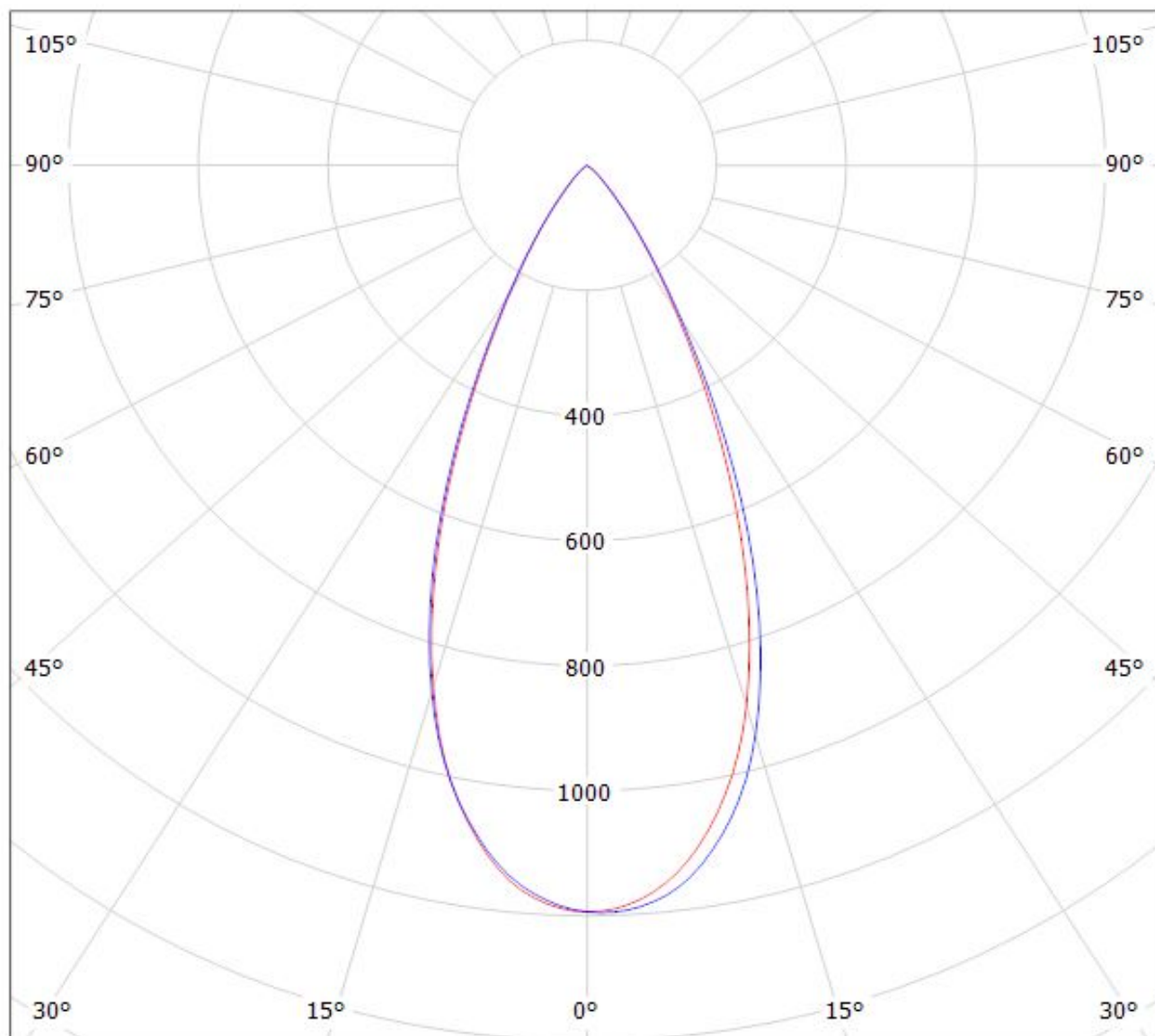
— C0 - C180

— C90 - C270

$\eta = 74\%$

Luminaire: Ledil CP15775_CARMEN-M-C_(MJT_12W_Les9,8)

Lamps: 1 x Seoul_MJT_12W_Les9.8mm_(SAWx1063A)_1269.11lm@250mA_P=8.415W_I=0.25A



cd/klm

— C0 - C180

— C90 - C270

$\eta = 71\%$

NOTE: The typical divergence will be changed by different color, chip size and chip position tolerance. The typical total divergence is the full angle measured where the luminous intensity is half of the peak value.

GENERAL INFORMATION

- Product series especially designed & optimized for series of LEDs.
- Special care taken to make light distribution as uniform as possible.

Note! Due to use of high power COB's with this product, special attention to proper thermal design is highly recommended. LEDiL has no liability for direct, indirect or consecutive damages arising from the LEDiL products being used outside of the recommended temperature range.