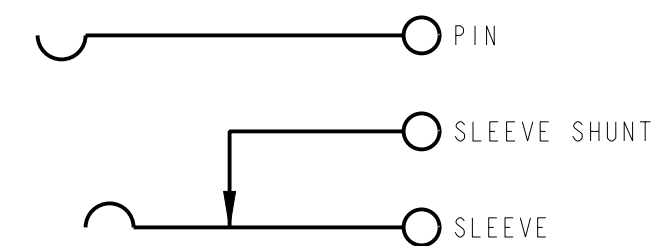
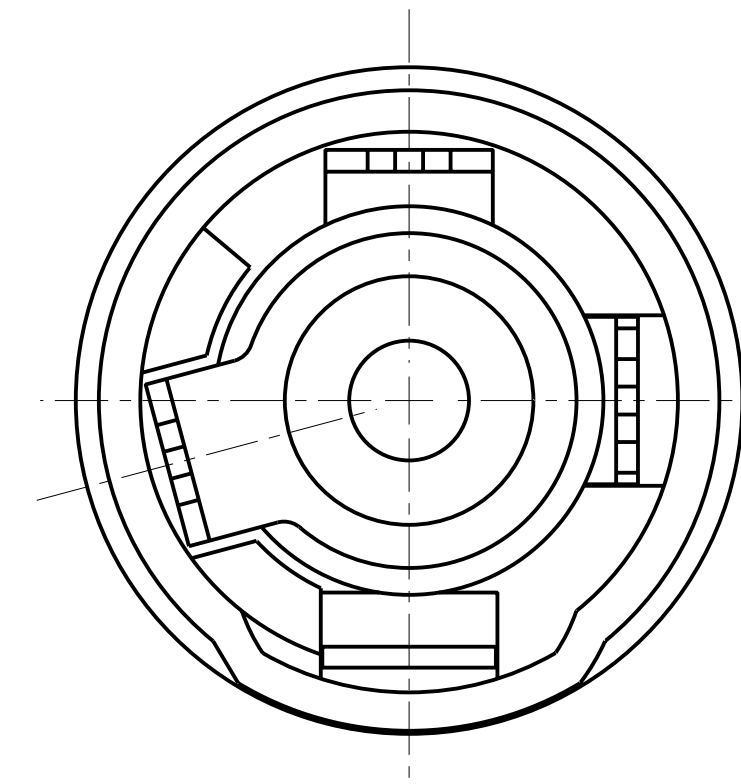
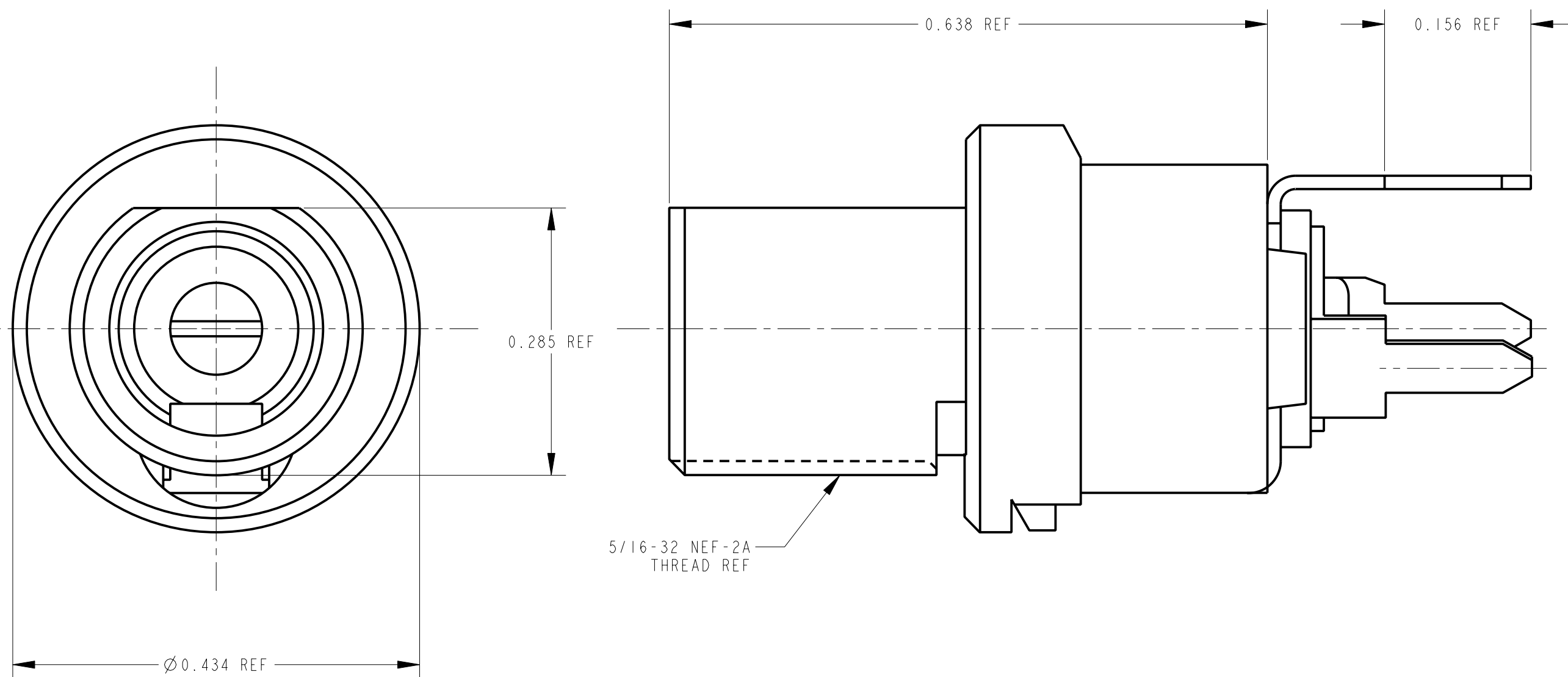


MATERIALS
 BUSHING - COPPER ALLOY, NICKEL PLATED
 PIN TERMINALS - COPPER ALLOY, SILVER PLATED
 WASHERS - GLASS EPOXY
 PIN - COPPER ALLOY, SILVER PLATED
 HOUSING - BLACK THERMOPLASTIC, UL94V-0
 SLEEVE SHUNT - PHOS. BRONZE, SILVER PLATED



CIRCUIT DIAGRAM

CUSTOMER DRAWING

★ STAR SYMBOL DENOTES CRITICAL DIMENSION UNLESS OTHERWISE SPECIFIED 1. ALL DIMENSIONS IN INCHES - TWO PLACE DECIMALS ±0.01 - THREE PLACE DECIMALS ±0.005 - ANGLES ±1° - ALL DIA. CONCENTRIC WITHIN 0.005 T.I.R. 2. FEATURES ON THE SAME CENTERLINE MUST BE ALIGNED WITHIN ±0.002 3. REMOVE ALL BURRS					THIS DRAWING DESCRIBES A DESIGN CONSIDERED PROPRIETARY IN NATURE, DEVELOPED AND MANUFACTURED BY SWITCHCRAFT INC. AND IS RELEASED ON A CONFIDENTIAL BASIS FOR IDENTIFICATION PURPOSES ONLY.				
					SIZE	WIDTH	MULT	LBS/M	TEMPER
G 22992 9-1-99 JL DK REVISIONS					FINISH SPEC No.		MATERIAL SPEC No.		
					DATE DRAWN 10-7-93		BY ES	CHKD ES	APVD TAO
DO NOT SCALE DRAWING					NAME POWER JAX		SHEET 1 OF 1		
					PART No. PCL712A		REV G		