

REV-LEV.101

CONFIDENTIAL. THE INFORMATION CONTAINED IN THIS DOCUMENT IS THE PROPERTY OF COOPER INDUSTRIES, INC. IT IS NOT FOR PUBLIC DISCLOSURE. POSSESSION OF THE INFORMATION DOES NOT CONVEY ANY RIGHT TO LOAN, SELL OR DISCLOSE THE INFORMATION. UNAUTHORIZED REPRODUCTION OR USE OF THE INFORMATION IS PROHIBITED. THIS DOCUMENT IS TO BE RETURNED TO COOPER INDUSTRIES, INC. UPON COMPLETION OF THE PURPOSE FOR WHICH IT IS LOANED OR UPON REQUEST.

COPYRIGHT Cooper Industries, Inc.  
This is an unpublished work. The disclosure of this work is limited to select personnel. Further dissemination or disclosure to the public is PROHIBITED. This unpublished work is protected by Federal Copyright law and all rights thereunder are reserved by Cooper Industries, Inc.

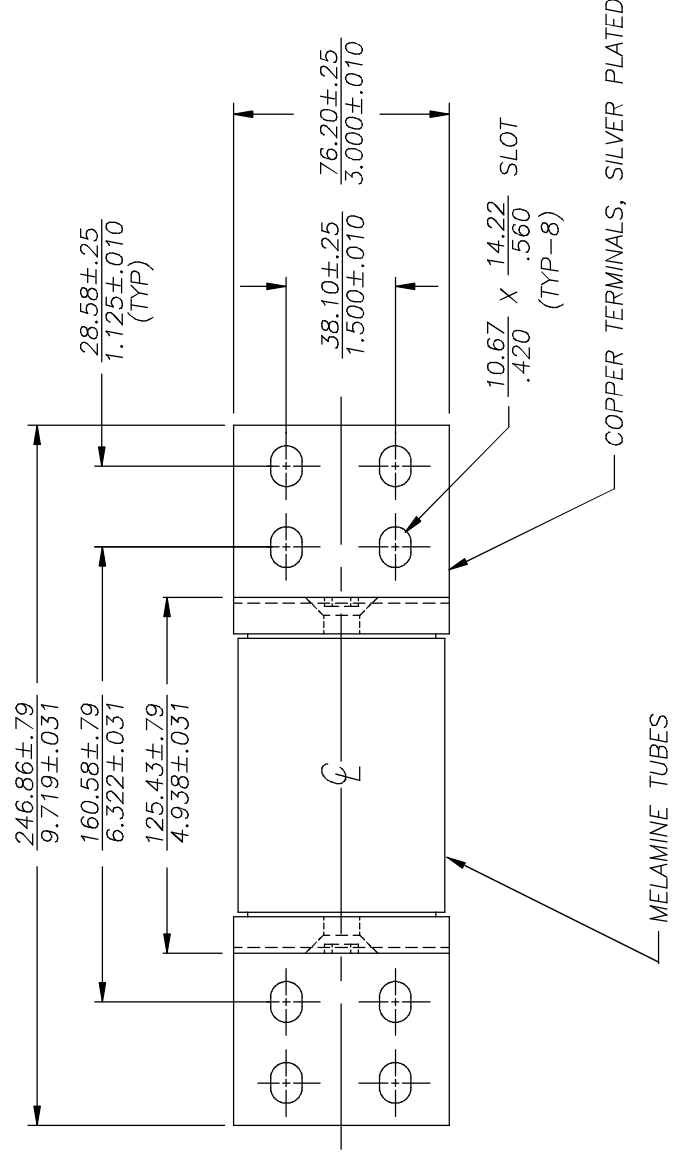
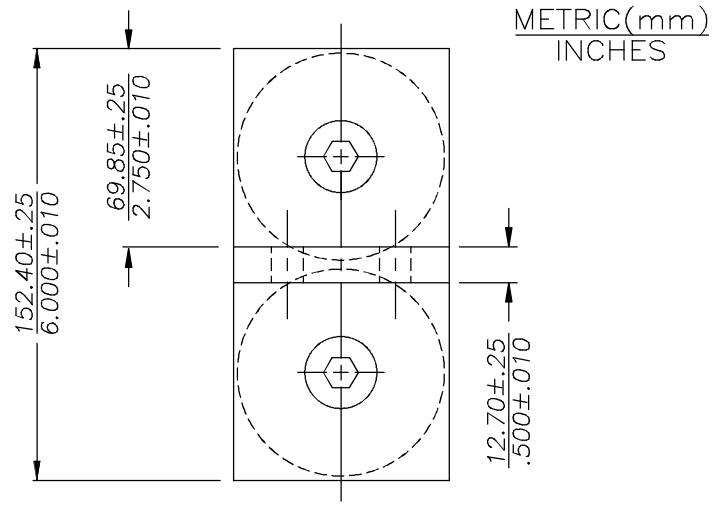
SCALE  
 $\frac{3}{8} \times$

UNLESS OTHERWISE SPECIFIED TOLERANCES TO BE:  
METRIC  $\pm .13\text{mm}$   
INCHES  $\pm .005''$   
ANGULAR  $\pm 2^\circ$

▲ (O) INDICATES CRITICAL DIMENSION OR FEATURE

PAGE 1 OF 2

DATE	2-9-05	NO.	RFL-1800
TITLE			
SEMI-CONDUCTOR FUSE			
SUP. NO.	RFL-1800	DATED	12-16-93
DWG.	JG	CK.	JS
ENG.		CHANGE	A
			SB04428
<b>COOPER Bussmann</b>			
St. Louis, MO 63178			
DISTRIBUTION	62803	56	J



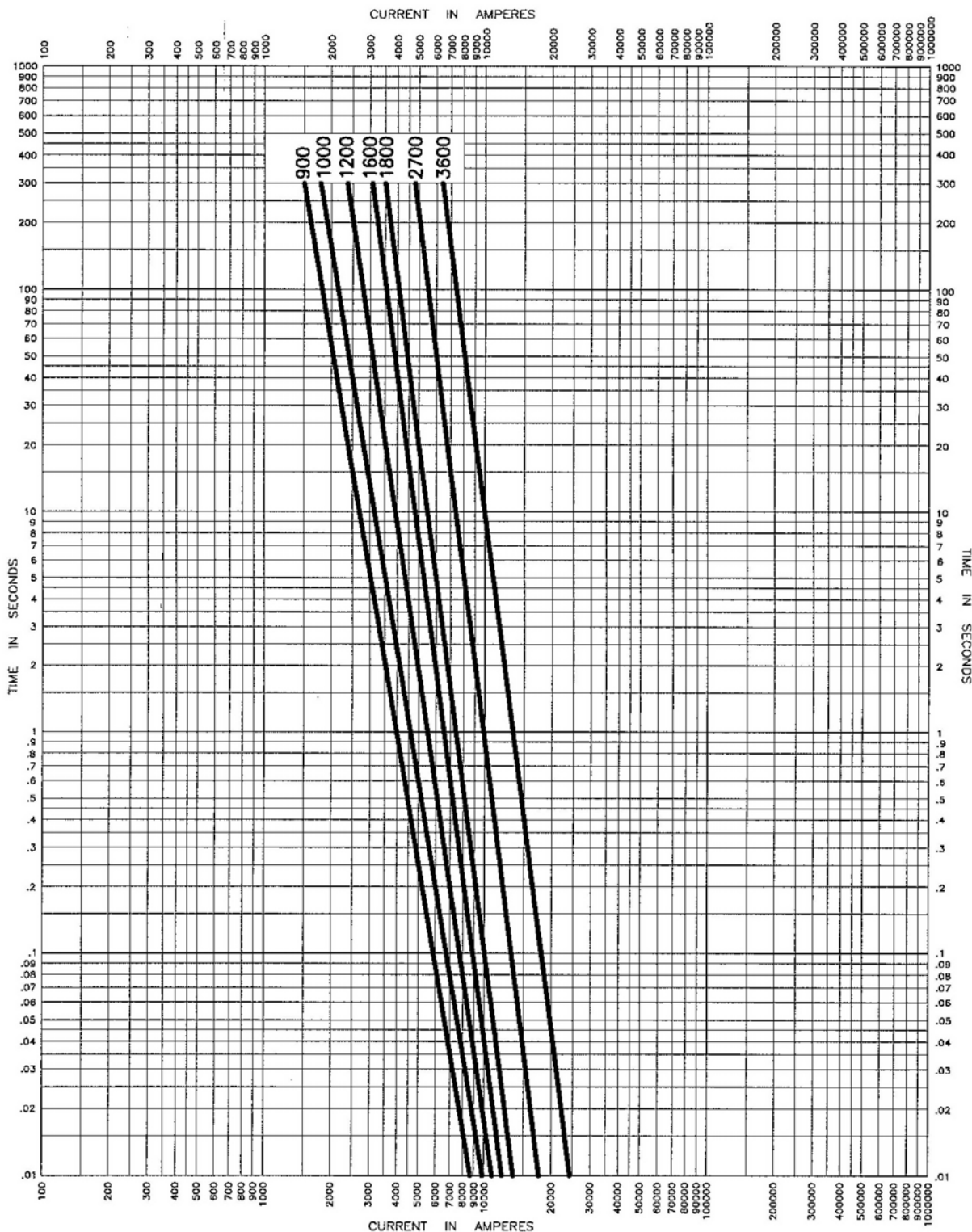
CUSTOMER PRINT

REV.	CHANGE DESCRIPTION	DATE	ECN #
--	INITIAL RELEASE	12-16-93	SA30331
A	ADDED "J" TO DISTRIBUTION & REMOVED "A"	2-9-05	SB04428

DATE  
2-9-05

TITLE  
SEMI-CONDUCTOR FUSE

NO.  
RFL-1800



**AVERAGE** TIME-CURRENT CHARACTERISTIC CURVE

For RFL 900 TO 3600 AMP - 750 VOLT

**COOPER Bussmann**  
St. Louis, MO 63178

BASIS FOR DATA Standards \_\_\_\_\_ Dated \_\_\_\_\_ 38743

1. Tests made at \_\_\_\_\_

2. Curves are plotted to \_\_\_\_\_ Test points so variations should be \_\_\_\_\_

No. 50993 Rev. ---

Date 7-10-00

ECN No. SB00113