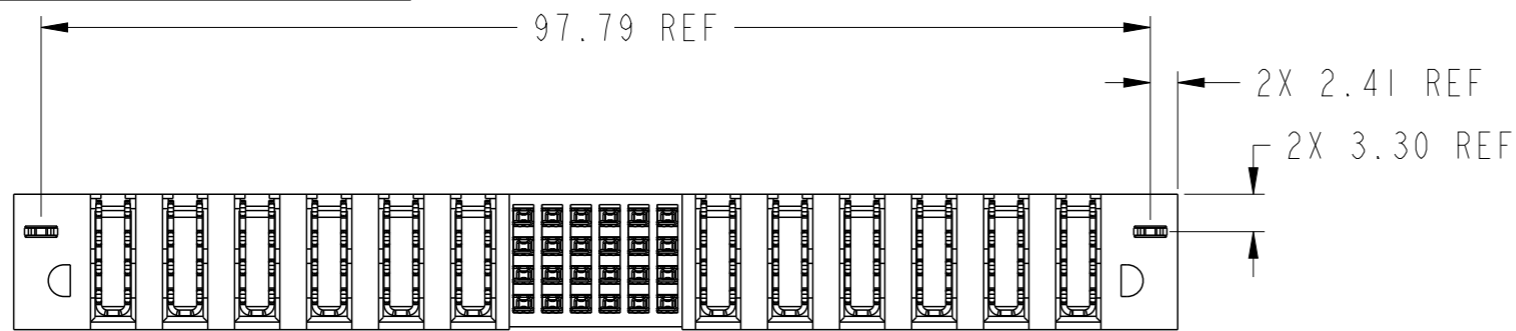
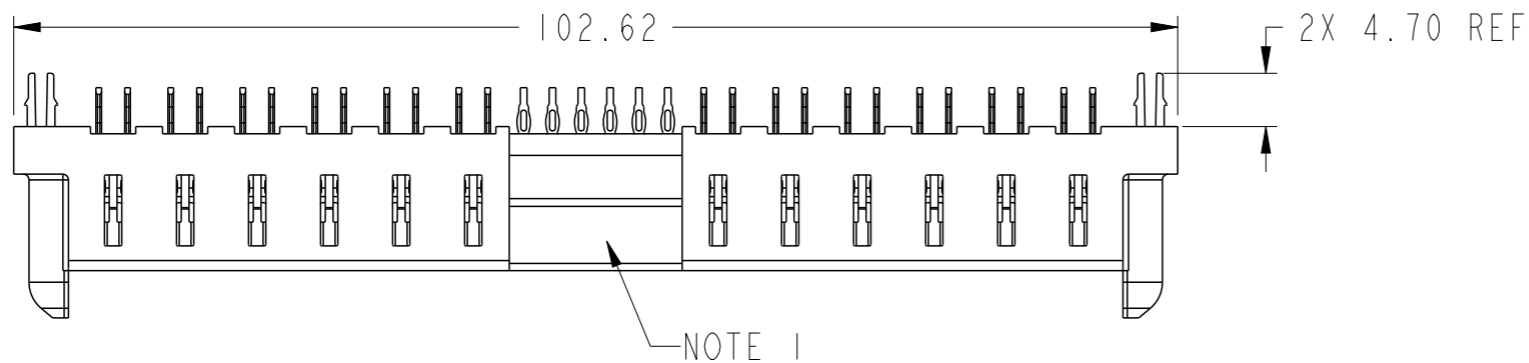


PART NUMBER 10106131-C006001LF

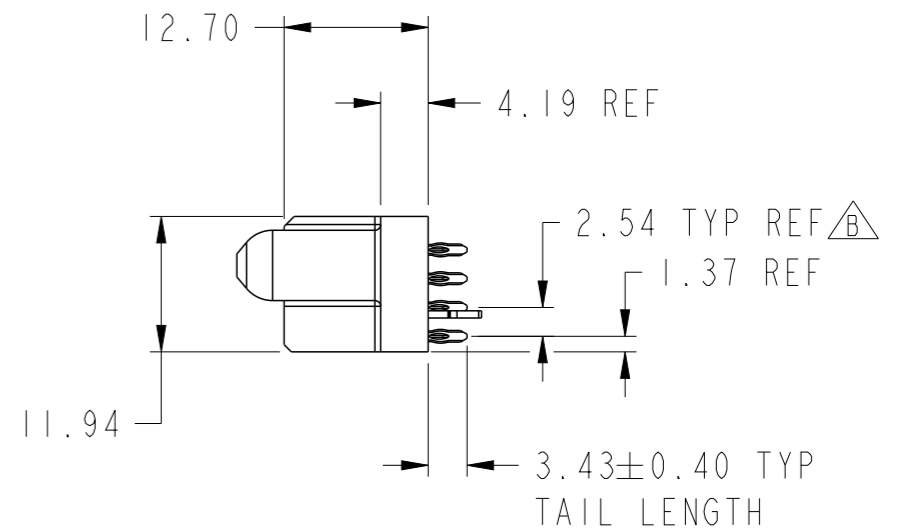
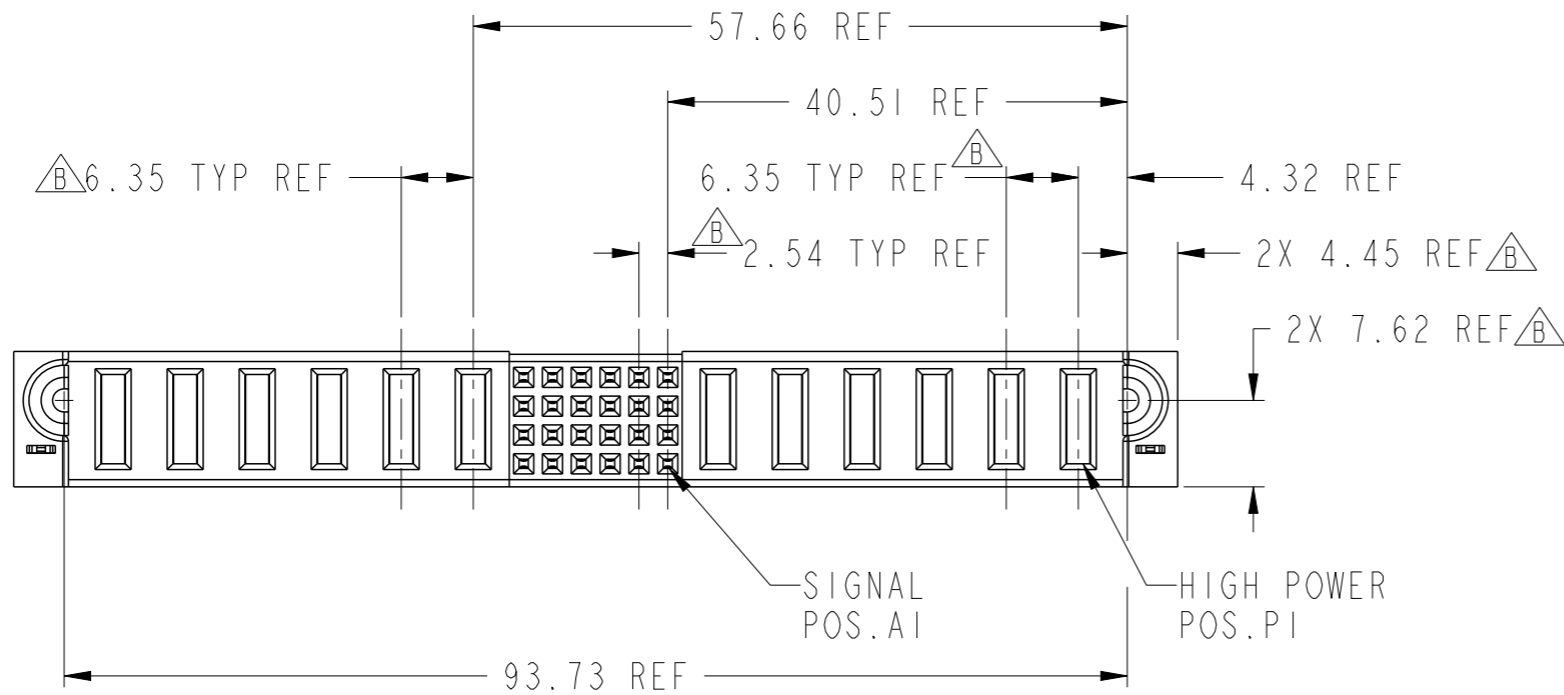
A



B



C



D

spec ref	-	dr	Helen Zhang	2011/10/09	projection	MM	size	A3	scale	3:2							
tolerance std	ISO 406 ISO 1101	eng	Peng-Bing Fu	2012/11/13			ecn no	ELX-DG-013146-1									
TOLERANCES UNLESS OTHERWISE SPECIFIED		chr	Tian-Xu Huang	2012/11/13			product family	PwrBlade+	rel level	Released							
surface	✓	appr	Pei-Ming Zheng	2012/11/13			dwg no	10106131-C006001		rev	B						
ISO 1302	linear	<table border="1"> <tr> <td>0.X</td> <td>±0.50</td> </tr> <tr> <td>0.XX</td> <td>±0.25</td> </tr> <tr> <td>0.XXX</td> <td>±0.10</td> </tr> </table>		0.X	±0.50	0.XX	±0.25	0.XXX	±0.10	www.fci.com		cat. no.	-		Product - Customer Drw	sheet 1 of 3	
0.X	±0.50																
0.XX	±0.25																
0.XXX	±0.10																
	angular	0° ±2°		6HP + 24S + 6HP VERTICAL PF RECEPTACLE				PDS: Rev :B		STATUS:Released							



Copyright FCI.

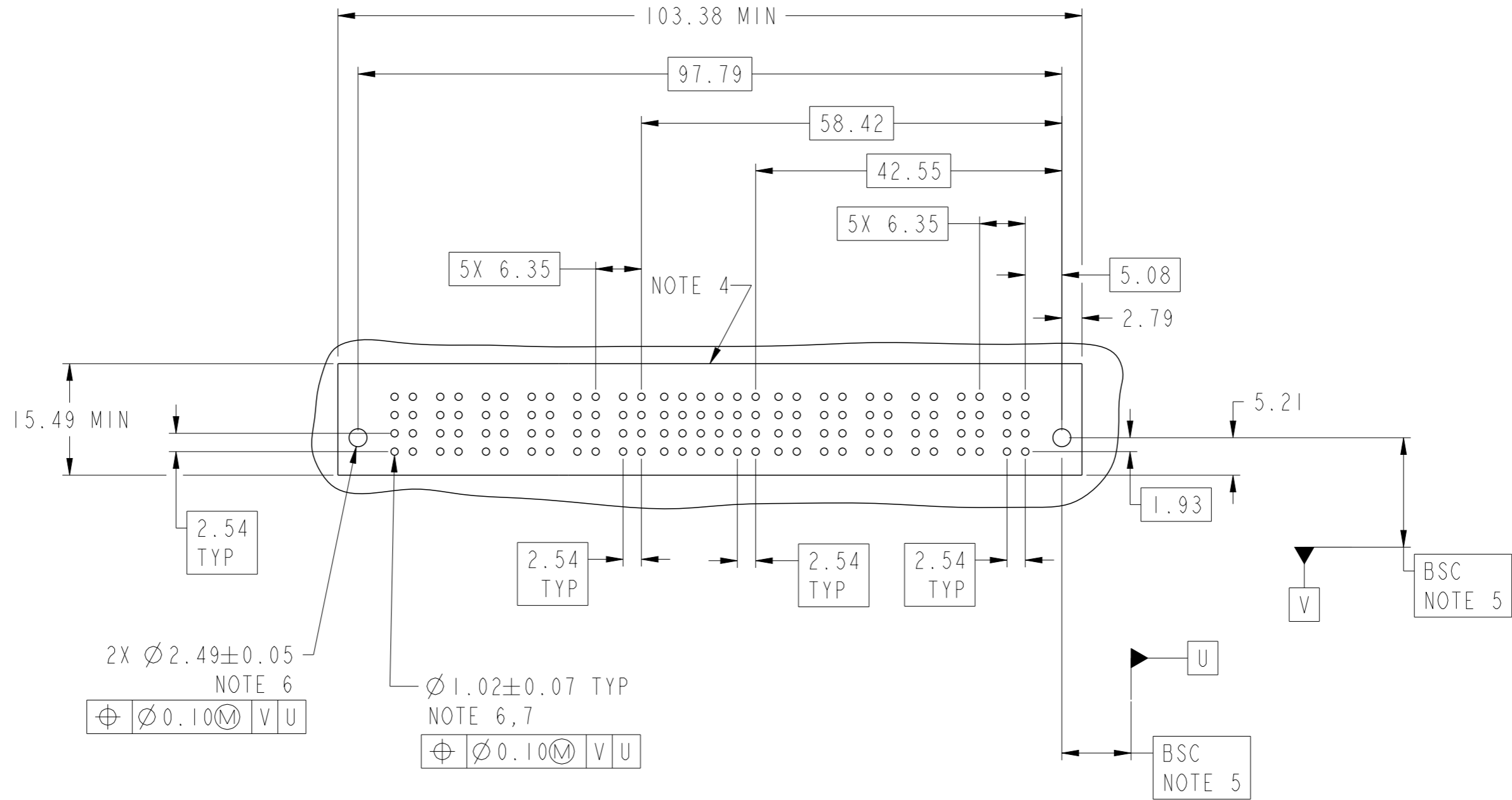
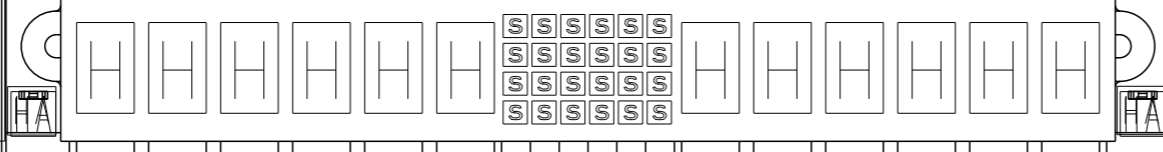
PRODUCT NUMBER

ROWS

P12 P11 P10 P9 P8 P7 6 5 4 3 2 1 P6 P5 P4 P3 P2 P1

10106131-C006001LF

D
C
B
A



2X Ø2.49±0.05
NOTE 6

⊕ Ø0.10(M) V U

Ø1.02±0.07 TYP
NOTE 6,7

⊕ Ø0.10(M) V U

CODE	DESCRIPTION
H	STD HIGH POWER CONTACT
S	STD SIGNAL CONTACT
HA	HOLD DOWN

dr	Helen Zhang	2011/10/09	projection	MM	size	A3	scale	3:2
eng	Peng-Bing Fu	2012/11/13			ecn no			
chr	Tian-Xu Huang	2012/11/13			ELX-DG-013146-1			
appr	Pei-Ming Zheng	2012/11/13	product family	PwrBlade+	rel level		Released	
			6HP + 24S + 6HP		dwg no		10106131-C006001	
www.fci.com			VERTICAL PF RECEPTACLE		rev		B	
cat. no.			-		Product - Customer Drw		sheet 2 of 3	

NOTES:

- 1) "FCI", PART NUMBER AND DATE CODE TO BE MARKED ON THIS SURFACE.
THE P/N CAN BE OMITTED IF THERE IS NOT ENOUGH SPACE ON THIS SURFACE.
- 2) MATERIALS:
-HOUSING - GLASS FILLED WITH HIGH TEMP THERMOPLASTIC, UL94V-0.
-SIGNAL CONTACT - COPPER ALLOY.
-POWER CONTACT - HIGH CONDUCTIVITY COPPER ALLOY.
- 3) PLATING SPECIFICATION REFER TO FCI 10116351.
- 4) DENOTES CONNECTOR KEEP OUT ZONE.
- 5) DATUM AND BASIC DIMENSIONS WERE ESTABLISHED BY CUSTOMER.
- 6) ALL HOLE DIAMETERS ARE FINISHED HOLE SIZES.
- 7) 1.15 ± 0.025 MM DRILLED HOLE PLATED WITH 0.00762MM MIN Sn
OVER 0.0254-0.0762MM Cu PLATING TO ACHIEVE A 1.02 ± 0.07 MM HOLE.
- 8) PRODUCT SPECIFICATION REFER TO FCI GS-12-658.
APPLICATION SPECIFICATION REFER TO FCI GS-20-141.
PRODUCT PACKAGED IN TRAYS, REFER TO FCI GS-14-1502.
- 9) A $\triangle B$ SYMBOL WILL BE NEXT TO ANY DIMENSION, VIEW, OR NOTE WHICH
HAS BEEN MODIFIED WITH THE CURRENT DRAWING REVISION.



Copyright FCI.

dr	Helen Zhang	2011/10/09	projection 	MM 	size	A3	scale	3:2
eng	Peng-Bing Fu	2012/11/13			ecn no	ELX-DG-013146-1		
chr	Tian-Xu Huang	2012/11/13			product family	PwrBlade+	rel level	Released
appr	Pei-Ming Zheng	2012/11/13			title 6HP + 24S + 6HP VERTICAL PF RECEPTACLE		dwg no 10106131-C006001	rev B
www.fci.com		cat. no.	-	Product - Customer Drw		sheet 3 of 3		