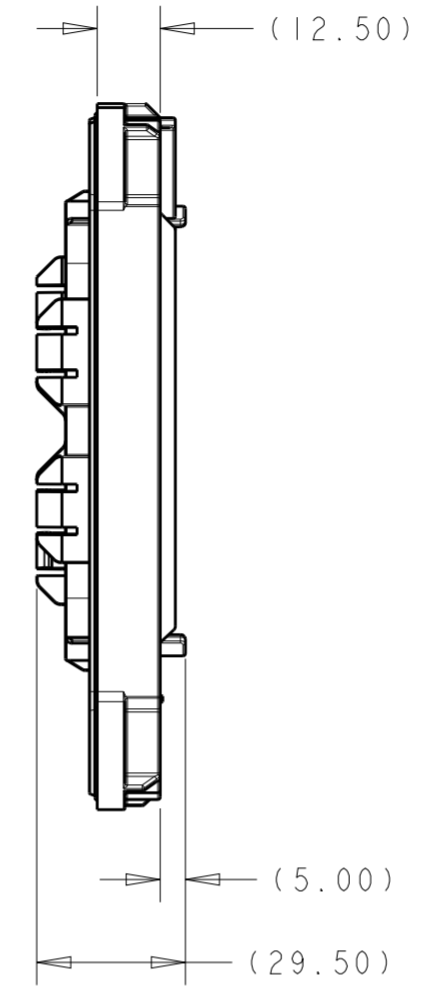
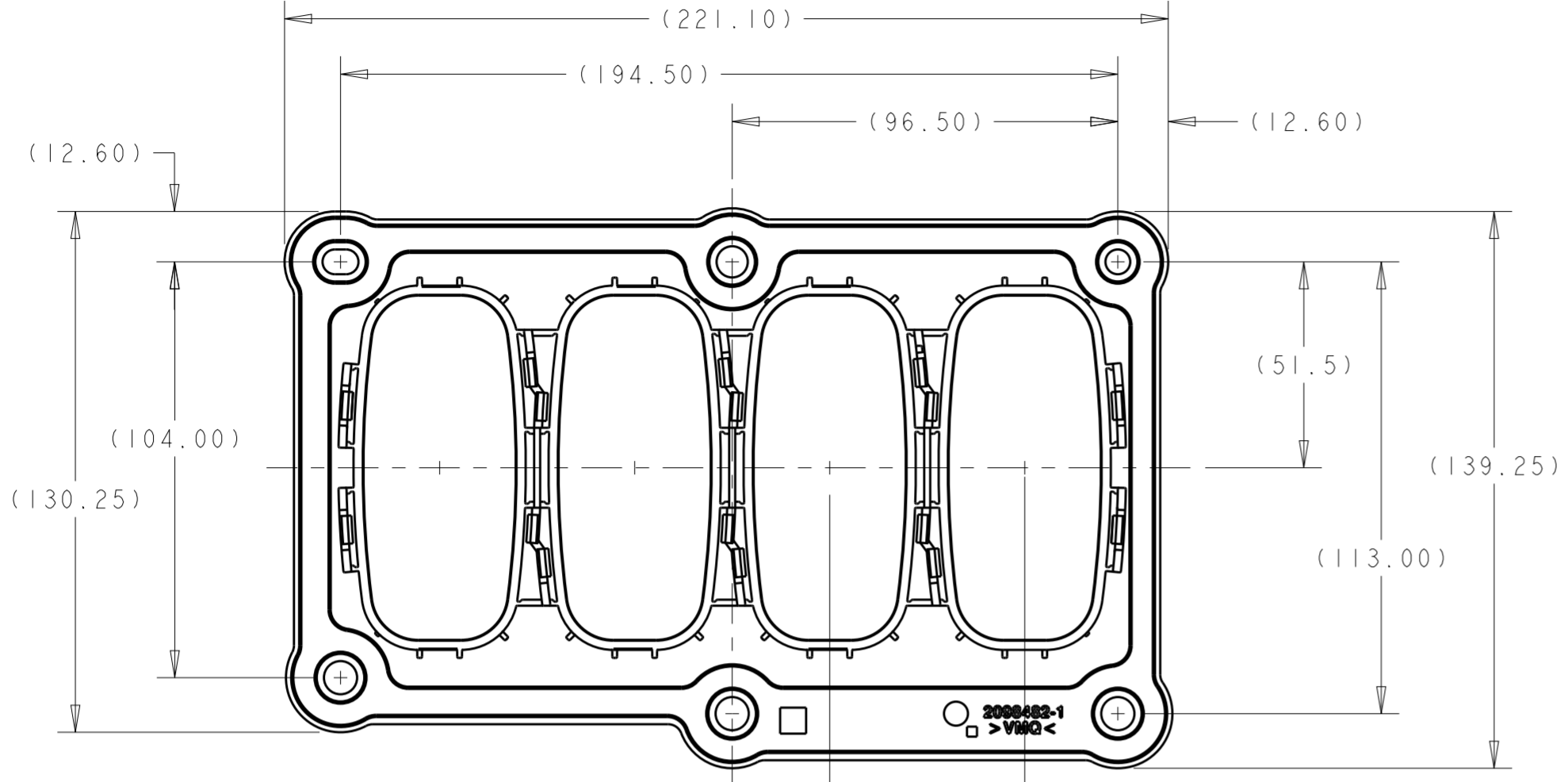
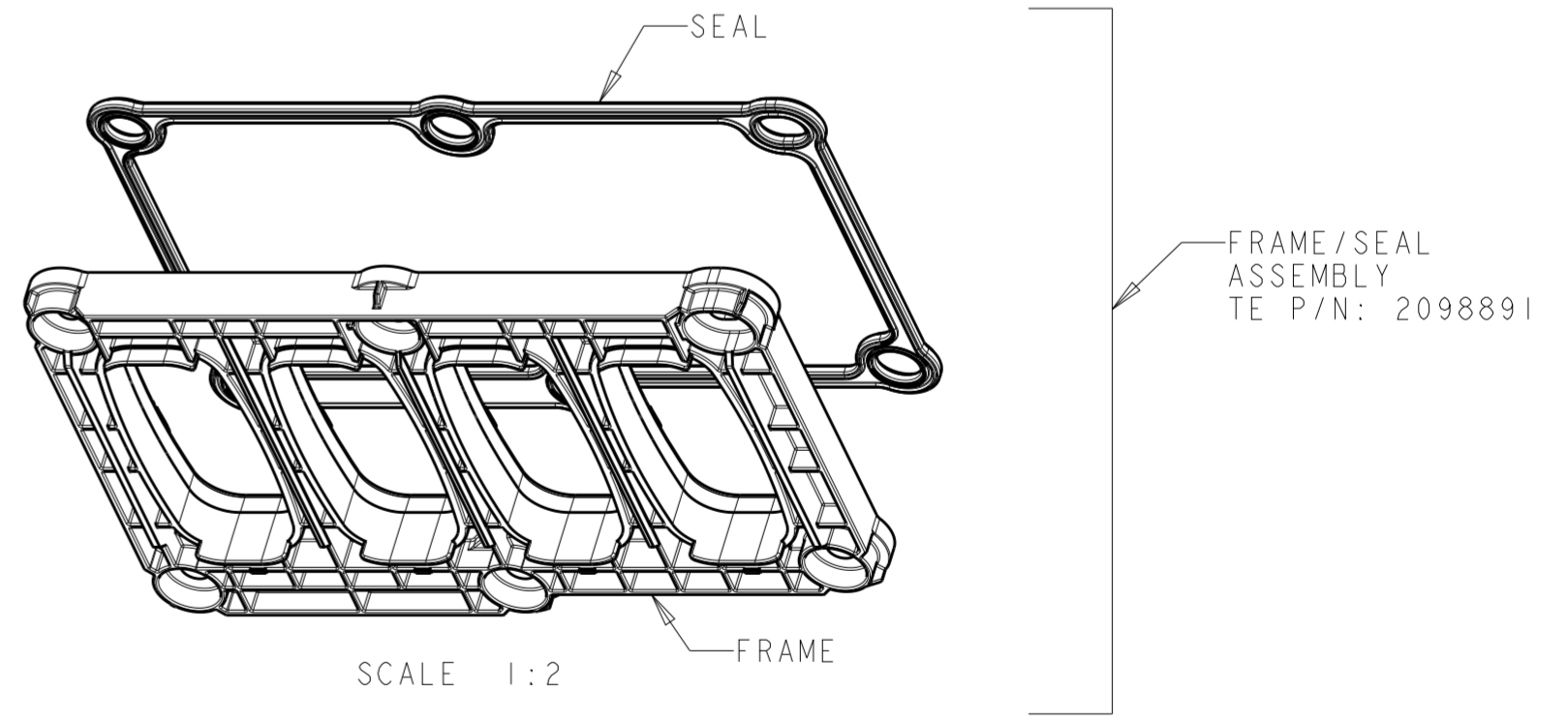
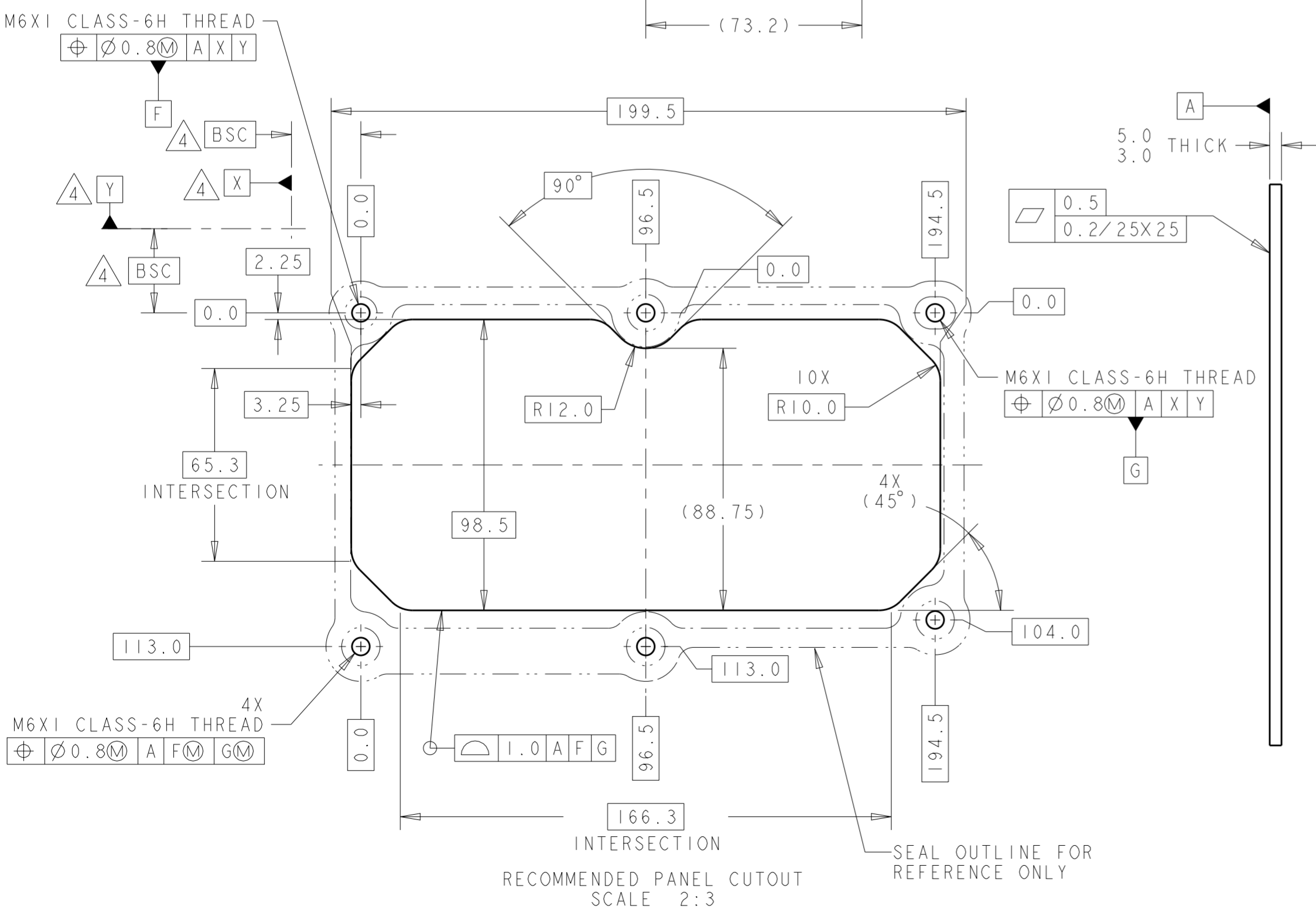


THIS DRAWING IS UNPUBLISHED. RELEASED FOR PUBLICATION 20
 © COPYRIGHT 20 BY - ALL RIGHTS RESERVED.

LOC	DIST	REVISIONS			
P	LTR	DESCRIPTION	DATE	DWN	APVD
FX	00				
	B4	REVISED PER ECO-12-015213	23AUG2012	DD	DS
	B5	REVISED PER ECO-13-002502	18FEB2013	DD	DS



- 1. MATERIALS - FRAME: >PBT-GF30<, COLOR: BLACK
SEAL: SILICONE RUBBER, COLOR: ORANGE
- 2. FRAME ACCEPTS ANY COMBINATION OF 39-WAY TAB HOUSING (1718323), 62-WAY TAB HOUSING (1718324), OR BLOCK OFF PLATE (2098819)
- 3. CONNECTORS ARE SECURED USING LOCKING SLIDE (1718329-1) PURCHASED SEPARATELY.
- 4. DATUMS AND BASIC DIMENSIONS ESTABLISHED BY CUSTOMER.
- 5. FRAME IS SECURED TO PANEL WITH SIX M6 FASTENERS. MAX TORQUE: 75 IN-LBS. WASHER DIAMETER: 14.4±0.4 HEAD HEIGHT: 4.5 MAX



2098891-2
TE PN

THIS DRAWING IS A CONTROLLED DOCUMENT.		DWN	J. SANDBURG	22MAR2010	TE Connectivity NAME FLANGE ASSEMBLY FOUR BAY SEALED FOR MCP 39-WAY AND 62-WAY TAB HOUSINGS
DIMENSIONS:		CHK	J. SANDBURG	22MAR2010	
mm		APVD	J. SANDBURG	22MAR2010	
TOLERANCES UNLESS OTHERWISE SPECIFIED:		PRODUCT SPEC		SIZE	
0 PLC	±	APPLICATION SPEC		CAGE CODE	
1 PLC	±	WEIGHT		DRAWING NO	
2 PLC	±	MATERIAL		RESTRICTED TO	
3 PLC	±	Customer Drawing		A200779	
4 PLC	±	SCALE		2:3	
ANGLES	±2	SHEET		1 OF 1	
FINISH		REV		B5	