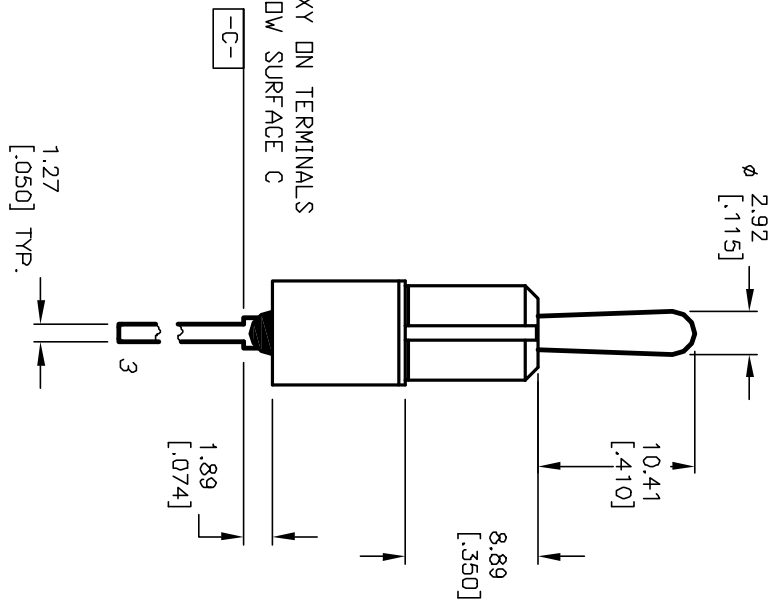
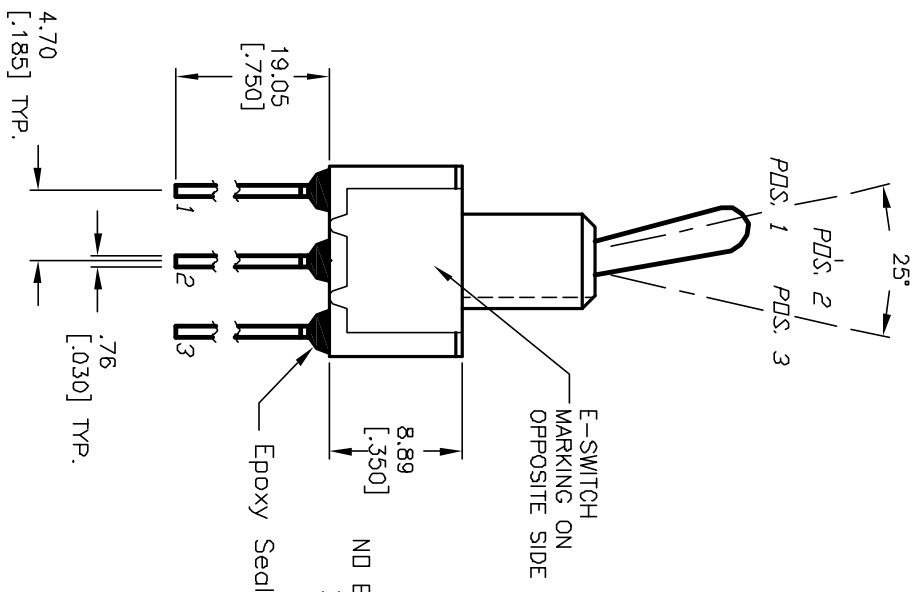
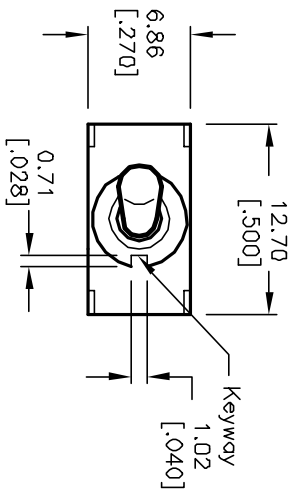


SWITCH FUNCTION		
PDS. 1	PDS. 2	PDS. 3
DN	OFF	DN
2-3	OPEN	2-1

NOTES:

1. ALL DIMENSIONS IN MM [INCH]
2. GENERAL TOLERANCE: X.X=±0.4  
X.XX=±0.25
3. TERM. NDS. FOR REF. ONLY
4. RATING: 0.4VA @20V AC or DC
5. FIXED TERMINAL/MOVING CONTACT:  
Copper Alloy W/GOLD plate over  
Nickel plate.
6. ELECTRICAL LIFE: 50,000 make-and-break  
cycles at full load.
7. INSULATION RESISTANCE: 1,000M ohm min.
8. DIELECTRIC STRENGTH: 1000V RMS @sea level
9. OPERATING TEMP.: -30°C to +85°C



REV.	ECN No.	DESCRIPTION	DATE	CHK'D
A	12083	RELEASED FOR PRODUCTION	4/25/02	CJB

TITLE		SCALE	DATE	DR	DWG	REV
100 SP-3 T1 B2 M5-1 R E		2:1	4/25/02	CJB	T113002	A



THE INFORMATION CONTAINED IN THIS DOCUMENT IS PREPARED FOR E-SWITCH AND IS NOT TO BE COPIED OR TRANSMITTED