

# List of Recommended Alternative Products for the LDL Series

Sale of the LDL Series will be discontinued from February 28, 2011. Please specify the recommended replacement product from the LDL2 Series when ordering.

June 2011

Discontinued Products: LDL Series				Recommended Replacement Products: LDL2 Series			
Direct Number	Model Name	Power Consumption	Dimension	Direct Number	Model Name	Power Consumption	Dimension
1000591	LDL-34X8	12 V/1.2 W	1	The LDL-34X8 Series will continue to be sold as special-order products.			
1002728	LDL-34X8SW2	24 V/1.6 W					
1000598	LDL-34X8-SW	24 V/1.4 W					
1000592	LDL-34X8-BL						
1000594	LDL-34X8-GR						
				1004646	LDL2-33X8RD	24 V/1.3 W	A
				1004647	LDL2-33X8SW	24 V/0.8 W	
				1004648	LDL2-33X8BL		
				1004649	LDL2-33X8GR		
1000626	LDL-42X15	12 V/1.5 W	2	1003702	LDL2-41X16RD	24 V/1.9 W	B
1002729	LDL-42X15SW2	24 V/1.9 W					
1000642	LDL-42X15-SW	24 V/2.0 W					
1000627	LDL-42X15-BL						
1000629	LDL-42X15-GR						
1000712	LDL-74X27-N	12 V/5.4 W	3	1003726	LDL2-74X30RD	24 V/5.7 W	C
1000720	LDL-74X27-W	24 V/6.9 W					
1002730	LDL-74X27SW2						
1000715	LDL-74X27-SW						
1000709	LDL-74X27-BL						
1000710	LDL-74X27-GR						
1000734	LDL-82X15	12 V/3.0 W	4	1003710	LDL2-80X16RD	24 V/3.8 W	D
1002731	LDL-82X15SW2	24 V/3.8 W					
1000745	LDL-82X15-SW	24 V/4.1 W					
1000737	LDL-82X15-BL						
1000738	LDL-82X15-GR						
1000436	LDL-130X15	12 V/4.8 W	5	1003734	LDL2-146X30RD	24 V/12 W	E
1002732	LDL-130X15SW2	24 V/6.1 W					
1000446	LDL-130X15-SW	24 V/6.5 W					
1000437	LDL-130X15-BL						
1000438	LDL-130X15-GR						
				*1 LDL2-158X16-series Bar Light Units with a light-emitting width of 16 mm are available by special order.			
1000486	LDL-180X16	12 V/6.6 W	6	1003742	LDL2-218X30RD	24 V/18 W	F
1002733	LDL-180X16SW2	24 V/8.4 W					
1000492	LDL-180X16-SW	24 V/9.0 W					
1000487	LDL-180X16-BL						
1000488	LDL-180X16-GR						
				*2 LDL2-197X16-series Bar Light Units with a light-emitting width of 16 mm are available by special order.			
1000553	LDL-247X16	12 V/9.0 W	7	1003750	LDL2-266X30RD	24 V/21 W	G
1002759	LDL-247X16SW2	24 V/12 W					
1000556	LDL-247X16-SW						
1000554	LDL-247X16-BL						
1000555	LDL-247X16-GR						
				*3 LDL2-236X16-series and LDL2-275X16-series Bar Light Units with a light-emitting width of 16 mm are available by special order.			
Information				Information			
* Sale of the LDL Series will be discontinued from February 28, 2011.				* Diffusion Plates (DF), Polarizing Plates (PL), Protective Plates (CV), and Brackets (BK) are available as optional products.			
* Please specify the recommended replacement product from the LDL2 Series when ordering.				* Sizes other than those given above are available by special order. (There are cases where manufacture is not possible.)			
Note				* There is also a wide type (-WD) that diffuses illumination over a wide range other than the LDL2 Series given above.			
* Manufacturing of the following optional Diffusion Plates (DF) and Polarizing Plates (PL) will also be discontinued. (The following products cannot be used with the LDL2 Series.)				Note			
Diffusion Plates (DF):				* Only wide-type directional characteristics are available for the LDL2-33X8 Series. Also they are not equipped with Protective Plates.			
DF-LDL-42X15, DF-LDL-74X27, DF-LDL-82X15,				Other			
DF-LDL-130X15, DF-LDL-180X16, DF-LDL-247X16				* Refer to the corresponding product catalog or website for details.			
Polarizing Plates (PL):				* Confirm equipment functionality and conditions when selecting a product for your application.			
PL-LDL-42X15, PL-LDL-74X27, PL-LDL-82X15,							
PL-LDL-130X15, PL-LDL-180X16, PL-LDL-247X16							

Please contact a CCS sales representative for the prices, dimensions, and delivery times for special-order LDL2 products.

\*1 LDL2-158X16RD (Power consumption: 24 V/7.6 W), LDL2-158X16SW/BL/GR (Power consumption: 24 V/7.6 W)

\*2 LDL2-197X16RD (Power consumption: 24 V/9.5 W), LDL2-197X16SW/BL/GR (Power consumption: 24 V/9.5 W)

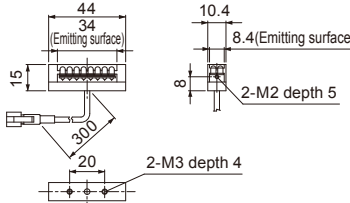
\*3 LDL2-236X16RD (Power consumption: 24 V/12 W), LDL2-236X16SW (Power consumption: 24 V/12 W)

\*3 LDL2-275X16RD (Power consumption: 24 V/14 W), LDL2-275X16SW (Power consumption: 24 V/14 W)

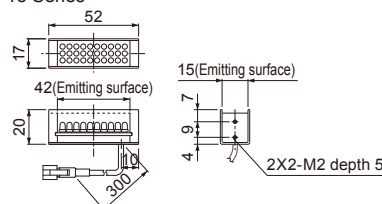
# Diagrams Discontinued Products: LDL Series

(Unit: mm)

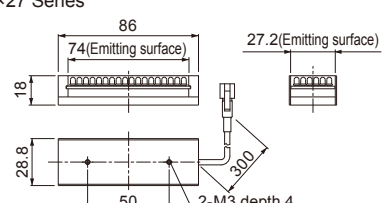
**1. LDL-34×8 Series**



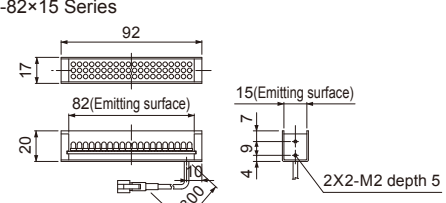
**2. LDL-42×15 Series**



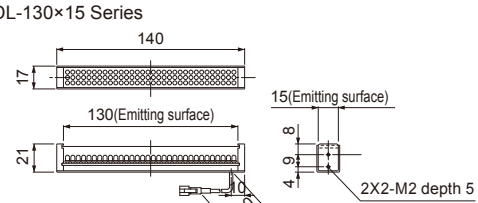
**3. LDL-74×27 Series**



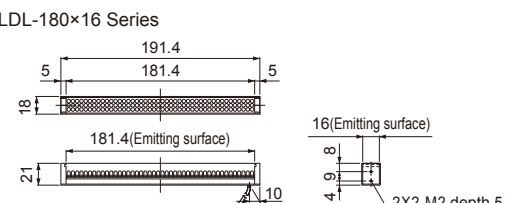
**4. LDL-82×15 Series**



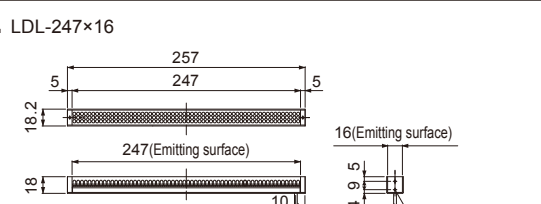
**5. LDL-130×15 Series**



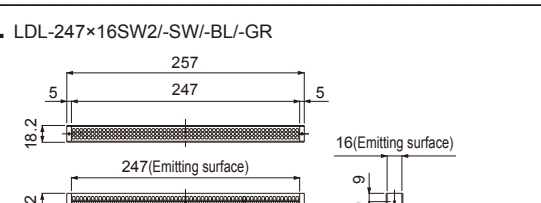
**6. LDL-180×16 Series**



**7. LDL-247×16**



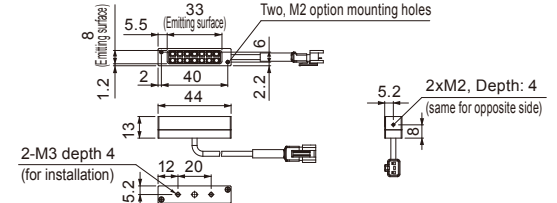
**8. LDL-247×16SW2/-SW/-BL/-GR**



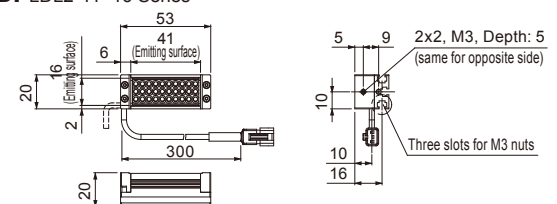
# Diagrams of Recommended Replacement Products: LDL2 Series

(Unit: mm)

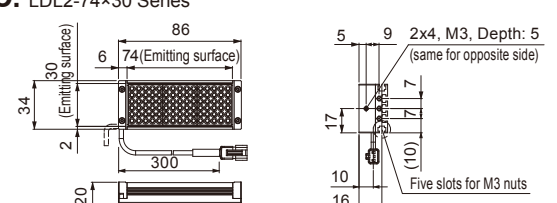
**A. LDL2-33×8 Series**



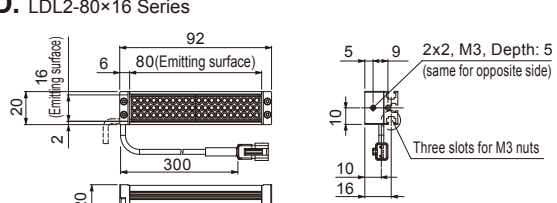
**B. LDL2-41×16 Series**



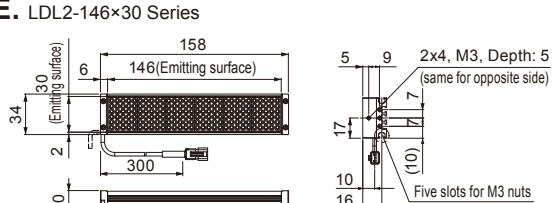
**C. LDL2-74×30 Series**



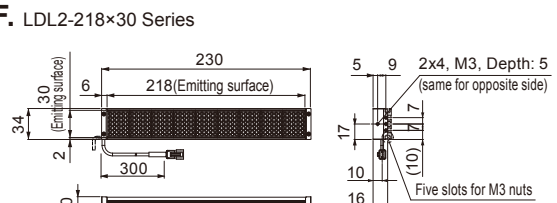
**D. LDL2-80×16 Series**



**E. LDL2-146×30 Series**



**F. LDL2-218×30 Series**



**G. LDL2-266×30 Series**

