

Bus system T-connector - SAC-M12T/2XM12 PBDP - 1458884

Please be informed that the data shown in this PDF Document is generated from our Online Catalog. Please find the complete data in the user's documentation. Our General Terms of Use for Downloads are valid (<http://download.phoenixcontact.com>)



Bus system T-plug, PROFIBUS, M12 B-coded male plug to M12 B-coded male plug and M12 B-coded female plug, shielded



Key commercial data

Packing unit	1 1
Weight per Piece (excluding packing)	40.0 GRM
Custom tariff number	85366990
Country of origin	Germany

Technical data

Ambient conditions

Ambient temperature (operation)	-25 °C ... 80 °C (Plug / socket)
Degree of protection	IP65
	IP67

General

Rated current at 40°C	4 A
Rated voltage	60 V DC
Number of positions	4
Contact resistance	≤ 5 mΩ
Insulation resistance	≥ 1 GΩ
Coding	B - inverse
Standards/regulations	IEC 61076-2-101
Signal type/category	PROFIBUS
Status display	No
Surge voltage category	II
Pollution degree	3

Bus system T-connector - SAC-M12T/2XM12 PBDP - 1458884

Technical data

General

Test voltage	1 kV
Insertion/withdrawal cycles	≥ 100
Torque	0.4 Nm (M12 connector)
	0.6 Nm ... 0.8 Nm (Mounting screw)

Material

Inflammability class according to UL 94	V0
Contact material	CuSn
Contact surface material	Ni/Au
Contact carrier material	PUR
Material of grip body	PUR
Material, knurls	Nickel-plated brass
Sealing material	Viton

Classifications

eCl@ss

eCl@ss 4.0	27060306
eCl@ss 4.1	27060306
eCl@ss 5.0	27061801
eCl@ss 5.1	27061801
eCl@ss 6.0	27279218
eCl@ss 7.0	27279218
eCl@ss 8.0	27279218

ETIM

ETIM 3.0	EC001855
ETIM 4.0	EC002061
ETIM 5.0	EC002061

UNSPSC

UNSPSC 6.01	31251501
UNSPSC 7.0901	31251501
UNSPSC 11	31251501
UNSPSC 12.01	31251501
UNSPSC 13.2	31251501

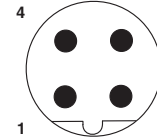
Drawings

Bus system T-connector - SAC-M12T/2XM12 PBDP - 1458884

Schematic diagram

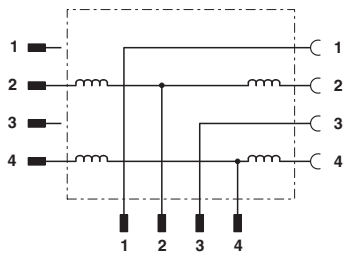
Pin assignment M12 socket, 4-pos., B-coded, view socket side

Schematic diagram



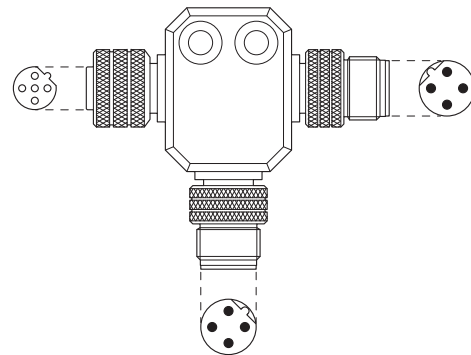
Pin assignment of M12 male connector, 4-pos., B-coded, view of pin side

Circuit diagram



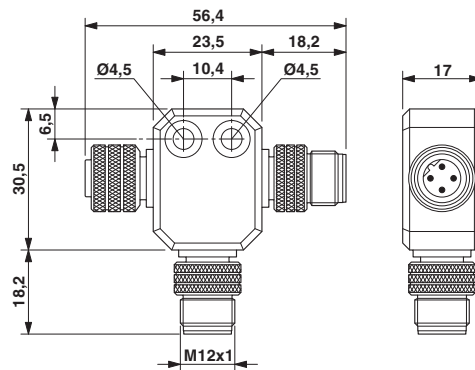
Contact assignment of the M12 plug and the M12 socket

Schematic diagram



Layout of connector pin assignments

Dimensioned drawing



M12 T distributor