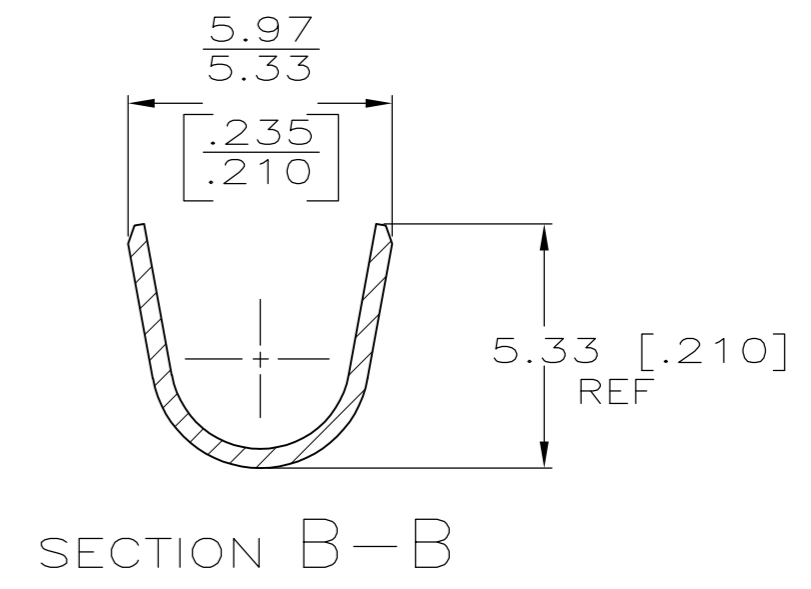
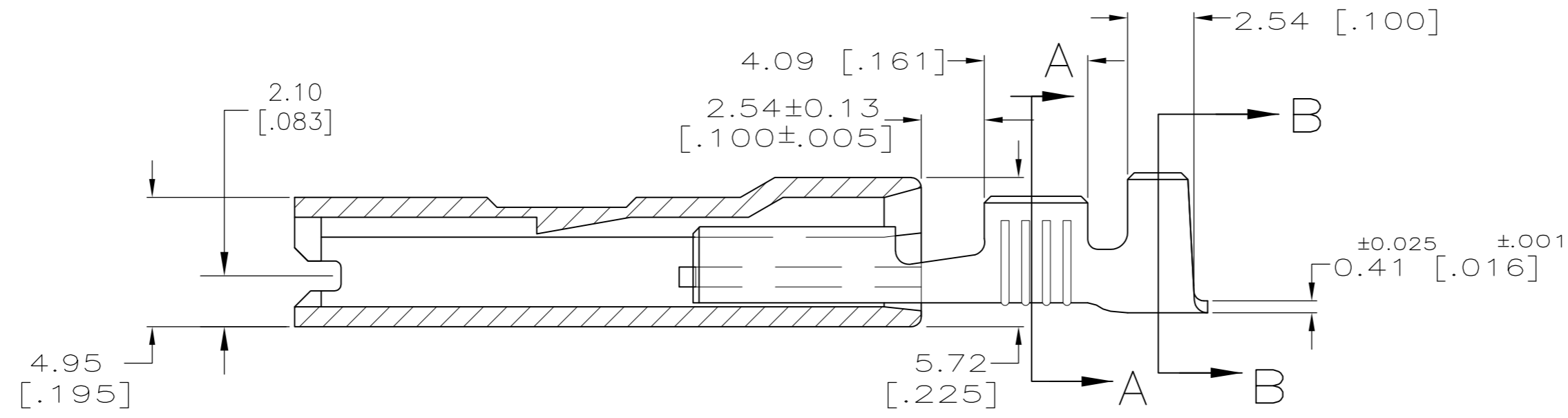
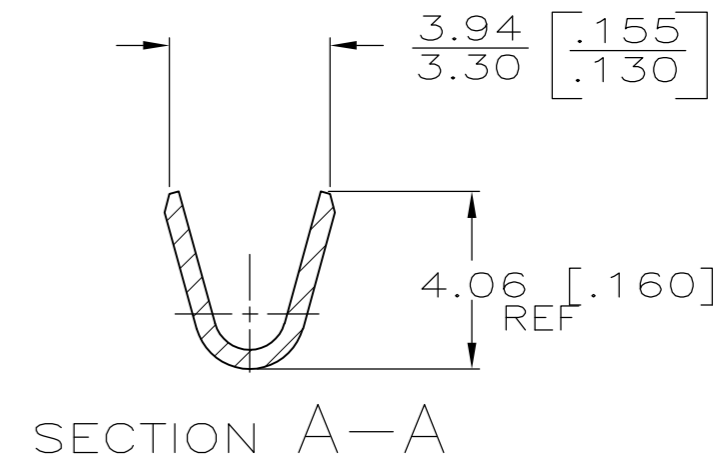
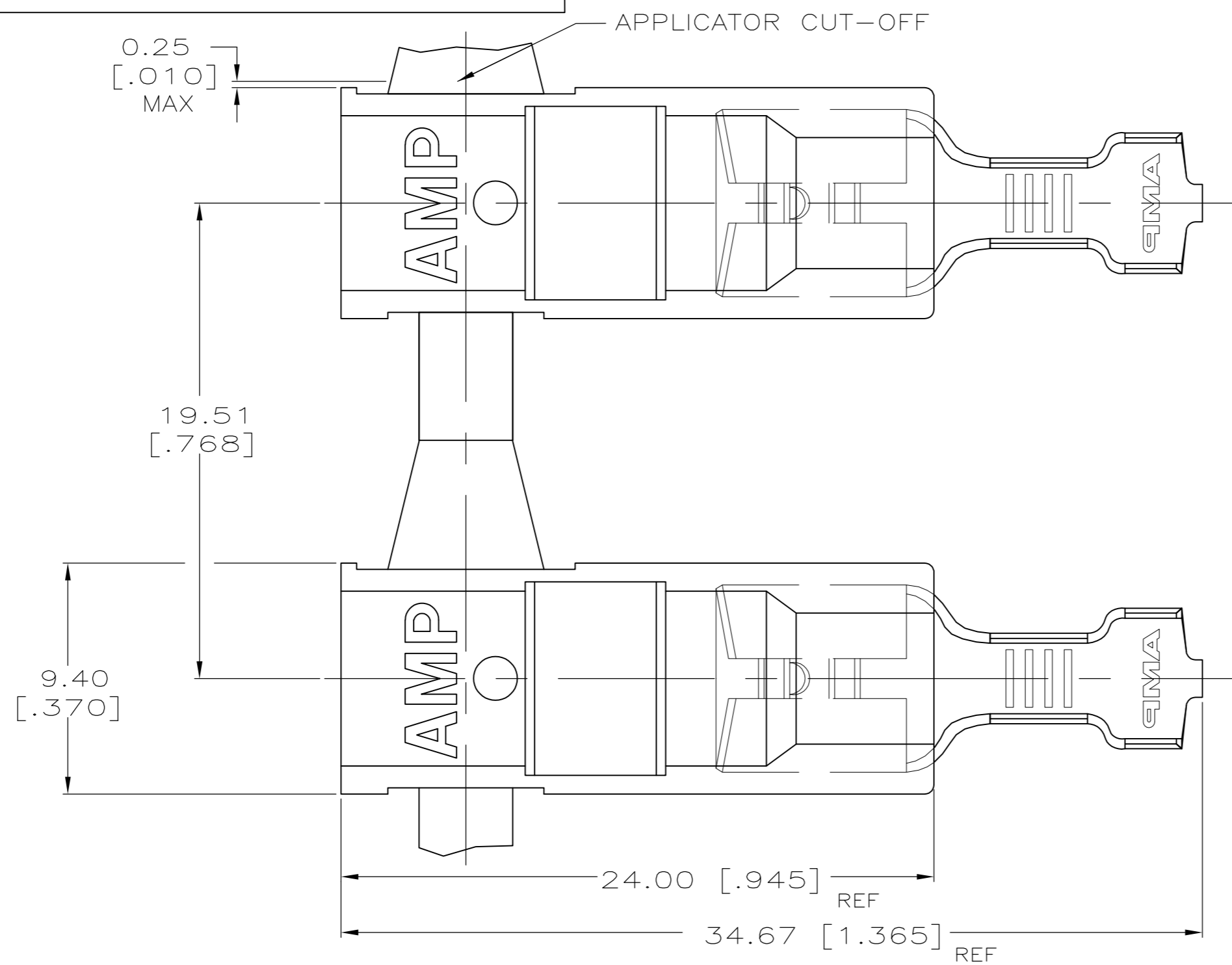


THIS DRAWING IS UNPUBLISHED. RELEASED FOR PUBLICATION
 © COPYRIGHT BY TYCO ELECTRONICS CORPORATION. ALL INTERNATIONAL RIGHTS RESERVED.

LOC	DIST	REVISIONS			
P	LTR	DESCRIPTION	DATE	DWN	APVD
AF	50	A1	REVISED PER ECR-09-002823	12FEB09	HMR GP



- 1 PREMIER FASTON TERMINALS, BASE P/N 42219 ARE USED FOR -1.
- 2 NICKEL PLATE 0.00381 [.000150] MIN
- 3 MATERIAL: HOUSING - V0, 6/6 NYLON
TERMINAL - SEE TABLE
- 4 FINISH: HOUSING - NATURAL(WHITE)
TERMINAL - SEE TABLE.

#2 HD STEEL	2 NICKEL	2.79-4.32 [.110-.170] DIA	0.8-2.0 mm ² [18-14]	0.813 [.032]	1969207-1
TERMINAL MATERIAL	TERMINAL FINISH	INSULATION RANGE	WIRE SIZE	MATING TAB THK ±0.025 [±.001]	PART NO.

THIS DRAWING IS A CONTROLLED DOCUMENT.

DIMENSIONS: INCHES	TOLERANCES UNLESS OTHERWISE SPECIFIED:	DWN RAGHAVENDRA 27JUN2008	Tyco Electronics Corporation Harrisburg, PA 17105-3608
	0 PLC ± -	CHK PORTA GARY 27JUN2008	
	1 PLC ± -	APVD PORTA GARY 27JUN2008	
	2 PLC ± -	PRODUCT SPEC	
MATERIAL	FINISH	APPLICATION SPEC	NAME
3	4	114-2124	RECEPTACLE, 6.35 [.250] SERIES
CUSTOMER DRAWING		WEIGHT -	RESTRICTED TO -
SCALE 5:1		SHEET 1 of 1	REV A1