

10 9 8 7 6 5 4 3 2 1

F

E

D

C

B

A

F

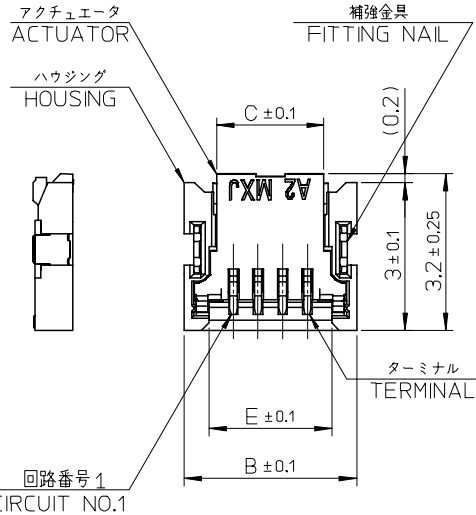
E

D

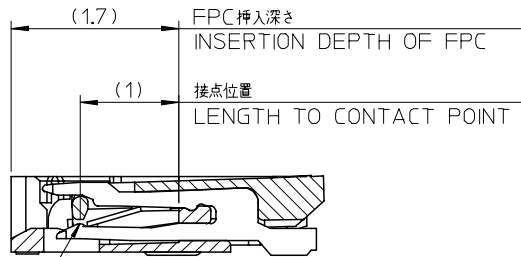
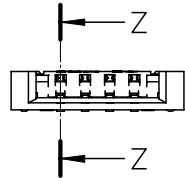
C

B

A

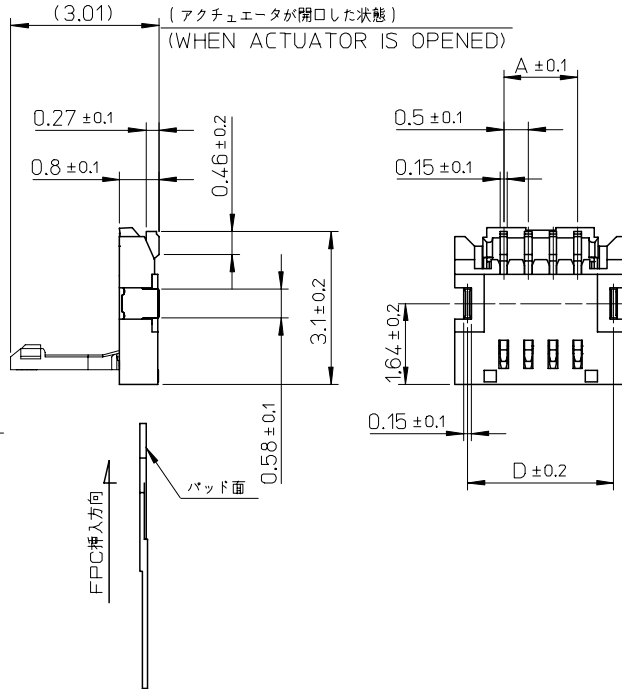


回路番号1
CIRCUIT NO.1



接点部(下面)
CONTACT POINT
(BOTTOM CONTACT)

SECTION Z-Z

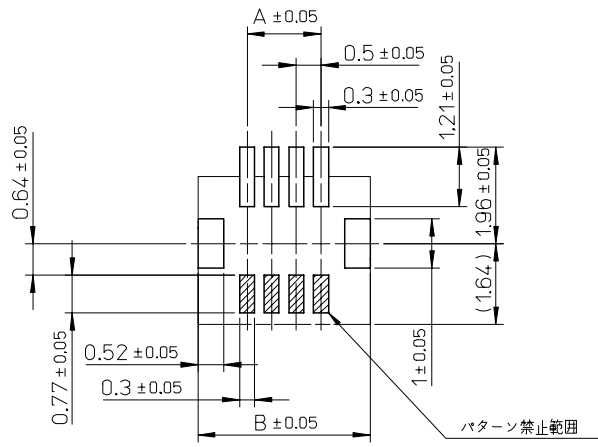


注記
NOTES:

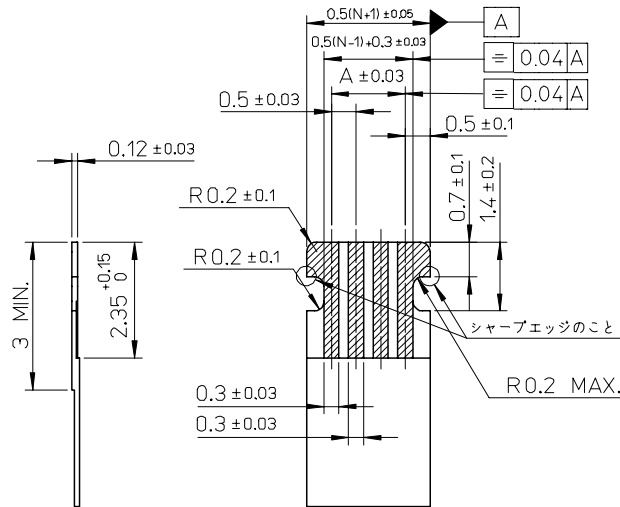
- 材質
MATERIAL
ハウジング:耐熱性樹脂、ガラス充填、UL94V-0
HOUSING:HEAT RESISTANCE POLYMER, GLASS FILLED, UL94V-0
アクチュエーター:耐熱性樹脂、ガラス充填、UL94V-0
ACTUATOR:HEAT RESISTANCE POLYMER, GLASS FILLED, UL94V-0
ターミナル:銅合金 (t=0.15)
TERMINAL: COPPER ALLOY (t=0.15)
補強金具:銅合金 (t=0.15)
NAIL: COPPER ALLOY (t=0.15)
- めっき仕様
PLATING
ターミナル: 部分金メッキ
接点部 0.1マイクロメートル以上
半田付け部 0.05マイクロメートル以上
TERMINAL: SEPARATED GOLD PLATING
CONTACT AREA 0.1 MICROMETER MINIMUM.
SOLDER TAIL AREA 0.05 MICROMETER MINIMUM.
下地 ニッケルメッキ 1.0マイクロメートル以上
UNDER PLATING; NICKEL PLATING 1.0 MICROMETER MINIMUM.
補強金具: 錫メッキ 1.0マイクロメートル以上
NAIL: TIN PLATING 1.0 MICROMETER MINIMUM.
下地 ニッケルメッキ 1.0マイクロメートル以上
UNDER PLATING; NICKEL PLATING 1.0 MICROMETER MINIMUM.
- 平坦度は、0.1mm以下とする。
TAILS AND NAILS COPLANARITY TO BE 0.1mm MAXIMUM.
- ELV AND RoHS COMPLIANT.

4.5	4.97	4.18	5.5	3.5	501461-0802	501461-0808	8
E	D	C	B	A	エンボス梱包 EMBOSSED PACKAGING	製品番号 MATERIAL NO.	極数(N) CIRCUITS(N)

RELEASED EC NO: J2008-0606 DRWN: AOYAGI 2007/09/06 CHKD: HARUYAMA 2007/09/10 APPR: NUKITA 2007/09/10	DESCRIPTION	GENERAL TOLERANCES (UNLESS SPECIFIED)	DIMENSION STYLE MM ONLY	SCALE 10:1	DESIGN UNITS METRIC	THIRD ANGLE PROJECTION
	REV	10 UNDER ±0.2	DRAWN BY Y. AOYAGI	DATE 2007/09/05	TITLE 0.5 FPC CONN BACK FLIP HGT=0.8 HSG ASSY	
	0	10 OVER 30 UNDER ±0.25	CHECKED BY T. HARUYAMA	DATE 2007/09/05	APPROVED BY MOLEX INCORPORATED	
		30 OVER ±0.3	APPROVED BY N. UKITA	DATE 2007/09/05	MATERIAL NO.	DOCUMENT NO. SD-501461-003
		ANGULAR ±1	SEE TABLE			
		DRAFT WHERE APPLICABLE MUST REMAIN WITHIN DIMENSIONS	THIS DRAWING CONTAINS INFORMATION THAT IS PROPRIETARY TO MOLEX INCORPORATED AND SHOULD NOT BE USED WITHOUT WRITTEN PERMISSION			



推奨基板寸法
RECOMMENDED P.C. BOARD PATTERN LAYOUT



推奨FPC寸法
RECOMMENDED FPC PATTERN LAYOUT

FPCについて:
 抜き方向は、導体側から補強板側を推奨します。
 補強フィルム材質は、ポリイミドを推奨します。
 接着剤は、熱硬化接着剤を推奨します。
 尚、接着剤の接点部への付着は、導通不良の原因となりますので染み出しが無いよう、お願いします。

ABOUT FPC:
 RECOMMENDED PUNCHER DIRECTION:
 FROM CONDUCTOR SIDE TO STIFFNER FILME SIDE.
 RECOMMENDED MATERIAL:
 STIFFNER FILME: POLYIMIDE
 BONDING AGENT: THRMOSSETTING AGENT
 PLEASE PUT APPROPRIATE AMOUNT OF ASHESIVE MAY CAUSE
 THE DEFECT IN ELECTRICAL CONTINUITY.

RELEASED EC NO: J2008-0606 DRWN: AOYAGI 2007/09/06 CHKD: HARUYAMA 2007/09/10 APPR: NUKITA 2007/09/10	GENERAL TOLERANCES (UNLESS SPECIFIED)		DIMENSION STYLE MM ONLY	SCALE 10:1	DESIGN UNITS METRIC	THIRD ANGLE PROJECTION
	10 UNDER	± 0.2	DRAWN BY Y. AOYAGI	DATE 2007/09/05	TITLE 0.5 FPC CONN BACK FLIP HGT=0.8 HSG ASSY	
	10 OVER 30 UNDER	± 0.25	CHECKED BY T. HARUYAMA	DATE 2007/09/05	MOLEX INCORPORATED DOCUMENT NO. SD-501461-003 SHEET NO. 2 OF 2	
	30 OVER	± 0.3	APPROVED BY N. UKITA	DATE 2007/09/05		
	ANGULAR	$\pm 1^\circ$	MATERIAL NO. SEE SHEET 1			
DRAFT WHERE APPLICABLE MUST REMAIN WITHIN DIMENSIONS		SIZE A3	THIS DRAWING CONTAINS INFORMATION THAT IS PROPRIETARY TO MOLEX INCORPORATED AND SHOULD NOT BE USED WITHOUT WRITTEN PERMISSION			

10 9 8 7 6 5 4 3 2 1

F

E

D

C

B

A

F

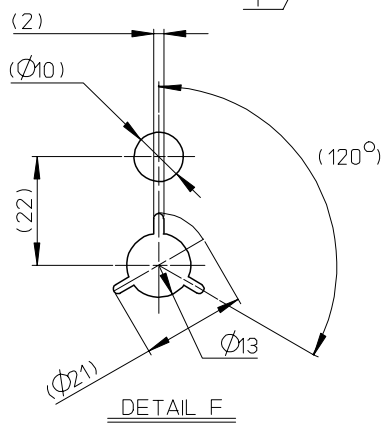
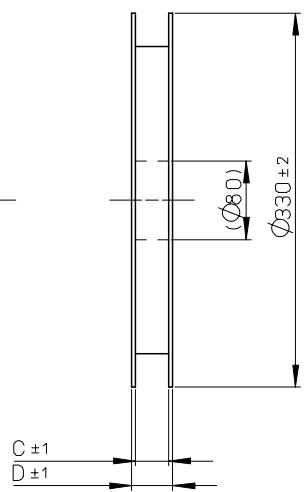
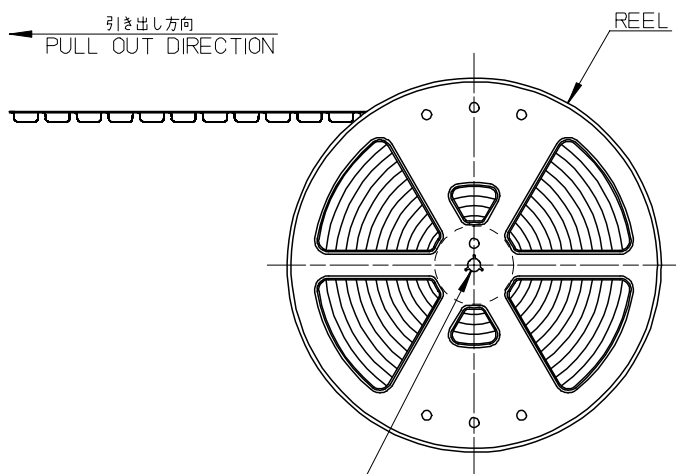
E

D

C

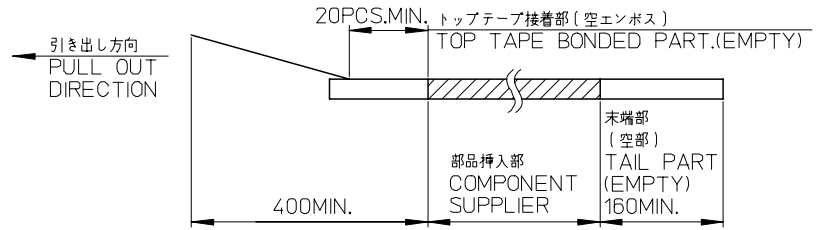
B

A



NOTES

- 製品詳細寸法については製品単体図面を参照下さい。
RE DETAILED DIMENSION, SEE PRODUCT DRAWING.
- 梱包数量: 3000個/リール
NUMBER OF CONNECTORS 3000PCS/REEL
- リードテープ長さ
LEAD TAPE LENGTH



- 材料
MATERIAL
キャリアテープ(CARRIRE TAPE): ポリスチレン (POLYSTYRENE)
トップテープ(TOP TAPE): PET, PE, PEF
リール(REEL): ポリスチレン (PS) <リサイクル材を含む>
POLYSTYRENE(PS) <RECYCLE MATERIAL CONTAIED>
- ELV及びRoHS適合品。
ELV AND RoHS COMPLIANT.

501461-**-02 MODEL NO.

RELEASED EC NO: J2008-0606 DRWN: AOYAGI 2007/09/06 CHKD: HARUYAMA 2007/09/10 APPR: NUKITA 2007/09/10	GENERAL TOLERANCES (UNLESS SPECIFIED)		DIMENSION STYLE MM ONLY		SCALE ---	DESIGN UNITS METRIC	THIRD ANGLE PROJECTION
	10 UNDER	± 0.2	DRAWN BY Y. AOYAGI	DATE 2007/09/05	TITLE 0.5 FPC CONN BACK FLIP H=0.8 EMBSTP PKG		
	10 OVER 30 UNDER	± 0.25	CHECKED BY T. HARUYAMA	DATE 2007/09/05	MATERIAL NO. SEE SHEET 2		
	30 OVER	± 0.3	APPROVED BY N. UKITA	DATE 2007/09/05	DOCUMENT NO. SD-501461-004		
0	ANGULAR	± 1	DRAFT WHERE APPLICABLE MUST REMAIN WITHIN DIMENSIONS		SHEET NO. 1 OF 2		

10 9 8 7 6 5 4 3 2 1

F

E

D

C

B

A

F

E

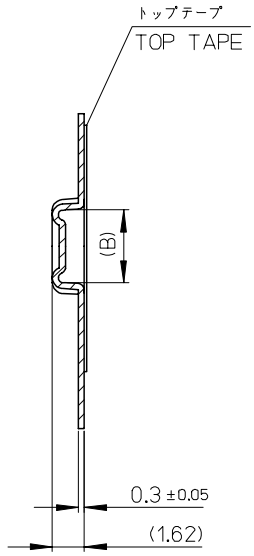
D

C

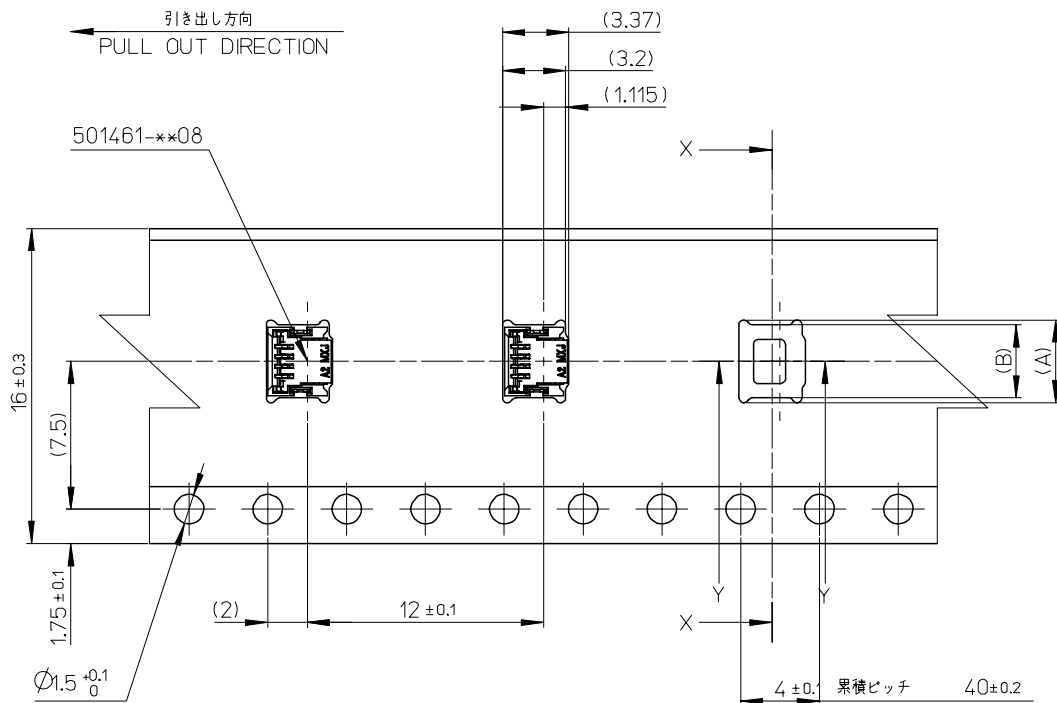
B

A

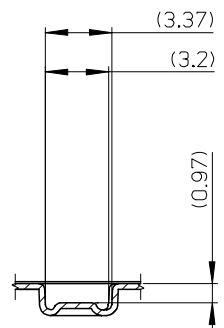
引き出し方向
PULL OUT DIRECTION



SECT. X-X



16mm幅キャリアテープ
16mm WIDTH CARRIER TAPE



SECT. Y-Y

16	21.4	17.4	5.7	6.2	501461-0802	8
キャリアテープ幅 CARRIER TAPE WIDTH	D	C	(B)	(A)	MATERIAL NO.	極数 CIRCUITS

RELEASED EC NO: J2008-0606 DRWN: AOYAGI 2007/09/06 CHKD: HARUYAMA 2007/09/10 APPR: NUKITA 2007/09/10	GENERAL TOLERANCES (UNLESS SPECIFIED)		DIMENSION STYLE MM ONLY		SCALE ---	DESIGN UNITS METRIC	THIRD ANGLE PROJECTION
	10 UNDER	± 0.2	DRAWN BY Y. AOYAGI	DATE 2007/09/05	TITLE 0.5 FPC CONN BACK FLIP H=0.8 EMBSTP PKG		
	10 OVER 30 UNDER	± 0.25	CHECKED BY T. HARUYAMA	DATE 2007/09/05	APPROVED BY N. UKITA 2007/09/05		
	30 OVER	± 0.3	APPROVED BY N. UKITA 2007/09/05		MATERIAL NO. 501461-0802		
0	ANGULAR	± 1	DRAFT WHERE APPLICABLE MUST REMAIN WITHIN DIMENSIONS		MOLEX INCORPORATED		DOCUMENT NO. SD-501461-004
			SEE TABLE		SHEET NO. 2 OF 2		
THIS DRAWING CONTAINS INFORMATION THAT IS PROPRIETARY TO MOLEX INCORPORATED AND SHOULD NOT BE USED WITHOUT WRITTEN PERMISSION							