

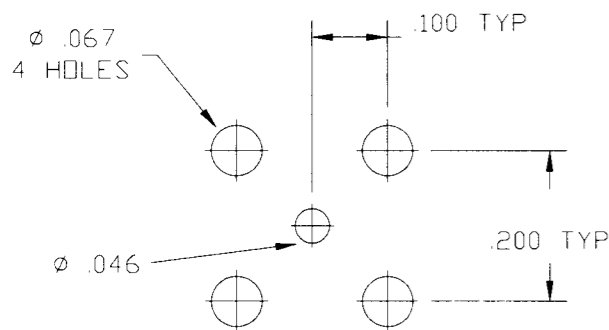
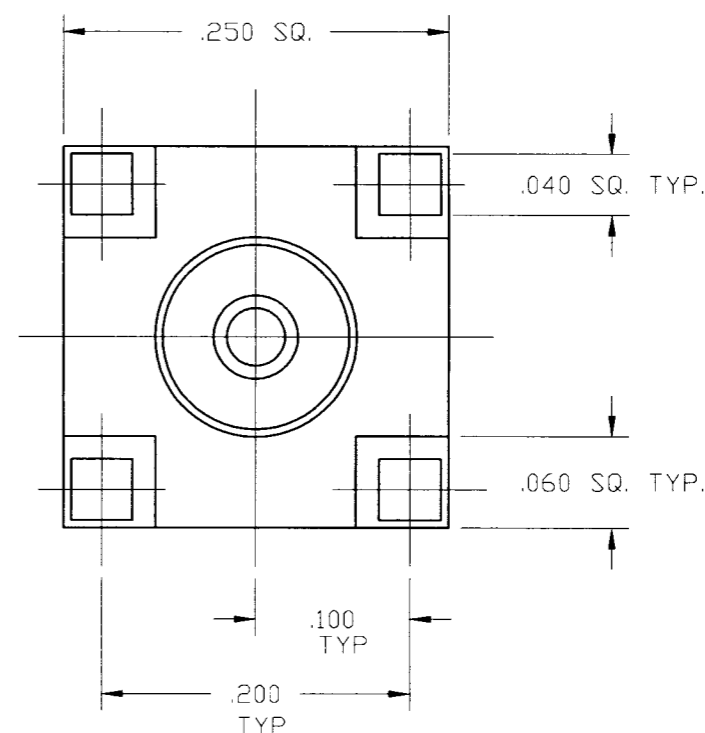
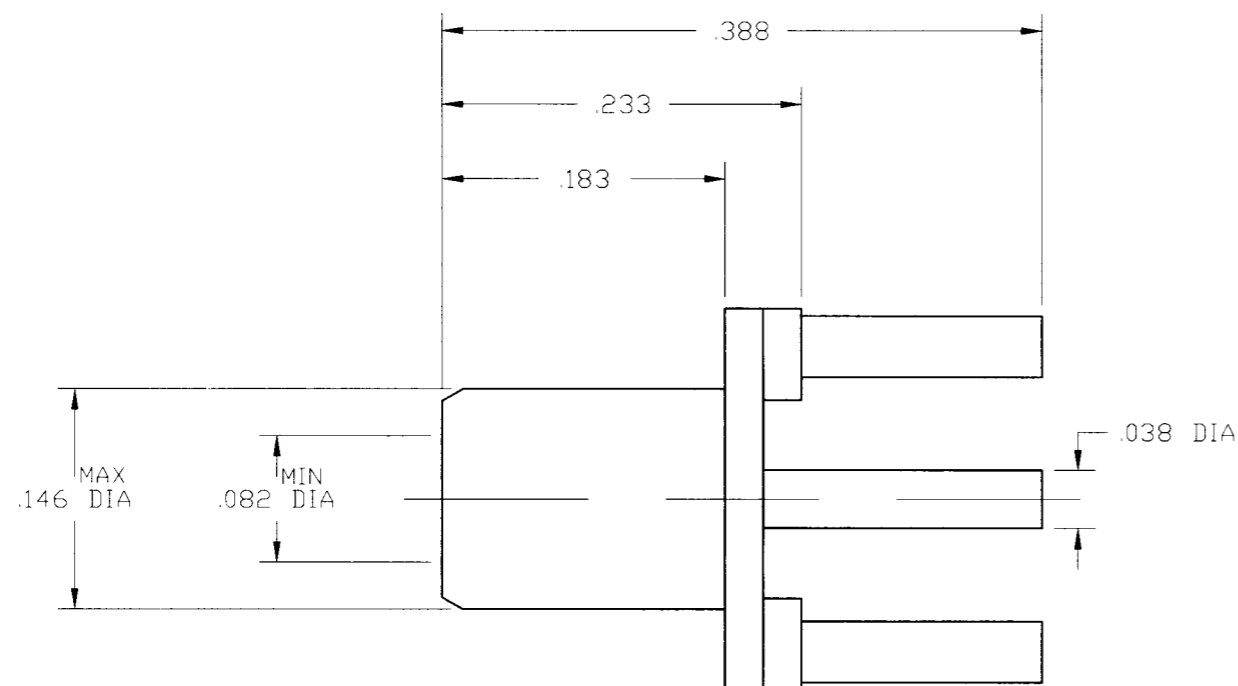
NOTES:

- MATERIALS OF CONSTRUCTION:
 BODY, MALE CONTACT = BRASS, GOLD PLATED
 INSULATOR = TFE, FLUOROCARBON
- DO NOT SCALE THIS DRAWING.

903-409J-53P

REVISIONS

DRAWING NO.	REV	DESCRIPTION	DATE	ECO	APPR
THIRD ANGLE PROJ.	A	RELEASE TO MFG.			
	E	SEE SHEET 1	7/12/00	43433	CPM/



RECOMMENDED MOUNTING HOLE DIMENSIONS

CUSTOMER OUTLINE DRAWING

UNLESS OTHERWISE SPECIFIED, DIMENSIONS ARE IN INCHES AND TOLERANCES ARE: 2 PLACE DECIMAL ± 015 (0,381 mm) 3 PLACE DECIMAL ± 005 (0,127 mm) ANGLES ± 1°	MATERIAL	DRAWN C. McGRATH	DATE 6/29/00	TITLE SLIDE-ON JACK PC MOUNT	Amphenol Amphenol Corporation RF/Microwave Operations Danbury, Conn. U.S.A. 06810 SCALE: 8:1 SHEET 2 OF 2	
	REFERENCE EAR 111-962253	ENGINEER P. BRENZEL	DATE 6/29/00	APPROVED 		DATE 7/20/00
NOTICE - These drawings, specifications, or other data (1) are, and remain the property of Amphenol Corp. (2) must be returned upon request, and (3) are confidential and not to be disclosed to any person other than those to whom they are given by Amphenol Corp. The furnishing of these drawings, specifications, or other data by Amphenol Corp., or to any other person to anyone for any purpose is not to be regarded by implication or otherwise in any manner licensing, granting rights or permitting such holder or any other person to manufacture, use or sell any product, process or design, patented or otherwise, that may in any way be related to or disclosed by said drawings, specifications, or other data.		CAD FILE H:\PETE\SMB\903\ASSY\409J53PC	CODE ID 74868	DWG SIZE B	DRAWING NO. 903-409J-53P	ISSUE F