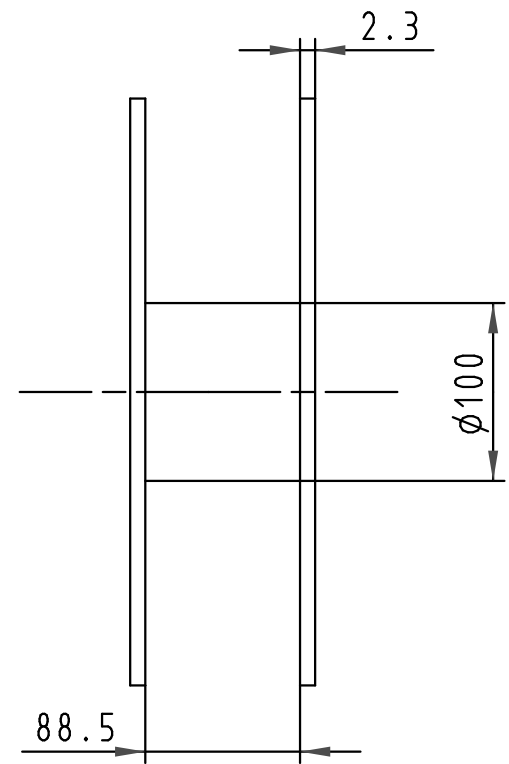
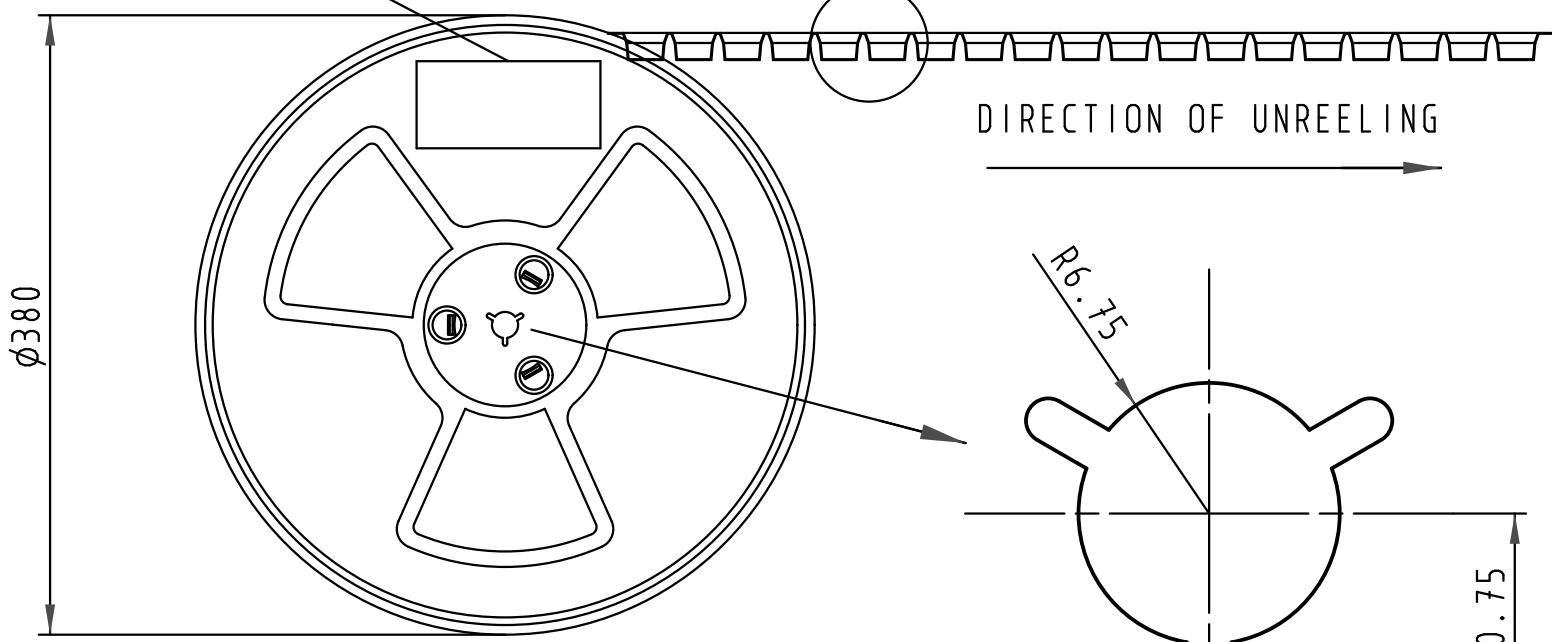
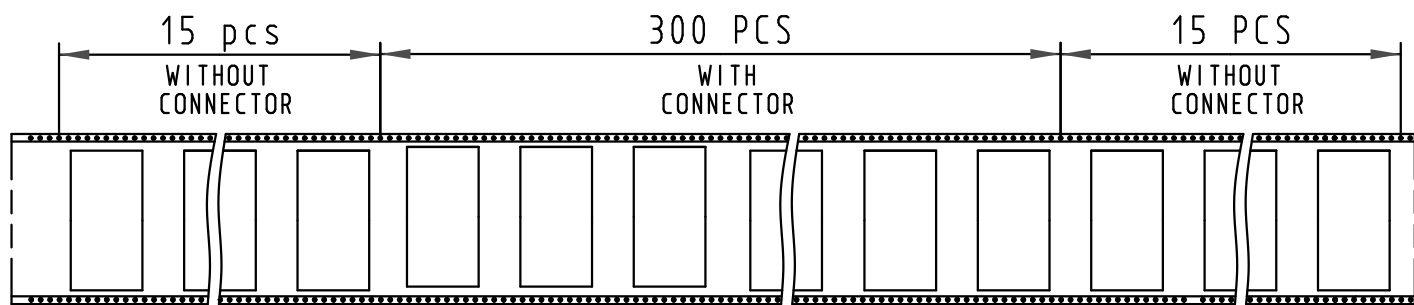
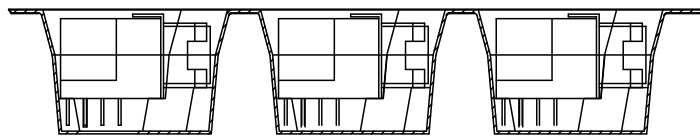
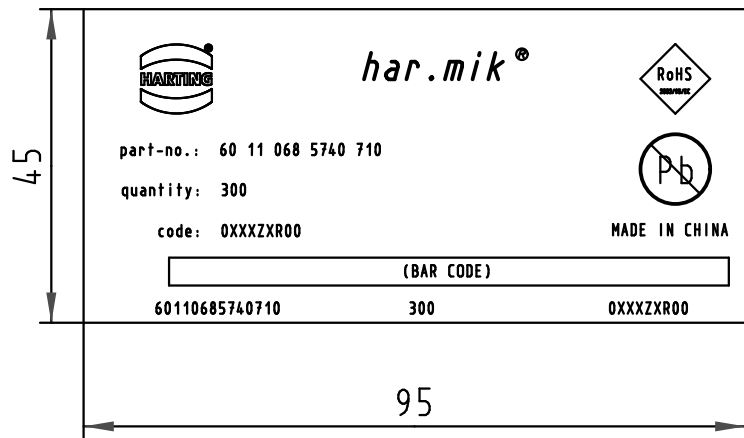


All rights reserved

REEL LABEL



Packaging in accordance with EIA 481-2-A tape & reel packaging for gripping process

1)see TB 60 11 068 5740 folio 1/2 for connector dimensions and PCB layout

60 11 068 5740.710	in reel unit packaging 300 connectors
Part Number	Index designation

	All Dimensions in mm Original Size DIN A 3			Techn. Character.			Free size tolerances			
					Dat.	Name	Scale 2:1	har.mik® I/O bellow 68P Har.mik female SMC with angled solder pins, boardLocks, fixed latches		
				Detail.	29-OCT-09	J.Sheng				
				Insp.						
			Stand.							
EC01456	13-Apr-10	J.Sheng	Zhuhai Harting Limited			TB 60 11 068 5740			Page	
31770	29-OCT-09	J.Sheng							2	
Mod.	Dat.	Name							2	