



PRODUCT DATASHEET

Lena series

last update 26/4/2016

DETAILS

Product Number	C12292_LENA-STD-BASE-MEZ
Family	Lena
Type	Base part
Color	white
Diameter	58,6 mm
Height	12,8 mm
Style	round
Optic Material	
Holder Material	PC
Fastening	screw
Status	production ready
ROHS Compliant	Yes
Date Updated	26/04/2016



OPTICAL PROPERTIES

	Viewing	Light	Effi-		
LED	Angle	Beam	ciency	cd/lm	Connector
Mega Zenigata (GW5DGC)	N/A deg		-	-	-

H

G

F

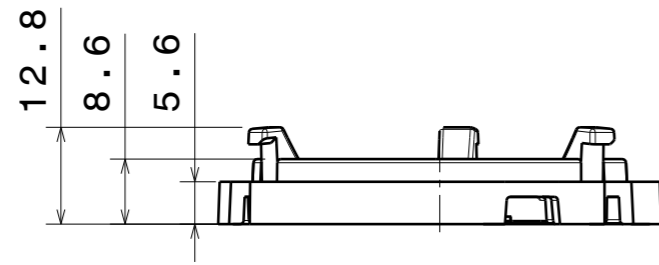
E

D

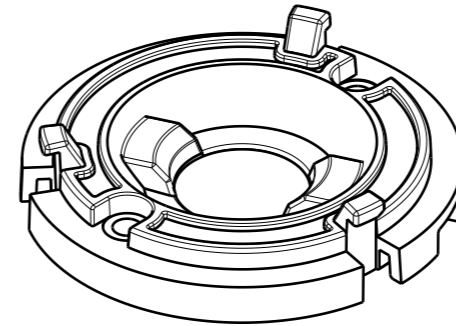
C

B

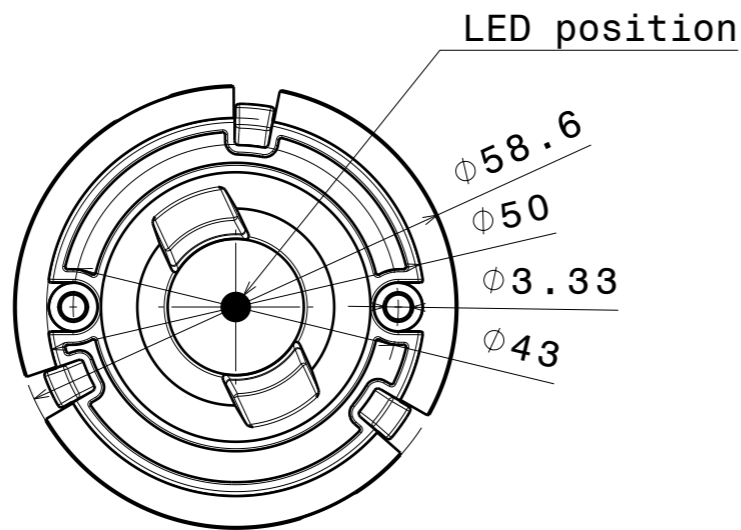
A



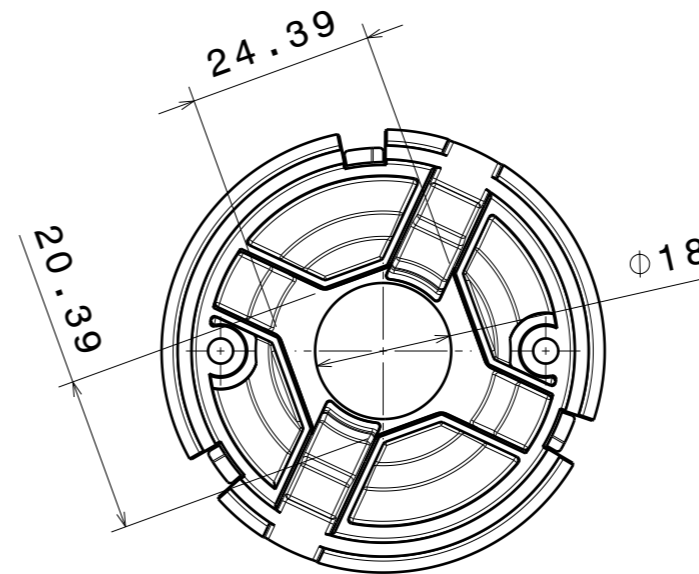
Front view



Isometric view



Top view



Bottom view

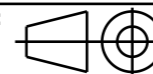
INDEX	PART NO	DESCRIPTION	MATERIAL	COLOUR
1	C12292	LENA-STD-BASE-MEZ	PC	white

Tolerances if not otherwise shown
According to DIN ISO 2768-1
Linear measures: class C
According to DIN ISO 2768-2
Form and position: class L



LediL Oy
Salorankatu 10
FIN 24240 SALO
Finland

THIRD ANGLE PROJECTION:



DRAWING TITLE

C12292_LENA-STD-BASE-MEZ

This drawing is the property of LEDiL Oy. It may not be reproduced, copied or communicated without a written agreement with LEDiL Oy.

SIZE PART NUMBER

A3

C12292

SCALE 1:1 WEIGHT 10,49 g SHEET 1/1

H

G

B

A

NOTE: The typical divergence will be changed by different color, chip size and chip position tolerance. The typical total divergence is the full angle measured where the luminous intensity is half of the peak value.

GENERAL INFORMATION

- Product series especially designed & optimized for series of LEDs.
- Special care taken to make light distribution as uniform as possible.

Note! Due to use of high power COB's with this product, special attention to proper thermal design is highly recommended. LEDiL has no liability for direct, indirect or consecutive damages arising from the LEDiL products being used outside of the recommended temperature range.