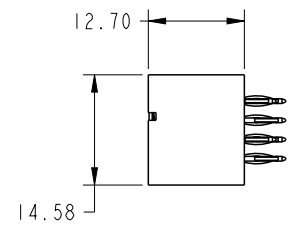
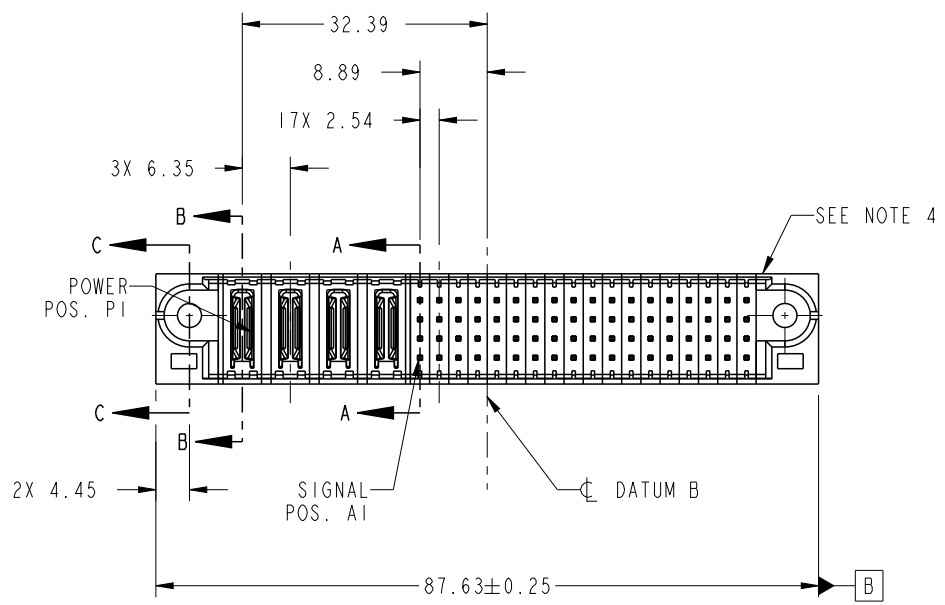


PRODUCT NO. 51712-019-- NOTE ③	ROWS DCBA	POWER				SIGNAL													E2																																																																																																			
		E1	P1	P2	P3	P4	1	2	3	4	5	6	7	8	9	10	11	12		13	14	15	16	17	18																																																																																													
						<table border="1"> <tr><td>K</td><td>G</td><td>K</td><td>K</td><td>G</td><td>K</td><td>G</td><td>K</td><td>G</td><td>K</td><td>G</td><td>K</td><td>G</td><td>K</td><td>G</td><td>K</td><td>G</td><td>K</td><td>G</td><td>K</td><td>G</td><td>K</td><td>G</td><td>K</td></tr> <tr><td>K</td><td>K</td><td>K</td><td>K</td><td>G</td><td>K</td><td>G</td><td>K</td><td>G</td><td>K</td><td>G</td><td>K</td><td>G</td><td>K</td><td>G</td><td>K</td><td>G</td><td>K</td><td>G</td><td>K</td><td>G</td><td>K</td><td>G</td><td>K</td><td>G</td></tr> <tr><td>K</td><td>K</td><td>G</td><td>K</td><td>K</td><td>K</td><td>G</td><td>K</td><td>G</td><td>K</td><td>G</td><td>K</td><td>G</td><td>K</td><td>G</td><td>K</td><td>G</td><td>K</td><td>G</td><td>K</td><td>G</td><td>K</td><td>G</td><td>K</td><td>G</td></tr> <tr><td>K</td><td>G</td><td>K</td><td>K</td><td>K</td><td>K</td><td>K</td><td>K</td><td>G</td><td>K</td><td>G</td><td>K</td><td>G</td><td>K</td><td>G</td><td>K</td><td>G</td><td>K</td><td>G</td><td>K</td><td>G</td><td>K</td><td>G</td><td>K</td><td>G</td></tr> </table>													K	G	K	K	G	K	G	K	G	K	G	K	G	K	G	K	G	K	G	K	G	K	G	K	K	K	K	K	G	K	G	K	G	K	G	K	G	K	G	K	G	K	G	K	G	K	G	K	G	K	K	G	K	K	K	G	K	G	K	G	K	G	K	G	K	G	K	G	K	G	K	G	K	G	K	G	K	K	K	K	K	K	G	K	G	K	G	K	G	K	G	K	G	K	G	K	G	K	G	
K	G	K	K	G	K	G	K	G	K	G	K	G	K	G	K	G	K	G	K	G	K	G	K																																																																																															
K	K	K	K	G	K	G	K	G	K	G	K	G	K	G	K	G	K	G	K	G	K	G	K	G																																																																																														
K	K	G	K	K	K	G	K	G	K	G	K	G	K	G	K	G	K	G	K	G	K	G	K	G																																																																																														
K	G	K	K	K	K	K	K	G	K	G	K	G	K	G	K	G	K	G	K	G	K	G	K	G																																																																																														



CODE	DIM "M" MATING LENGTH	CONTACT TYPE
PC	[N/A]	POWER
K	[5.59]	SIGNAL
G	[6.86]	SIGNAL

spec ref	See Notes		dr	X Q Wang	2012/02/27	projection 	MM 	size	A4	scale	1:1	
tolerance std	TOLERANCES UNLESS OTHERWISE SPECIFIED		eng	X Q Wang	2012/03/02			ecn no	-			
See Notes			chr	-	-			rel level	Released			
surface	linear	0.X	±0.50	FCI 	4P + 72S VERTICAL PRESS FIT HEADER	www.fci.com	cat. no.	-	Product - Customer Drw	sheet 1 of 4	rev	A
		0.XX	±0.25								dwg no	51712-019
	0.XXX	±0.10										
	angular	0°	±2°									



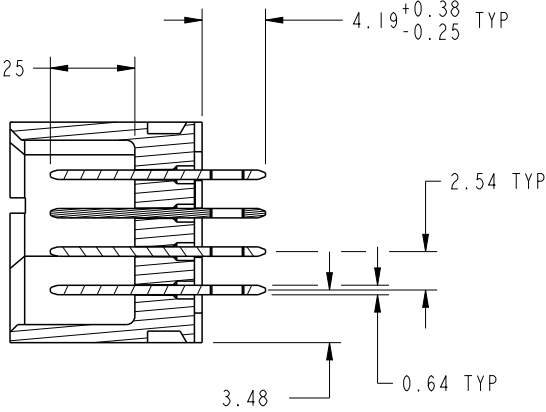
Copyright FCI.

Prod File - REV C - 2009-06-09

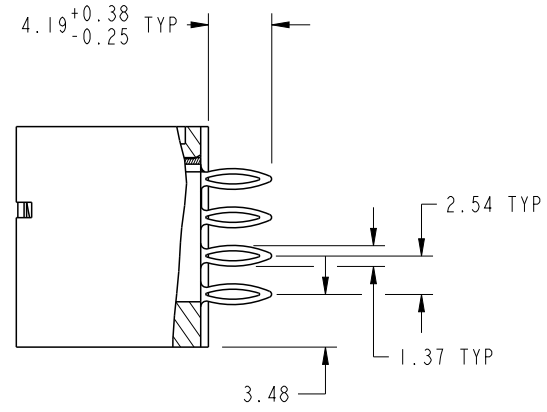
PRODUCT NUMBER

51712-019--
NOTE 3

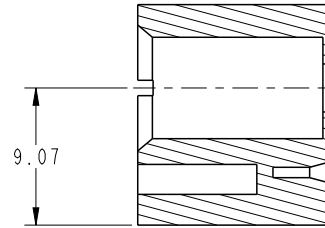
DIM "M" ±0.25



SECTION A-A
SCALE 2:1



SECTION B-B
SCALE 2:1



SECTION C-C
SCALE 2:1

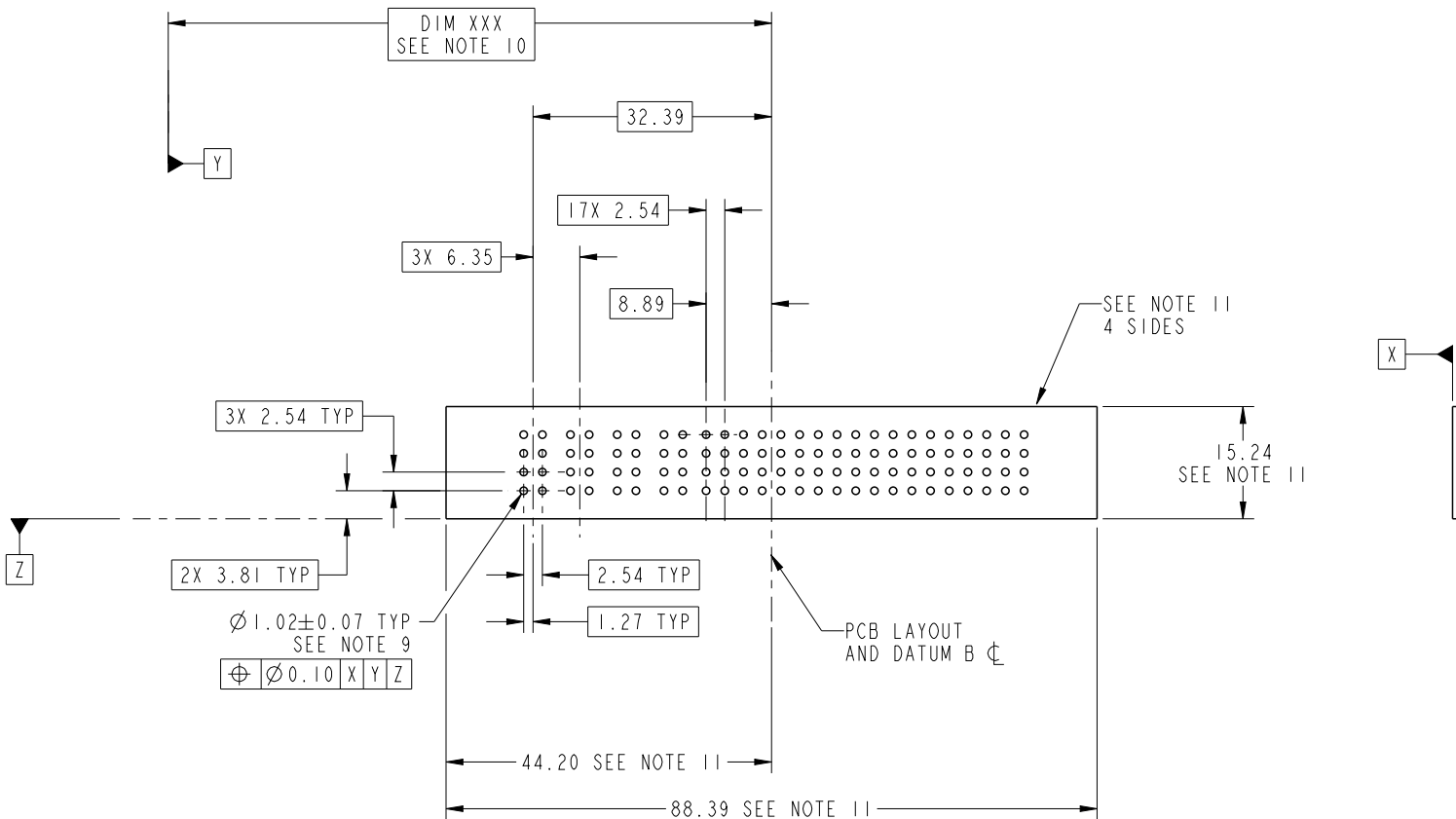
dr	X Q Wang	2012/02/27	projection 	MM 	size	A4	scale	1:1
eng	X Q Wang	2012/03/02			ecn no	-		
chr	-	-			rel level	Released		
appr	Pei-Ming Zheng	2012/03/05	product family	PwrBlade	rev	A		
		title 4P + 72S VERTICAL PRESS FIT HEADER	dwg no 51712-019	www.fci.com	cat. no. -	Product - Customer Drw	sheet 2 of 4	



Copyright FCI.

PRODUCT NUMBER

51712-019__
NOTE 3



RECOMMENDED PCB LAYOUT

dr	X Q Wang	2012/02/27	projection 	MM 	size	A4	scale	1:1
eng	X Q Wang	2012/03/02			ecn no	-		
chr	-	-			rel level	Released		
appr	Pei-Ming Zheng	2012/03/05	product family	PwrBlade	rev	A		
	title	4P + 72S VERTICAL PRESS FIT HEADER		dwg no	51712-019			
www.fci.com	cat. no.	-	Product - Customer Drw		sheet 3 of 4			

PRODUCT NUMBER

51712-019__
NOTE 3

NOTES:

1. DIMENSIONS AND TOLERANCES ARE IN ACCORDANCE WITH ASME Y14.5M, 1994 UNLESS OTHERWISE SPECIFIED.

CONNECTOR NOTES:

- ② HOUSING MATERIAL: UL 94 V-0 GLASS FILLED HIGH-TEMP THERMOPLASTIC
POWER CONTACT MATERIAL: COPPER ALLOY
SIGNAL PIN MATERIAL: COPPER ALLOY
- 3. SEE ITEM 3 & 4 IN PRINT 10064183 FOR PLATING SPEC OF 51712-019 AND 51712-019LF RESPECTIVELY.

④ MANUFACTURER'S NAME, DATE CODE AND OPTIONAL P/N TO APPEAR ON THIS SURFACE. THE P/N CAN BE OMITTED IF THERE IS NOT ENOUGH SPACE ON THIS SURFACE.

5. PRODUCT SPECIFICATION GS-12-149.
APPLICATION SPECIFICATION BUS-20-067.

6. PACKAGED IN TRAYS.

PCB NOTES:

- 7. ALL HOLE DIAMETERS ARE FINISHED HOLE SIZE.
- 8. MOUNTING HOLES, WHERE APPLICABLE, ARE UNPLATED.

⑨ $\varnothing 1.151 \pm 0.025$ DRILLED HOLES PLATED WITH 0.008 MIN SnPb OR Sn OVER .001 [0.03] TO 0.08 Cu PLATING TO ACHIEVE $\varnothing 1.02 \pm 0.07$ HOLE.

⑩ "DIM XXX" TO BE DETERMINED BY THE CUSTOMER.

⑪ CONNECTOR KEEP-OUT ZONE.

12. FOR PRESS FIT APPLICATION USE FCI CAM TOOL 430169-XXX.

dr	X Q Wang	2012/02/27	projection 	MM 	size	A4	scale	1:1			
eng	X Q Wang	2012/03/02			ecn no	-					
chr	-	-			product family	PwrBlade	rel level	Released			
appr	Pei-Ming Zheng	2012/03/05	FCj		title	4P + 72S		dwg no	51712-019	rev	A
www.fci.com		cat. no.	-	Product - Customer Drw			sheet 4 of 4				



Copyright FCI.