



PRODUCT DATASHEET

Florentina series

last update 12/8/2016

DETAILS

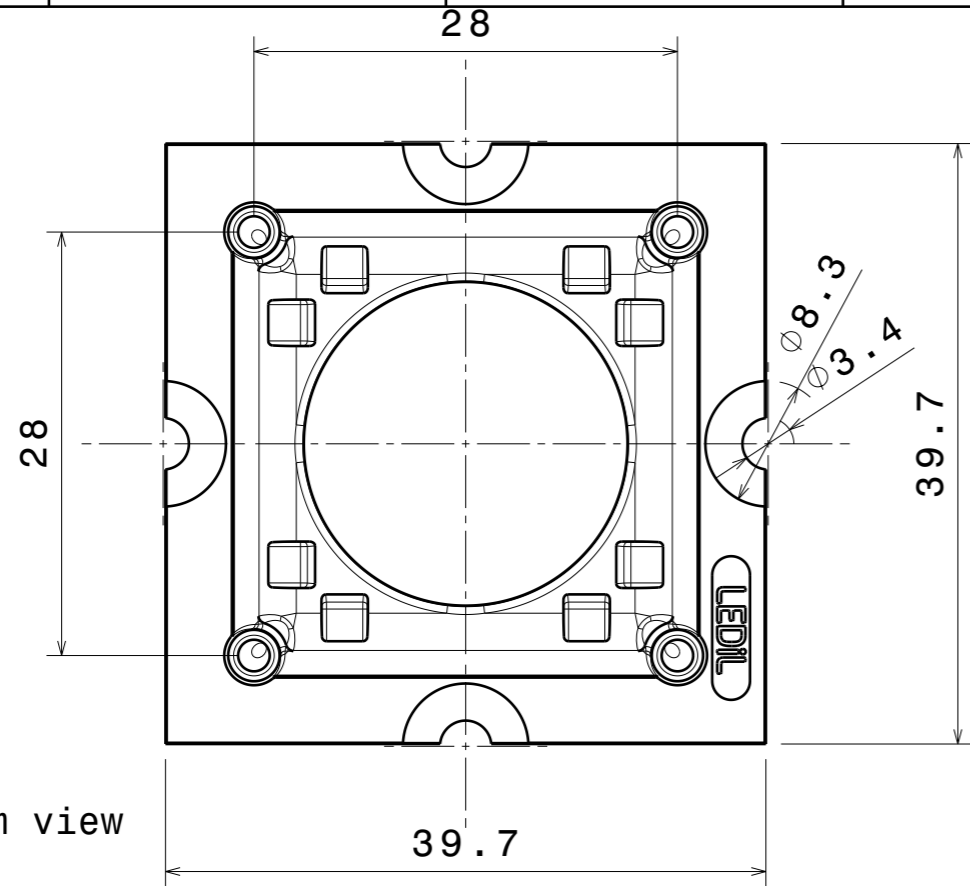
Product Number	C15427_FLORENTINA-1-SHD-60
Family	Florentina
Type	Shade
Color	black
Diameter	39,7x39,7 mm
Height	17,62 mm
Style	square
Optic Material	
Holder Material	
Fastening	
Status	production ready
ROHS Compliant	Yes
Date Updated	12/08/2016



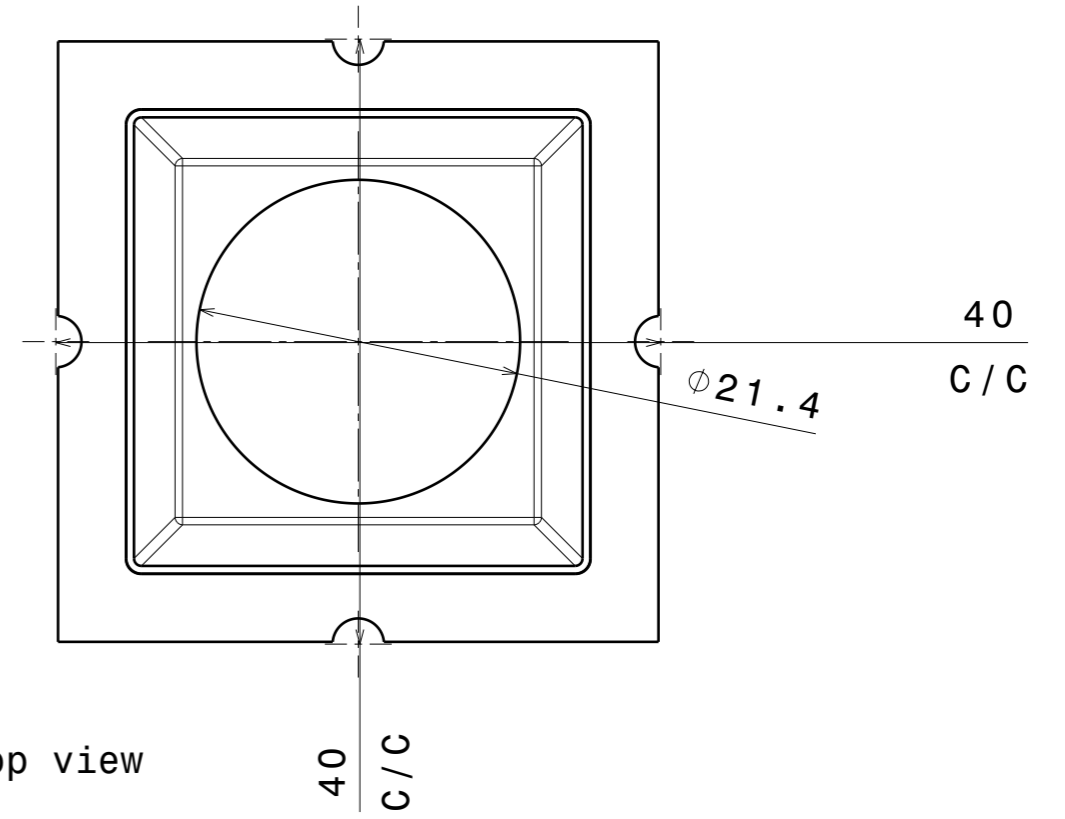
OPTICAL PROPERTIES

LED	Viewing Angle	Light Beam	Efficiency	cd/lm	Connector
-	NA deg	-	-	-	-

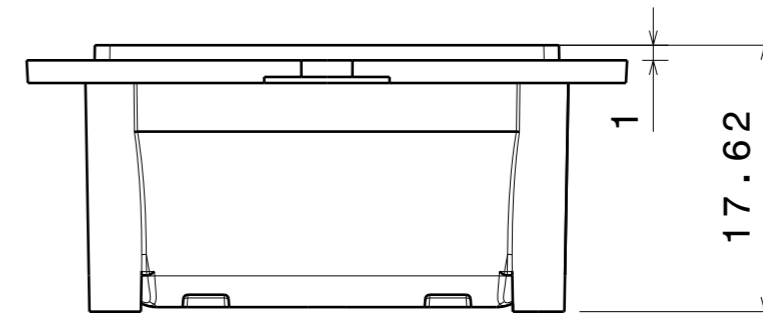
Bottom view



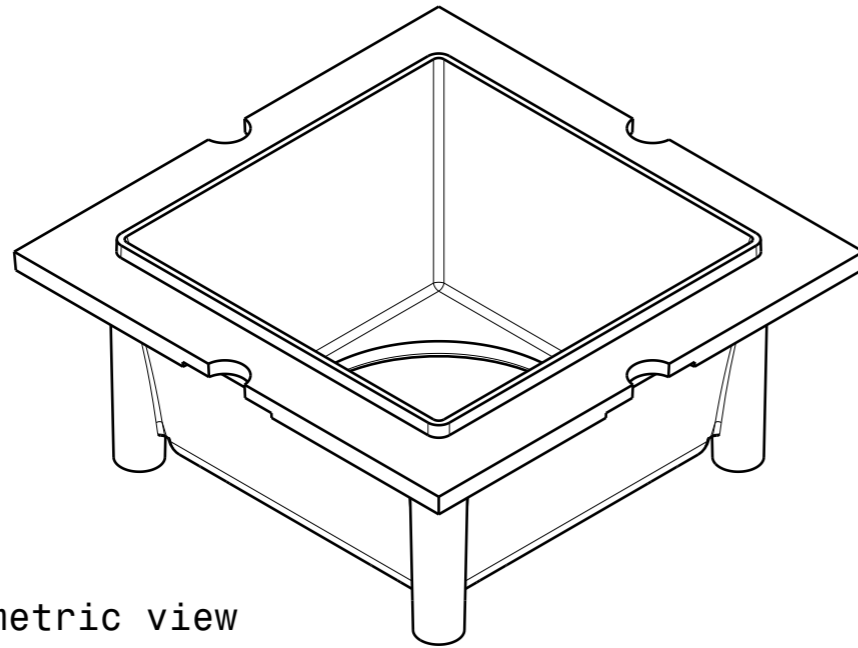
Top view



Front view



Isometric view



INDEX	PART NO	DESCRIPTION	MATERIAL	COLOUR
1	C15427	FLORENTINA-1-SHD-60	PC	black

Tolerances if not otherwise shown
 According to DIN ISO 2768-1
 Linear measures:
 Up to 30mm class Fj, otherwise class MC.
 According to DIN ISO 2768-2
 Form and position: class K
 Control for SPC marked dimensions.



LediL Oy
 Salorankatu 10
 FIN 24240 SALO
 Finland

THIRD ANGLE PROJECTION:

DRAWING TITLE
C15427_FLORENTINA-1-SHD-60

This drawing is the property
 of LEDiL Oy. It may not be
 reproduced, copied or
 communicated without a written
 agreement with LEDiL Oy.

SIZE	PART NUMBER
A3	C15427

SCALE	2:1	WEIGHT	4,675g	SHEET	1/1
-------	-----	--------	--------	-------	-----

NOTE: The typical divergence will be changed by different color, chip size and chip position tolerance. The typical total divergence is the full angle measured where the luminous intensity is half of the peak value.