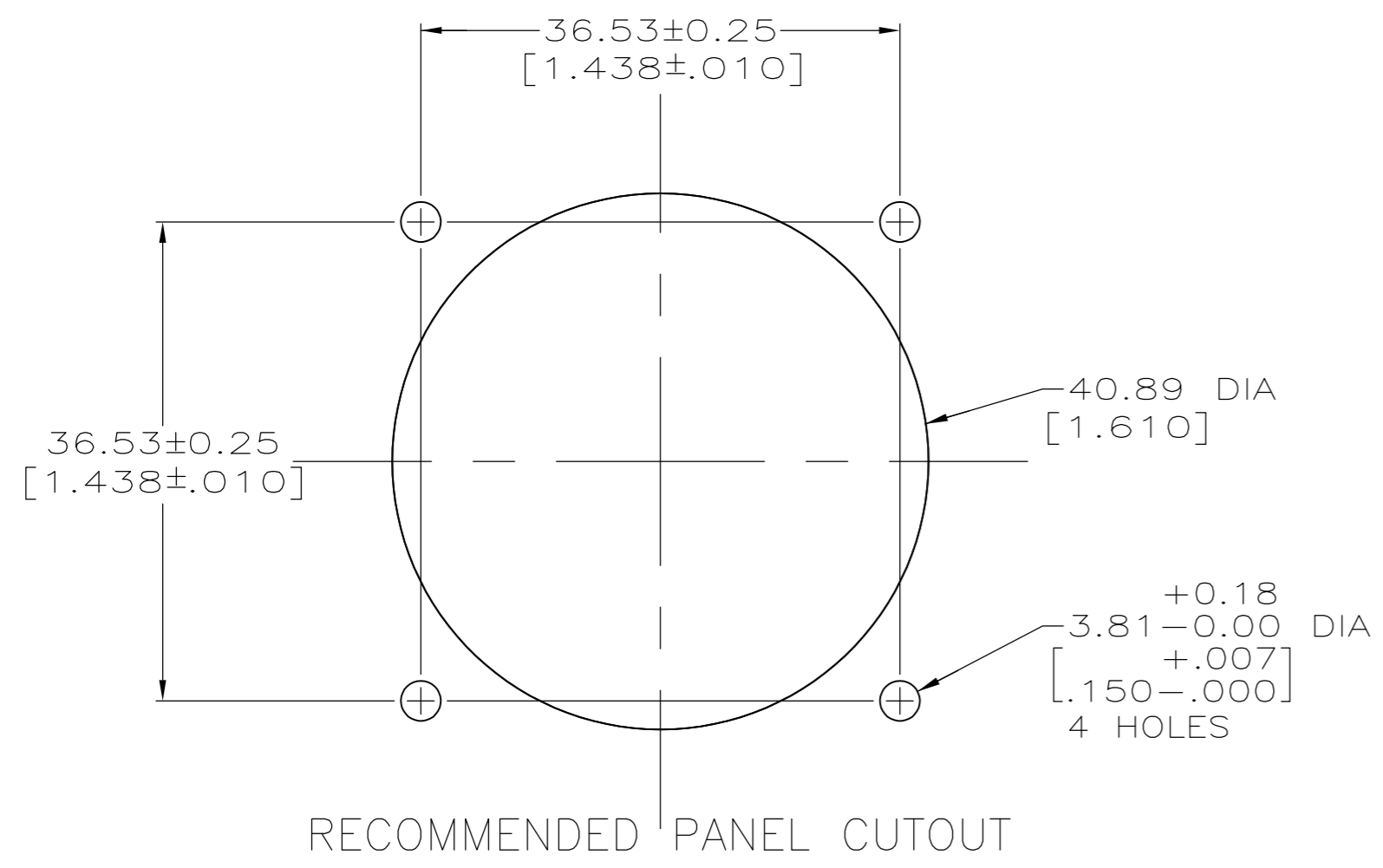
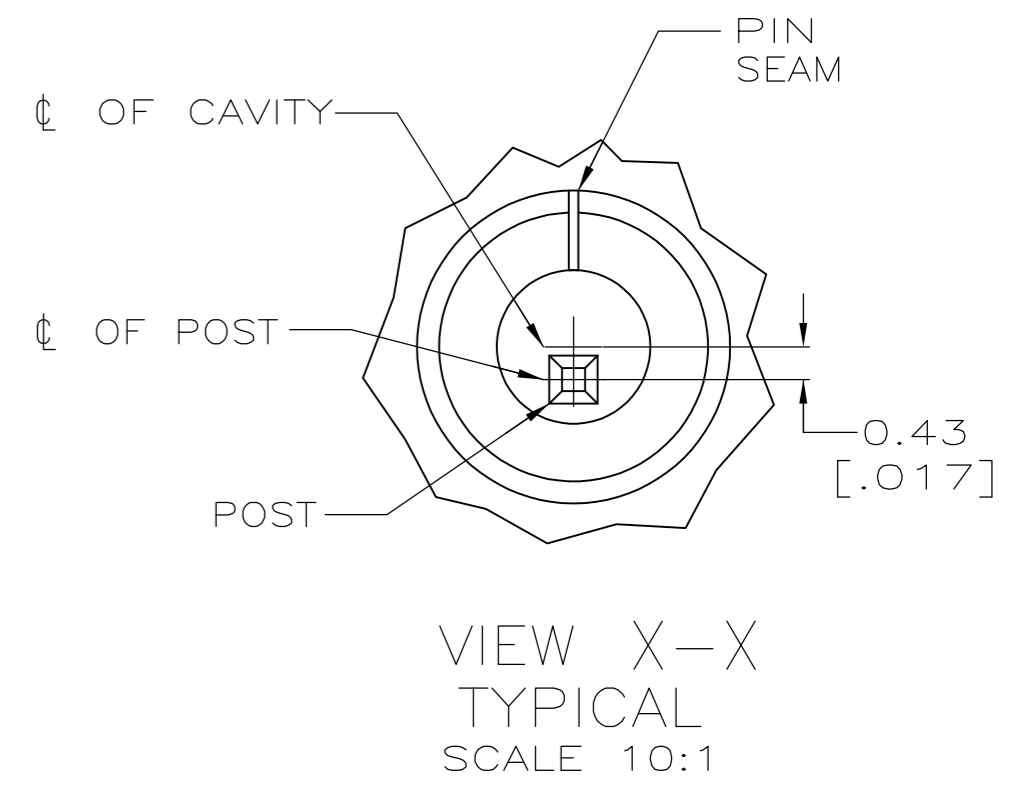
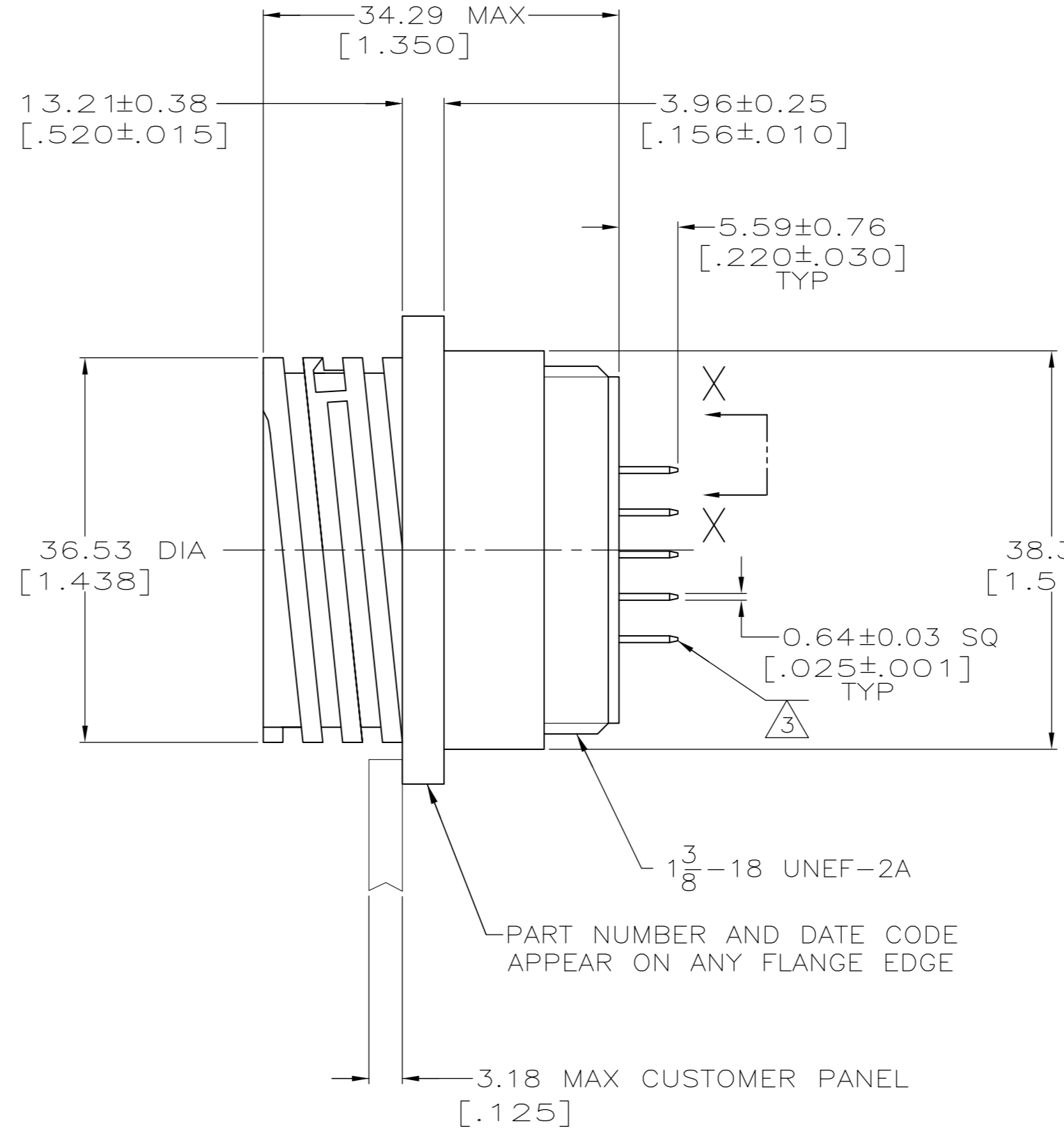
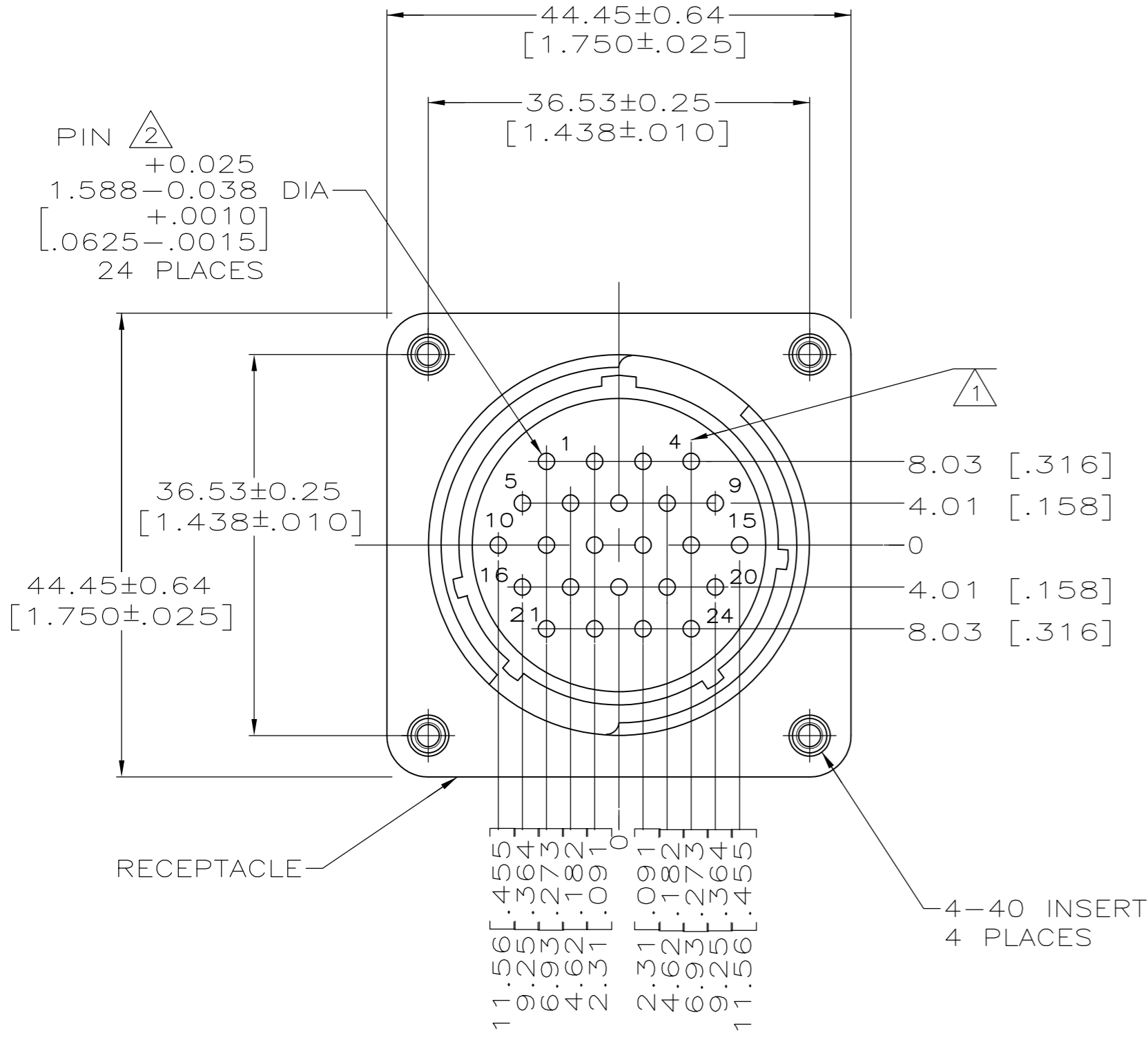


THIS DRAWING IS UNPUBLISHED. RELEASED FOR PUBLICATION  
 © COPYRIGHT - By - ALL RIGHTS RESERVED.

LOC		DIST		REVISIONS			
P	LTR	DESCRIPTION	DATE	DWN	APVD		
BD	0						
C		REVISED PER ECO-12-015665	26SEP12	KH	MZ		



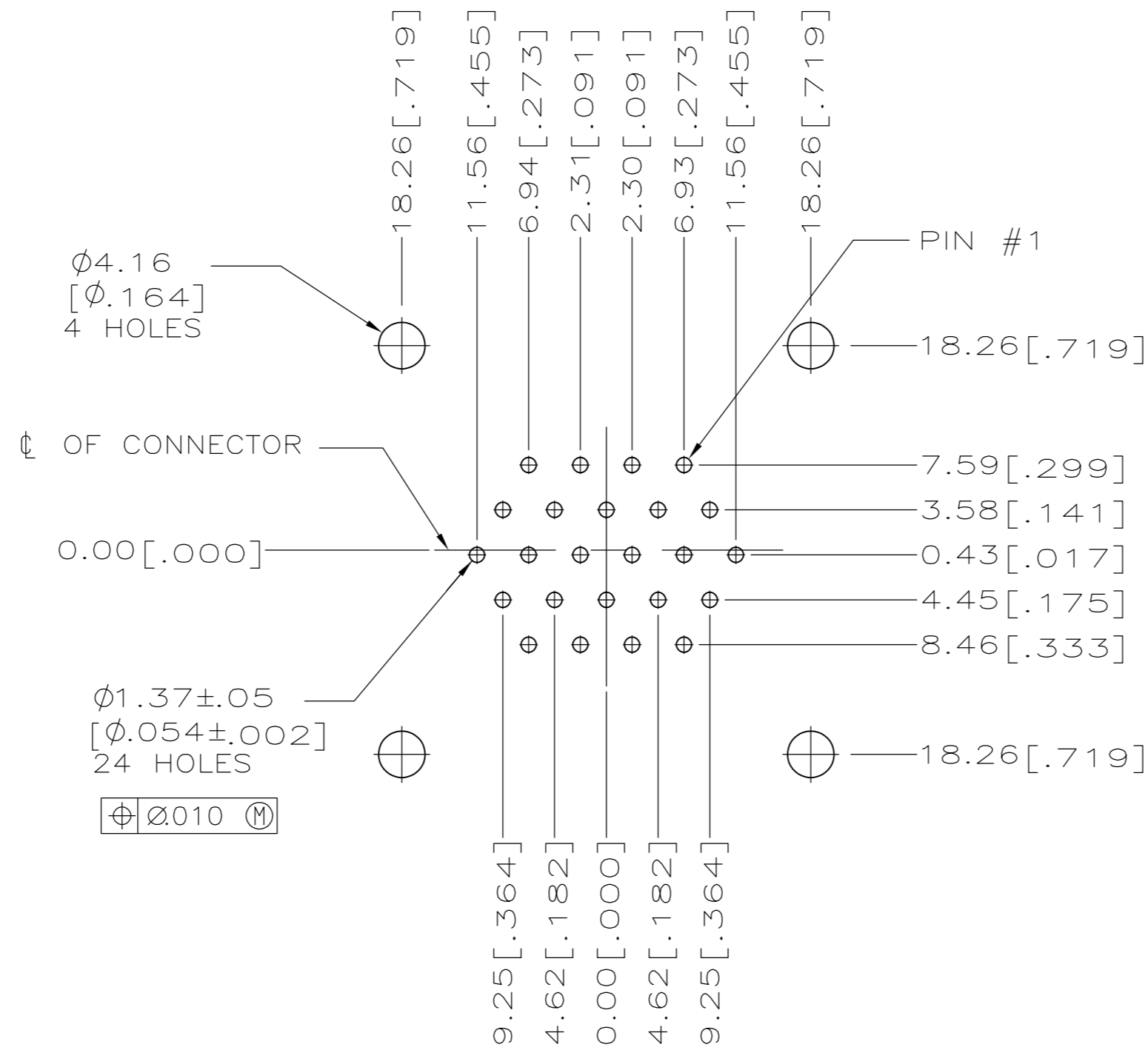
- $\triangle 1$  CAVITY IDENTIFICATION CHARACTERS ON FRONT AND REAR FACE.
- $\triangle 2$  1.27um [.000050] MIN TIN OVER NICKEL FLASH.
- $\triangle 3$  2.54um [.000100] MIN TIN-LEAD OVER 2.54um [.000100] MIN COPPER ON THIS END.
- $\triangle 4$  2.54um [.000100] MIN TIN OVER 2.54um [.000100] MIN COPPER ON THIS END.

$\triangle 4$	213588-2
$\triangle 3$	213588-1
POST FINISH	PART NUMBER

THIS DRAWING IS A CONTROLLED DOCUMENT.		DWN	2-23-90	TE Connectivity	
DIMENSIONS: mm [INCHES]		CHK	C DORWART	RECEPTACLE ASSEMBLY, 23-24, STANDARD SEX, POSTED CONTACTS, CPC	
TOLERANCES UNLESS OTHERWISE SPECIFIED:		APVD		SIZE CAGE CODE DRAWING NO RESTRICTED TO	
0 PLC	± -	PRODUCT SPEC		A2	00779 C=213588
1 PLC	± -	APPLICATION SPEC		SCALE	SHEET 1 OF 2 REV C
2 PLC	± 0.13[.005]				
3 PLC	± -				
4 PLC	± -				
ANGLES	± -				
MATERIAL	FINISH	WEIGHT			
INSERT AND PIN: BRASS	-				
CUSTOMER DRAWING					

THIS DRAWING IS UNPUBLISHED. RELEASED FOR PUBLICATION  
 © COPYRIGHT - By - ALL RIGHTS RESERVED.

LOC		DIST		REVISIONS			
BD	0	P	LTR	DESCRIPTION	DATE	DWN	APVD
		-		SEE SHEET 1	-	-	-



RECOMMENDED P.C. BOARD LAYOUT

THIS DRAWING IS A CONTROLLED DOCUMENT.		DWN	2-23-90			
DIMENSIONS: mm [INCHES]		CHK	C DORWART			RECEPTACLE ASSEMBLY, 23-24, STANDARD SEX, POSTED CONTACTS, CPC
TOLERANCES UNLESS OTHERWISE SPECIFIED:		APVD	-			
0 PLC ± - 1 PLC ± - 2 PLC ± 0.13 [.005] 3 PLC ± - 4 PLC ± - ANGLES ± -		PRODUCT SPEC	-			
MATERIAL: INSERT AND PIN: BRASS		APPLICATION SPEC	-			
FINISH: -		WEIGHT	-		SIZE: A2	
		CUSTOMER DRAWING	CAGE CODE: 00779	DRAWING NO: C=213588	RESTRICTED TO: -	
		SCALE: 2:1	SHEET: 2 OF 2	REV: C		