

DETAILS

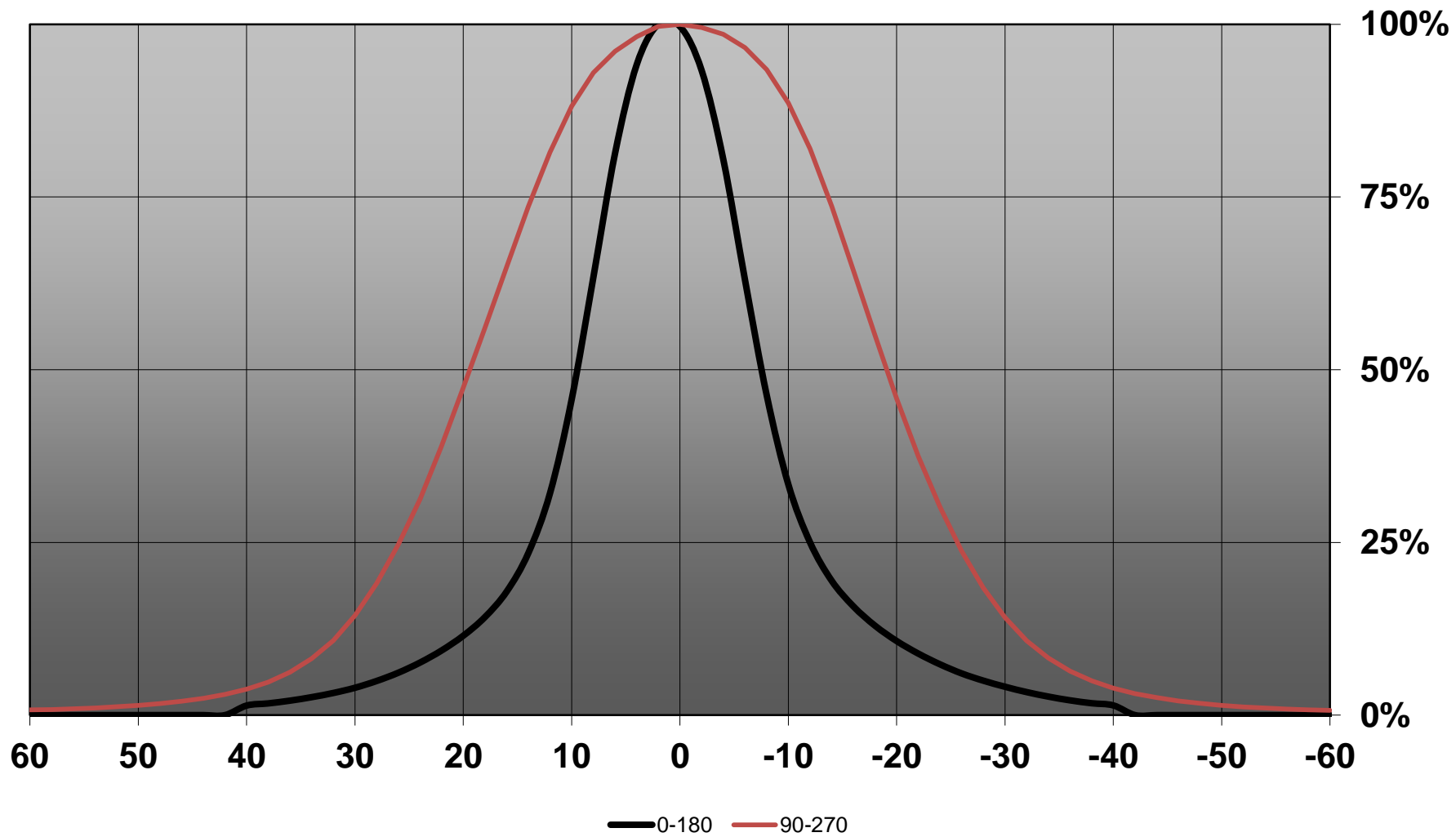
Product Number	CA12815_HEIDI-O-90
Family	Heidi
Type	Assembly
Color	clear
Diameter	21,6 mm
Height	11,7 mm
Style	round
Optic Material	PMMA
Holder Material	
Fastening	pin, tape
Status	production ready
ROHS Compliant	Yes
Date Updated	8/06/2016



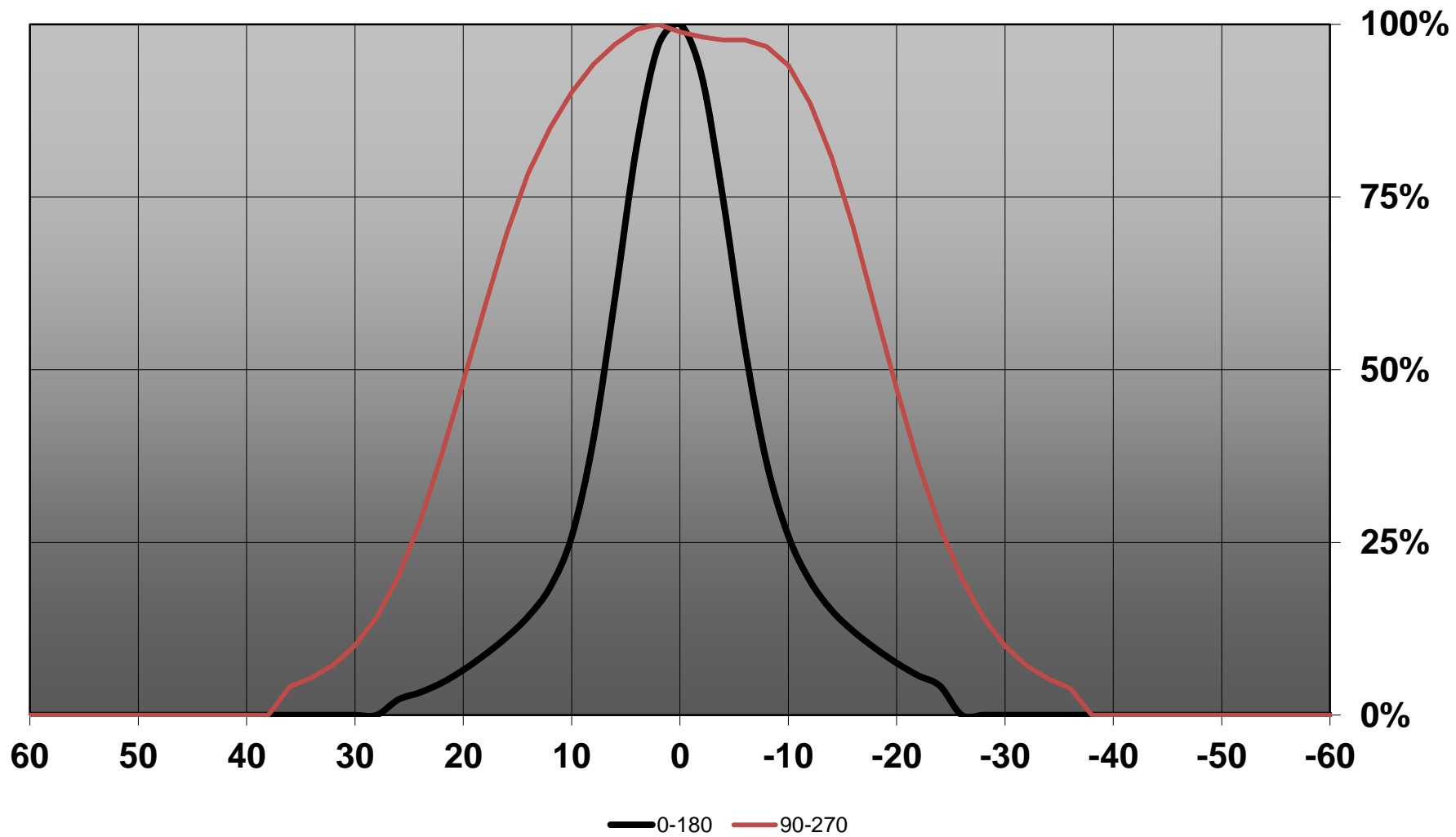
OPTICAL PROPERTIES

LED	Viewing	Light	Efficiency	cd/lm	Connector
	Angle	Beam			
XP-L	16+40 deg	O-90	88 %	3.600	-
XHP35 HD	17+38 deg	O-90	84 %	3.230	-
XHP35 HI	13+39 deg	O-90	86 %	4.400	-
LUXEON Rebel ES	13+53 deg	O-90	81 %	3.000	-
LUXEON R	13+54 deg	O-90	82 %	3.010	-
LUXEON A	14+54 deg	O-90	82 %	3.090	-
LUXEON Rebel	12+54 deg	O-90	82 %	3.470	-
NVSW3x9A	15+47 deg	O-90	90 %	2.800	-
Oslo SSL 150	9+50 deg	O-90	93 %	4.850	-

Relative intensity of CA12815_HEIDI-O-90_(XHP35_HD)



Relative intensity of CA12815_HEIDI-O-90_(XPH35_HI)



D

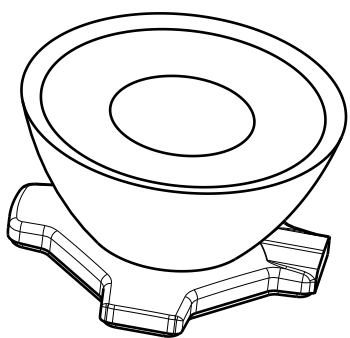
C

B

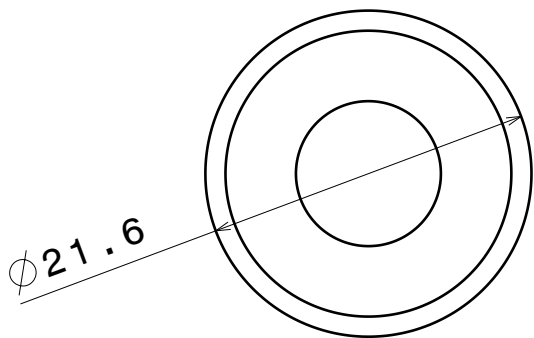
A

4

4



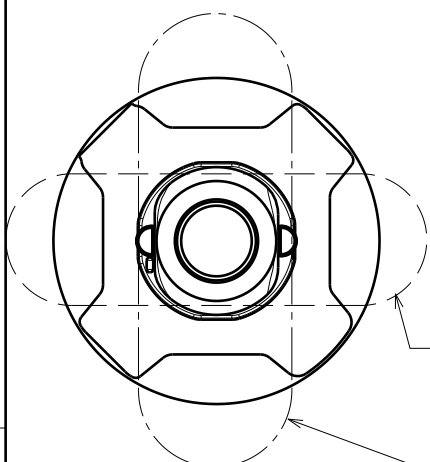
Isometric view



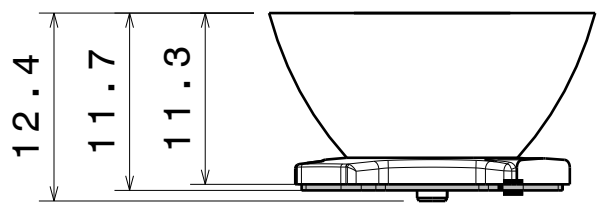
Top view

3

3



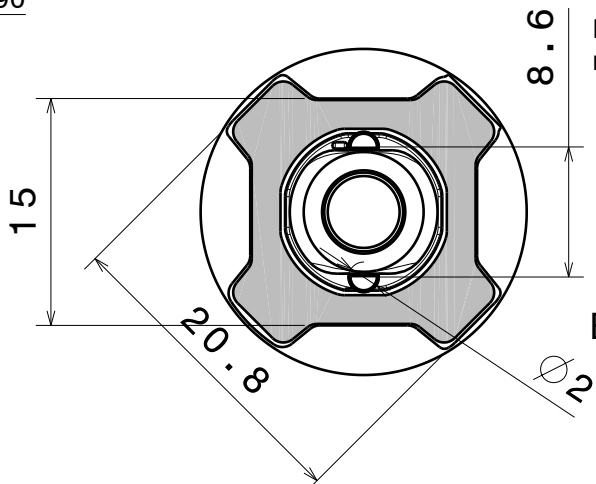
Bottom view
OVAL BEAM direction



Front view

2

2



Bottom view

Material:
Lens PMMA
Tape PU Foam

This drawing is our property.
It can't be reproduced
or communicated without
our written agreement.



Ledil Oy
Salorankatu 10
FIN-24100 SALO
Finland

DRAWING TITLE
Datasheet Heidi-Series Assy

DRAWN BY
ah

DATE
1.2.2012

CHECKED BY

DATE

SIZE
A4

DRAWING NUMBER

REV
2

DESIGNED BY

DATE

SCALE 2:1

WEIGHT (g)

SHEET

1/1

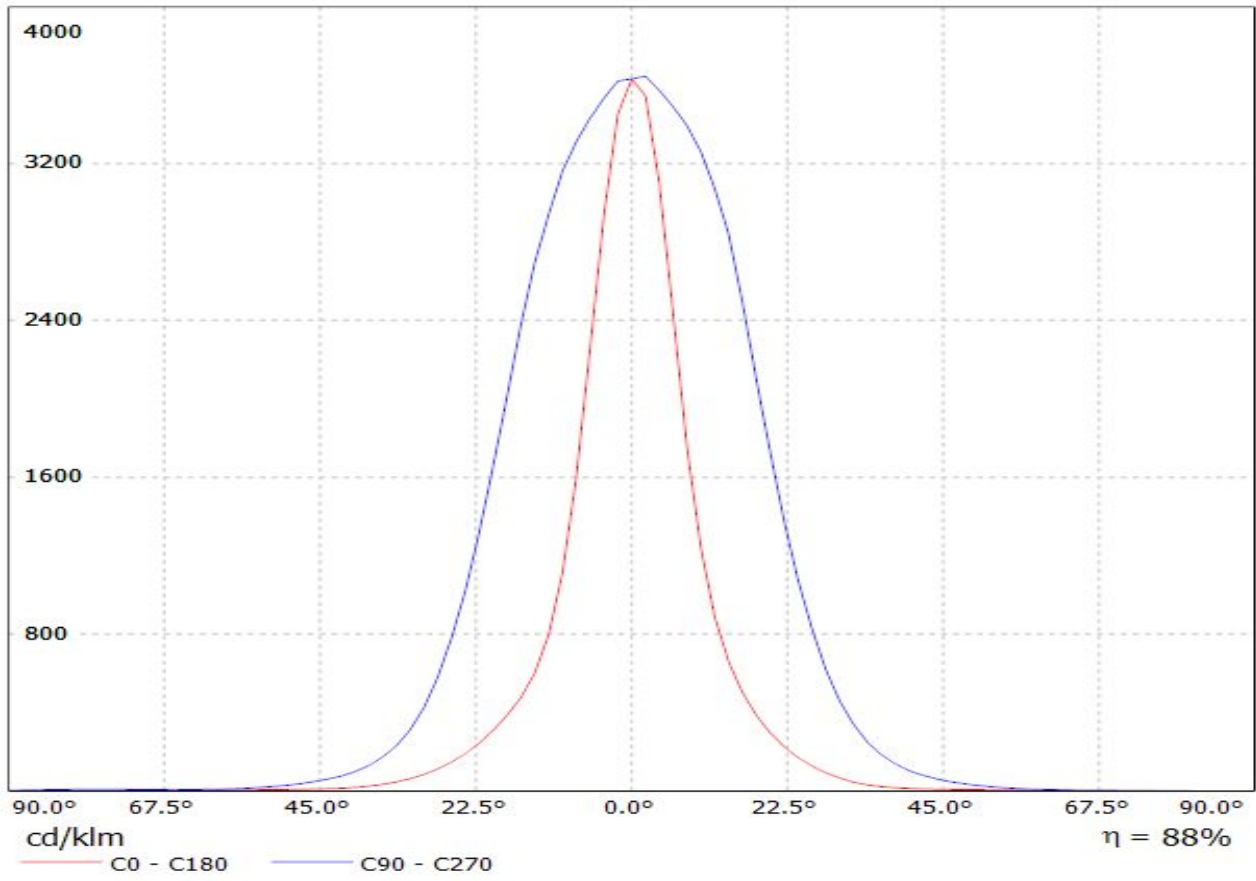
D

A

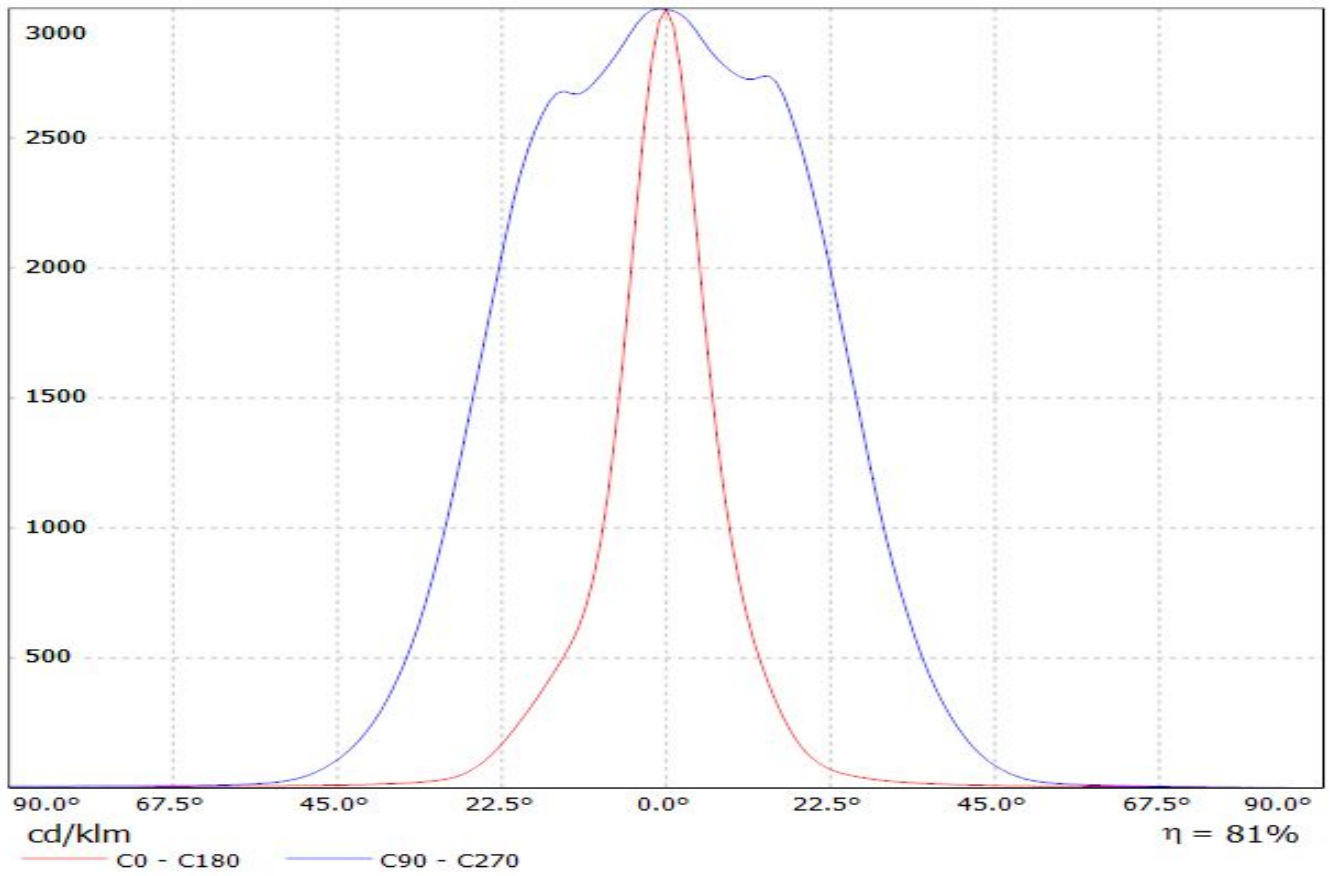
1

1

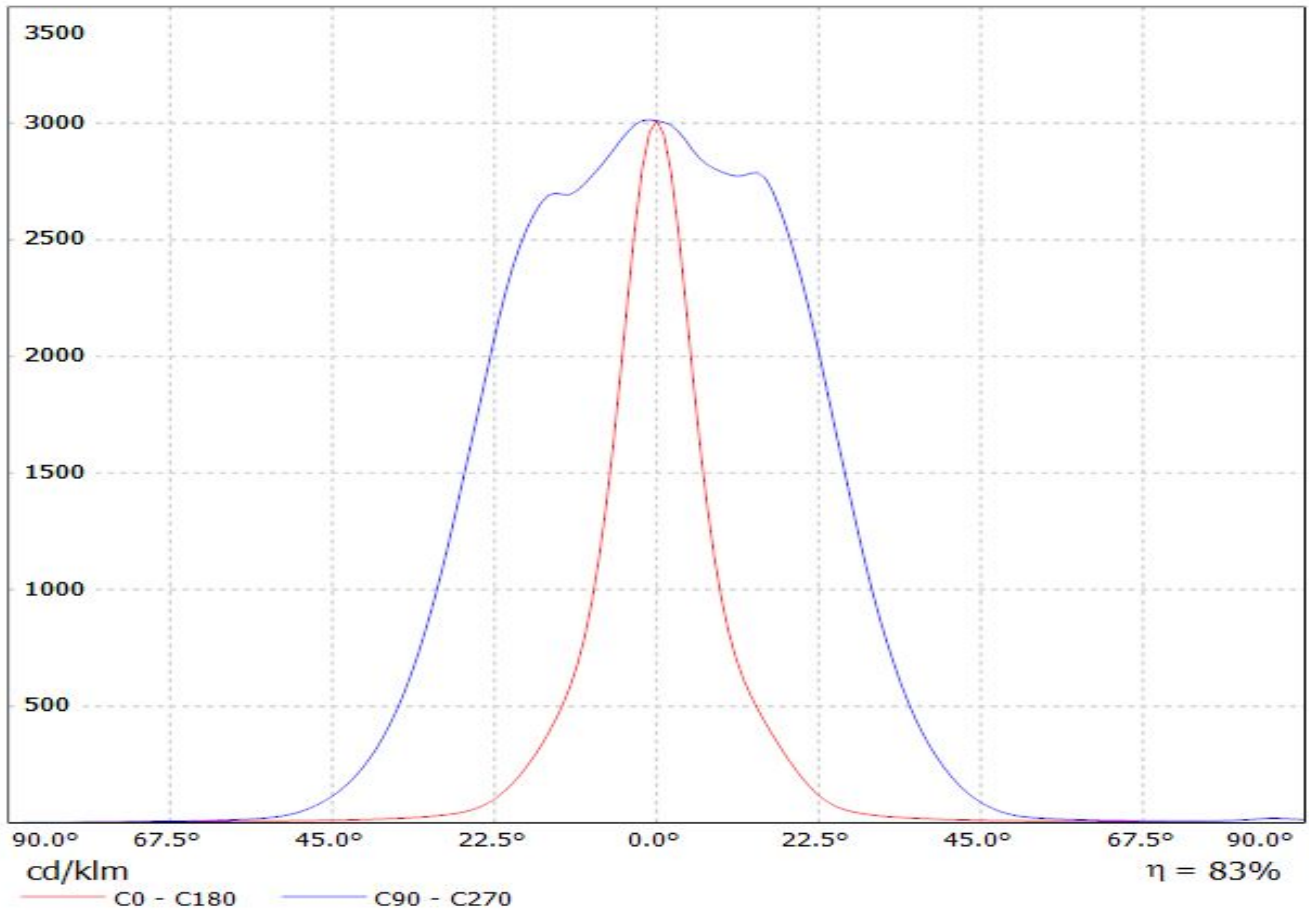
Luminaire: LEDil Oy CA12815_HEIDI-O-90_(XP-L)
Lamps: 1 x Cree XP-L (123,67lm @ 250mA) P=0.7W I=250mA



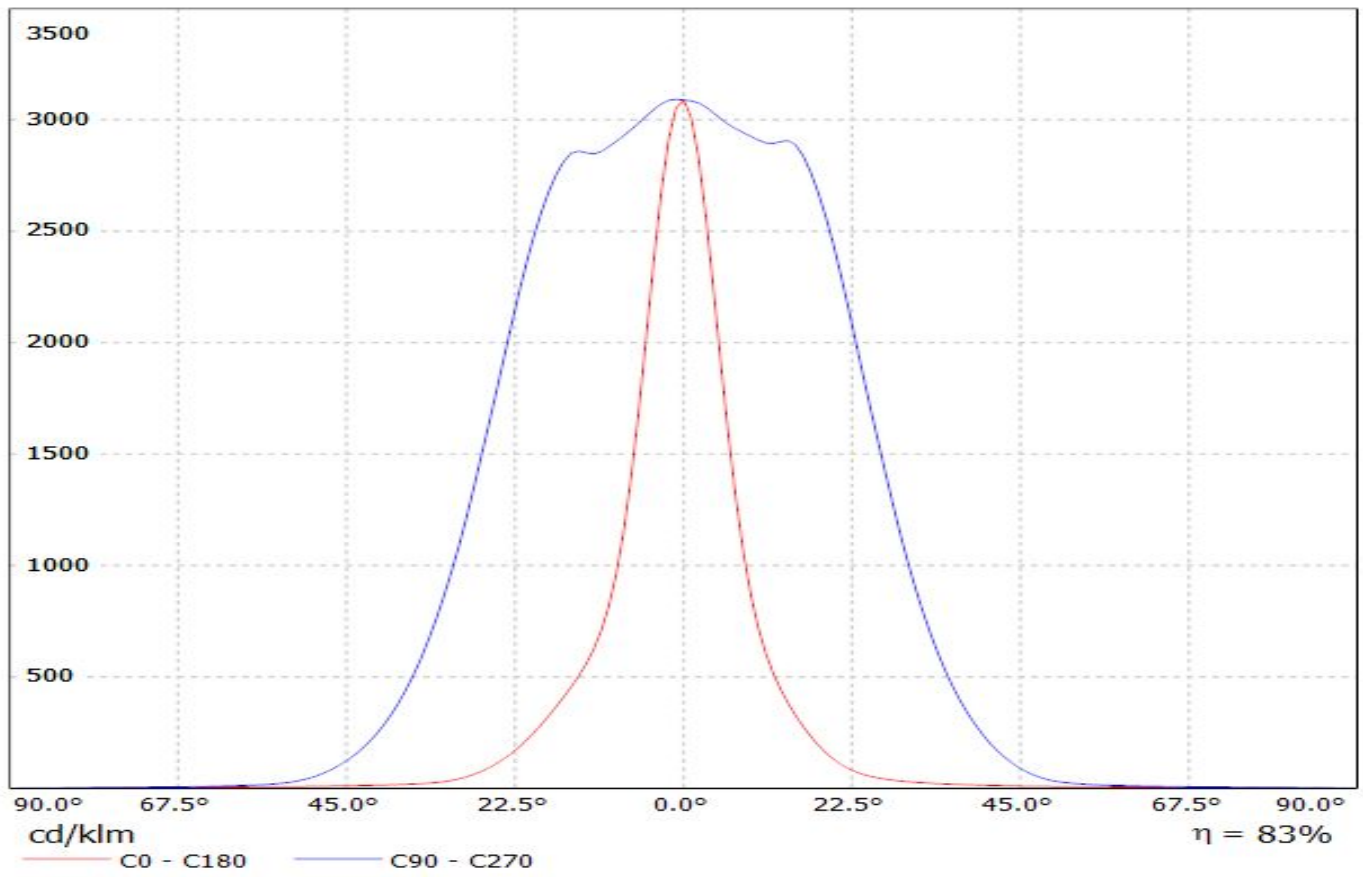
Luminaire: Ledil Oy CA12815_HEIDI-O-90_(Rebel_ES) Efficiency=81%
Lamps: 1 x Luxeon Rebel ES 91lm @ 250mA CCT=4094K P=0.76W I=250mA



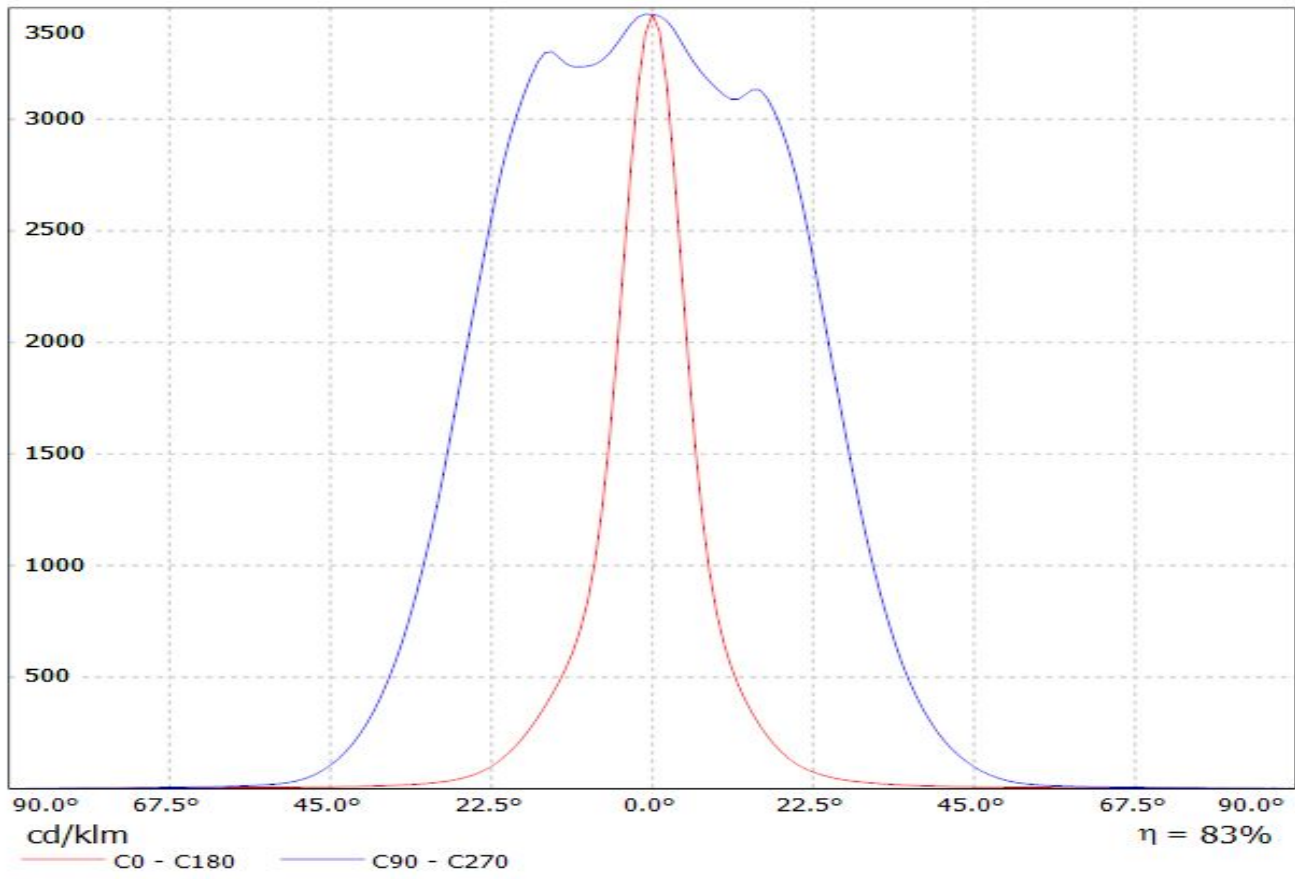
Luminaire: Ledil Oy CA12815_HEIDI-O-90_(Luxeon R) Efficiency=82%
Lamps: 1 x Luxeon R 85lm @ 250mA CCT=4328K P=0.70W I=250mA



Luminaire: Ledil Oy CA12815_HEIDI-O-90_(Luxeon_A) Efficiency=82%
Lamps: 1 x Luxeon A 66lm @ 250mA CCT=2933K P=0.75W I=250mA

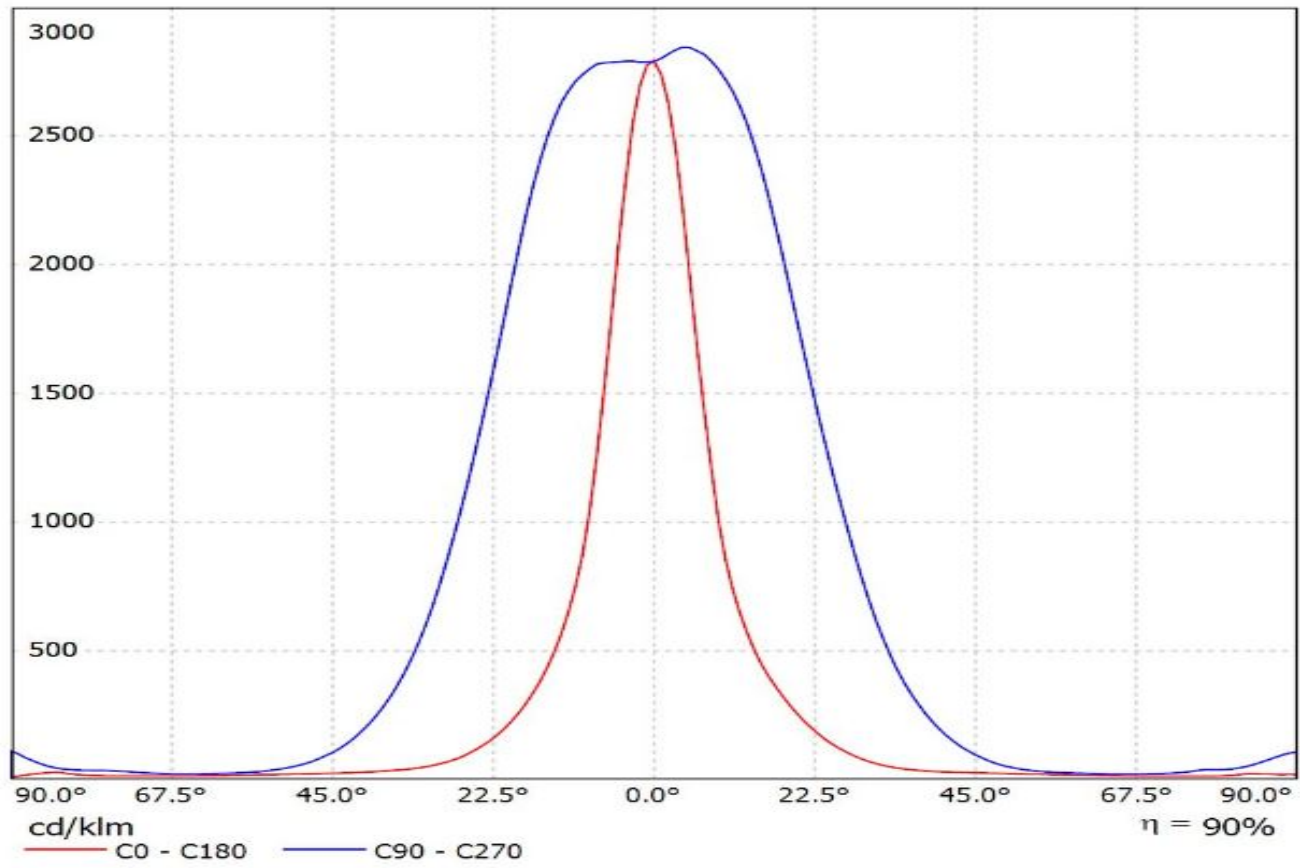


Luminaire: Ledil Oy CA12815_HEIDI-O-90_(Rebel) Efficiency=82%
Lamps: 1 x Luxeon Rebel (LXM8-PW30) 61lm @ 250mA CCT=2875K P=0.71W I=250mA



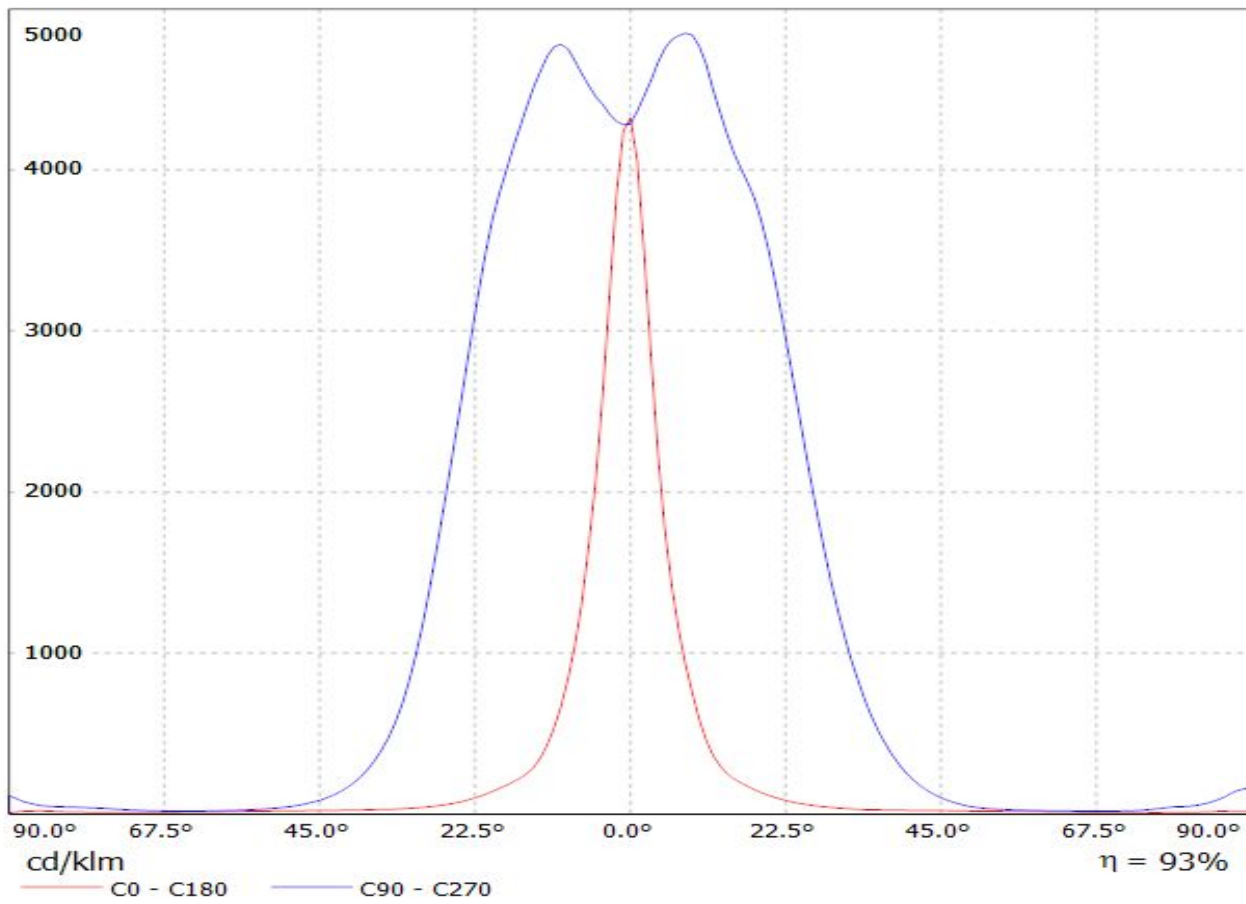
Luminaire: Ledil CA12815_HEIDI-O-90_(NVSW319AE)

Lamps: 1 x Nichia_NVSW319AE_(sm405D440f2L2R70)_126.795lm@250mA_P=0.73515W_I=0.250A

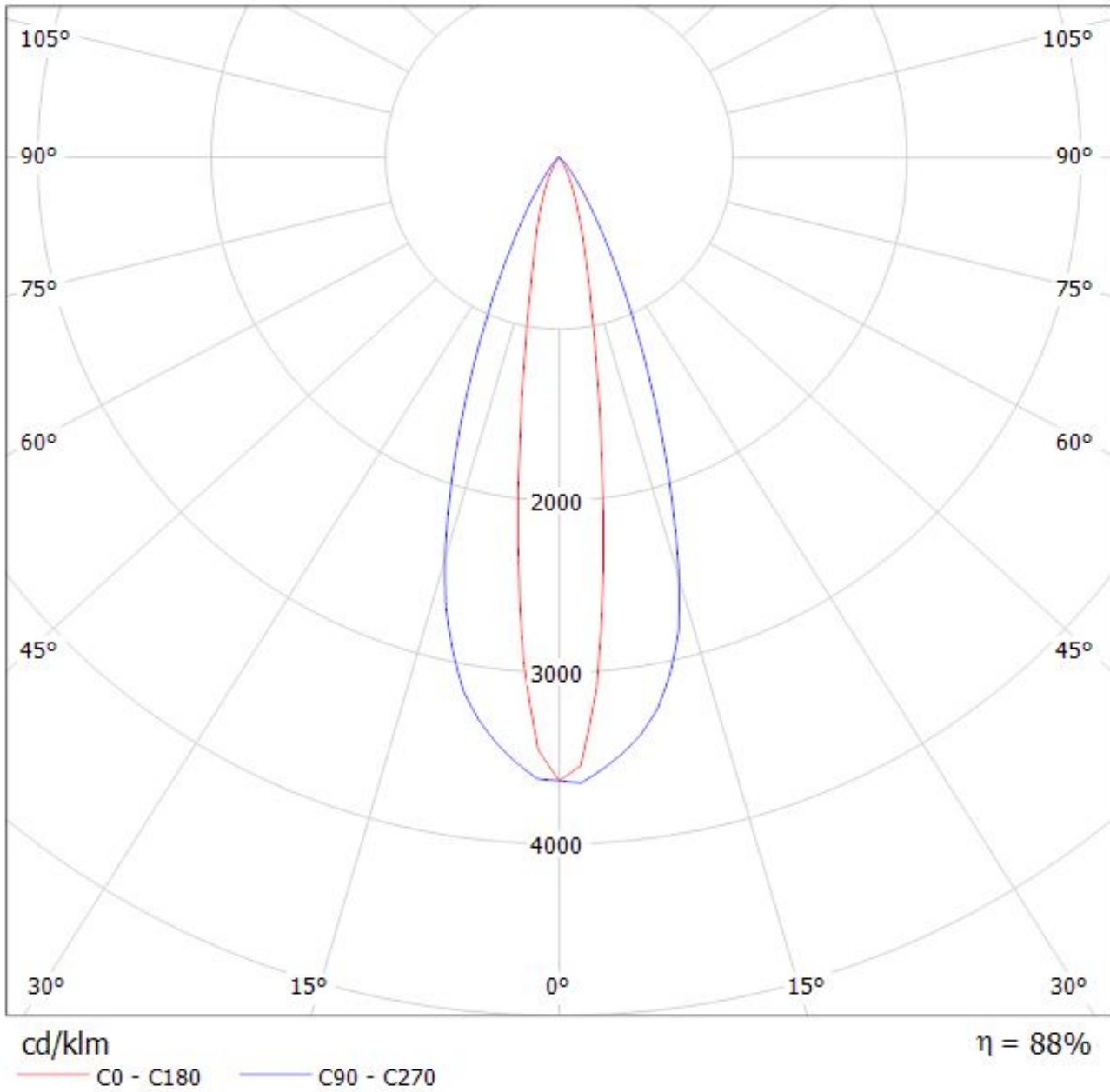


Luminaire: LEDiL Oy CA12815_HEIDI-O-90_(SSL150)

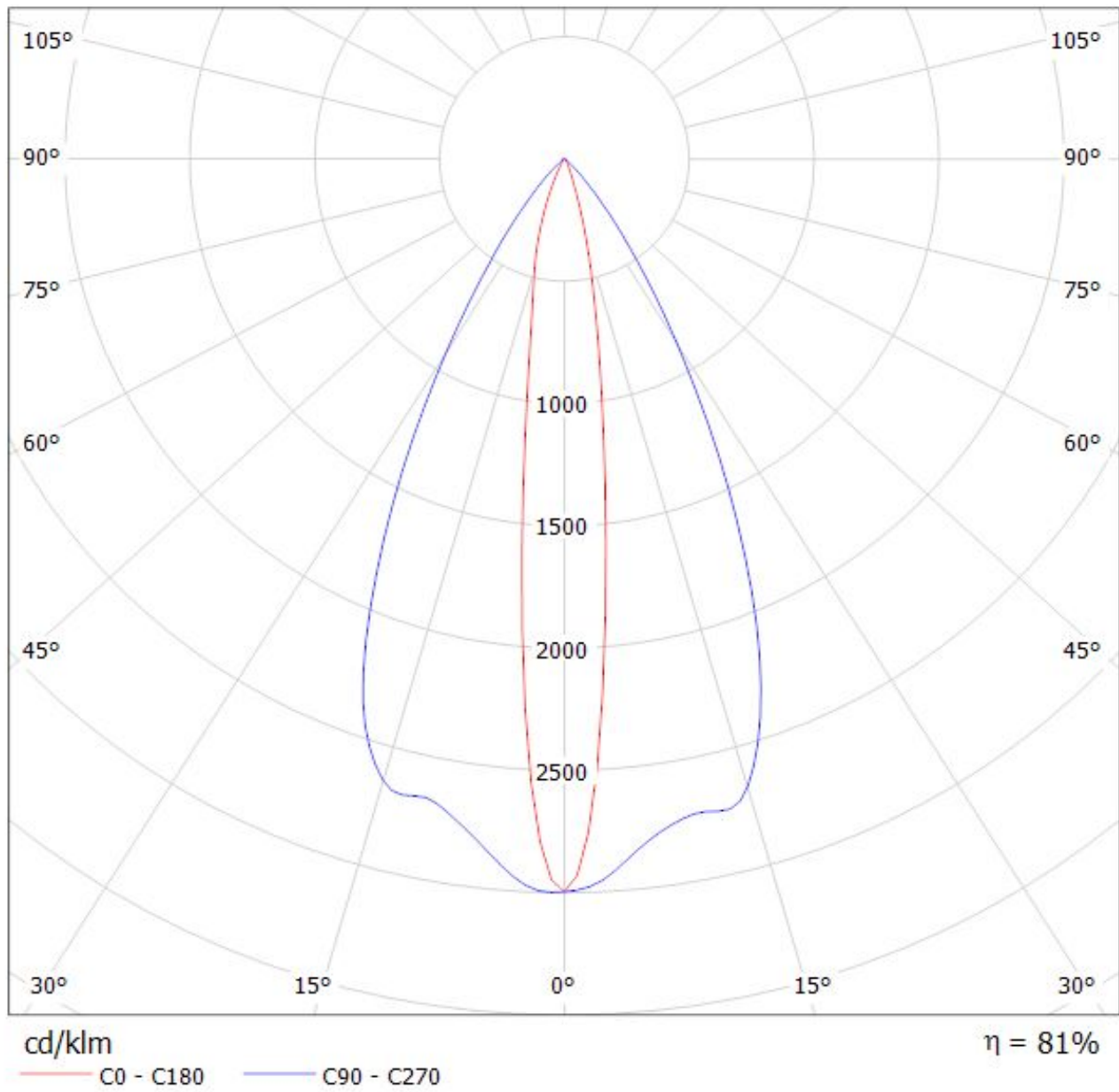
Lamps: 1 x Oslon_SSL150_(LCW_CRDP_EC-LPLR-5H7I-1)_88.987lm@250mA_CCT=3747K_P=0.7498W_I=0.250A



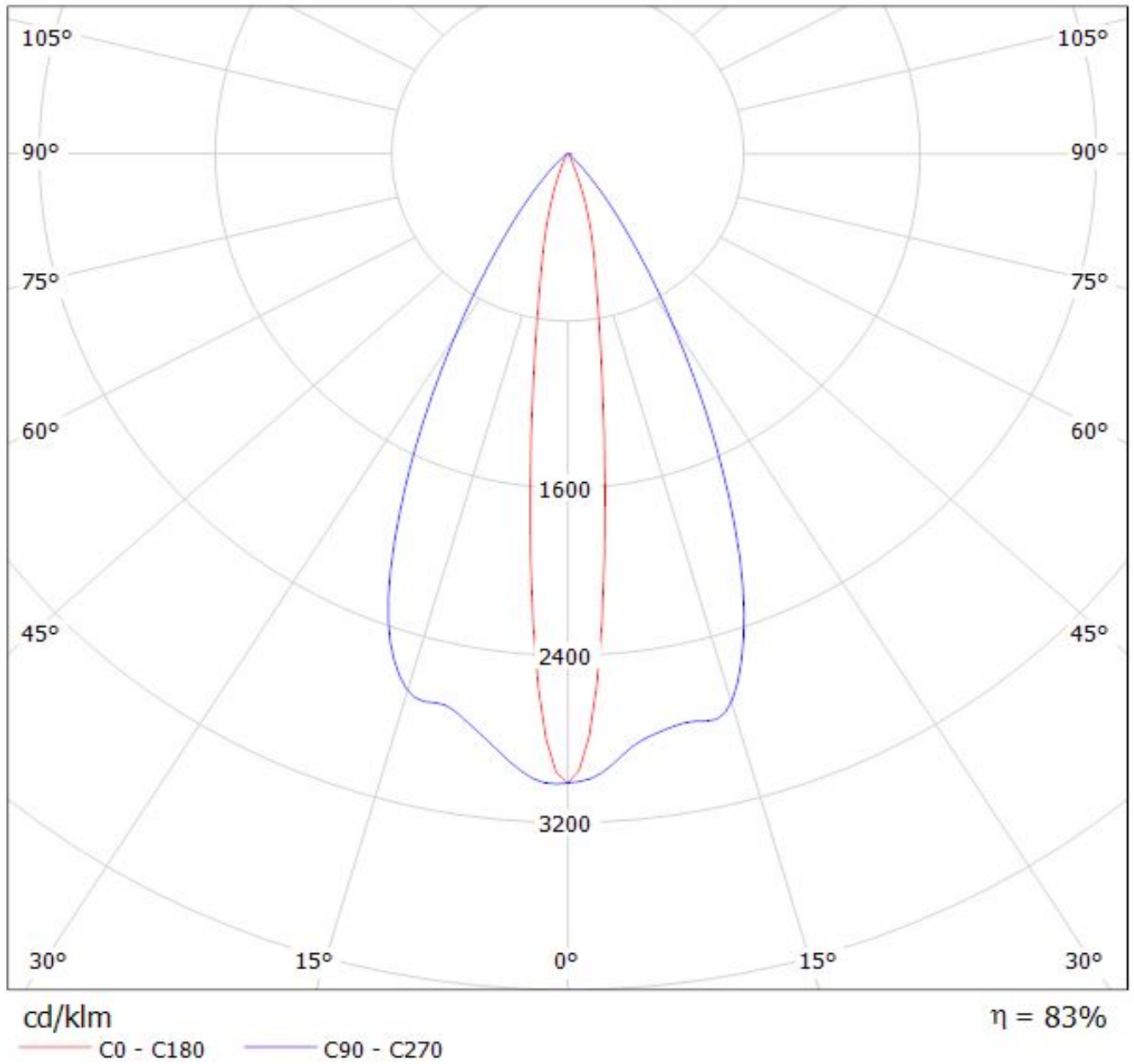
Luminaire: LEDil Oy CA12815_HEIDI-O-90_(XP-L)
Lamps: 1 x Cree XP-L (123,67lm @ 250mA) P=0.7W I=250mA



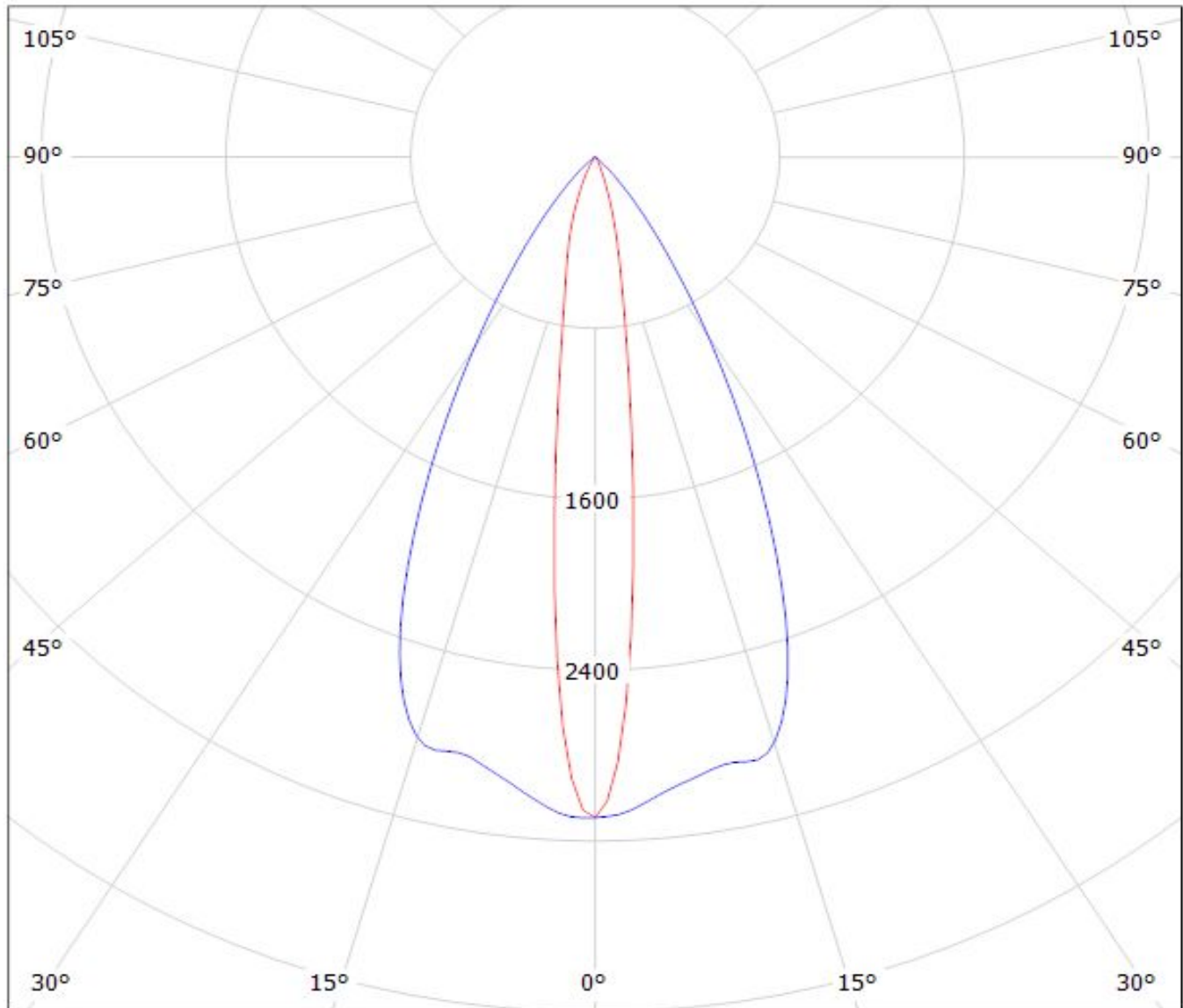
Luminaire: Ledil Oy CA12815_HEIDI-O-90_(Rebel_ES) Efficiency=81%
Lamps: 1 x Luxeon Rebel ES 91lm @ 250mA CCT=4094K P=0.76W I=250mA



Luminaire: Ledil Oy CA12815_HEIDI-O-90_(Luxeon R) Efficiency=82%
Lamps: 1 x Luxeon R 85lm @ 250mA CCT=4328K P=0.70W I=250mA



Luminaire: Ledil Oy CA12815_HEIDI-O-90_(Luxeon_A) Efficiency=82%
Lamps: 1 x Luxeon A 66lm @ 250mA CCT=2933K P=0.75W I=250mA



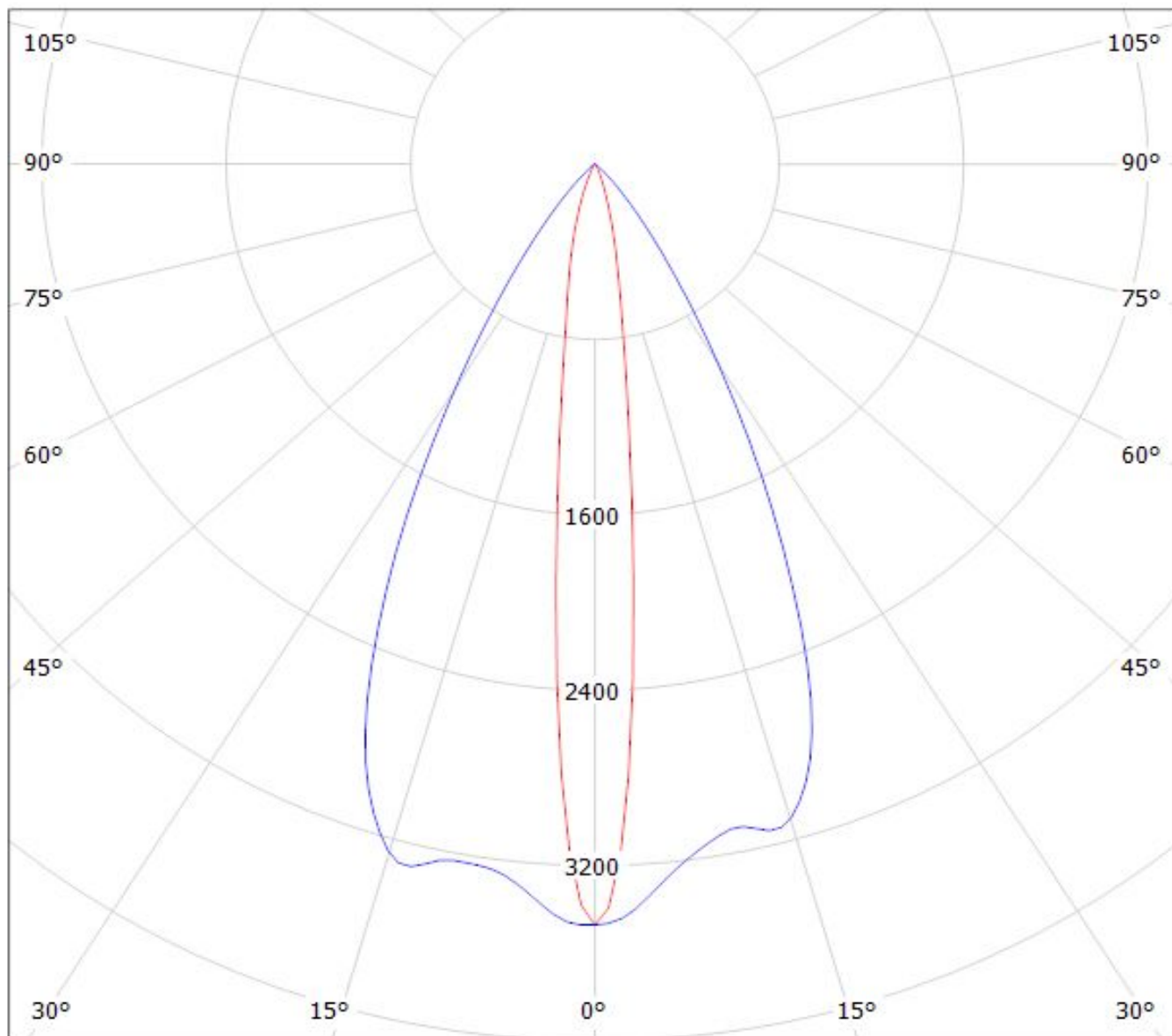
cd/klm

— C0 - C180 — C90 - C270

$\eta = 83\%$

Luminaire: Ledil Oy CA12815_HEIDI-O-90_(Rebel) Efficiency=82%

Lamps: 1 x Luxeon Rebel (LXM8-PW30) 61lm @ 250mA CCT=2875K P=0.71W I=250mA



cd/klm

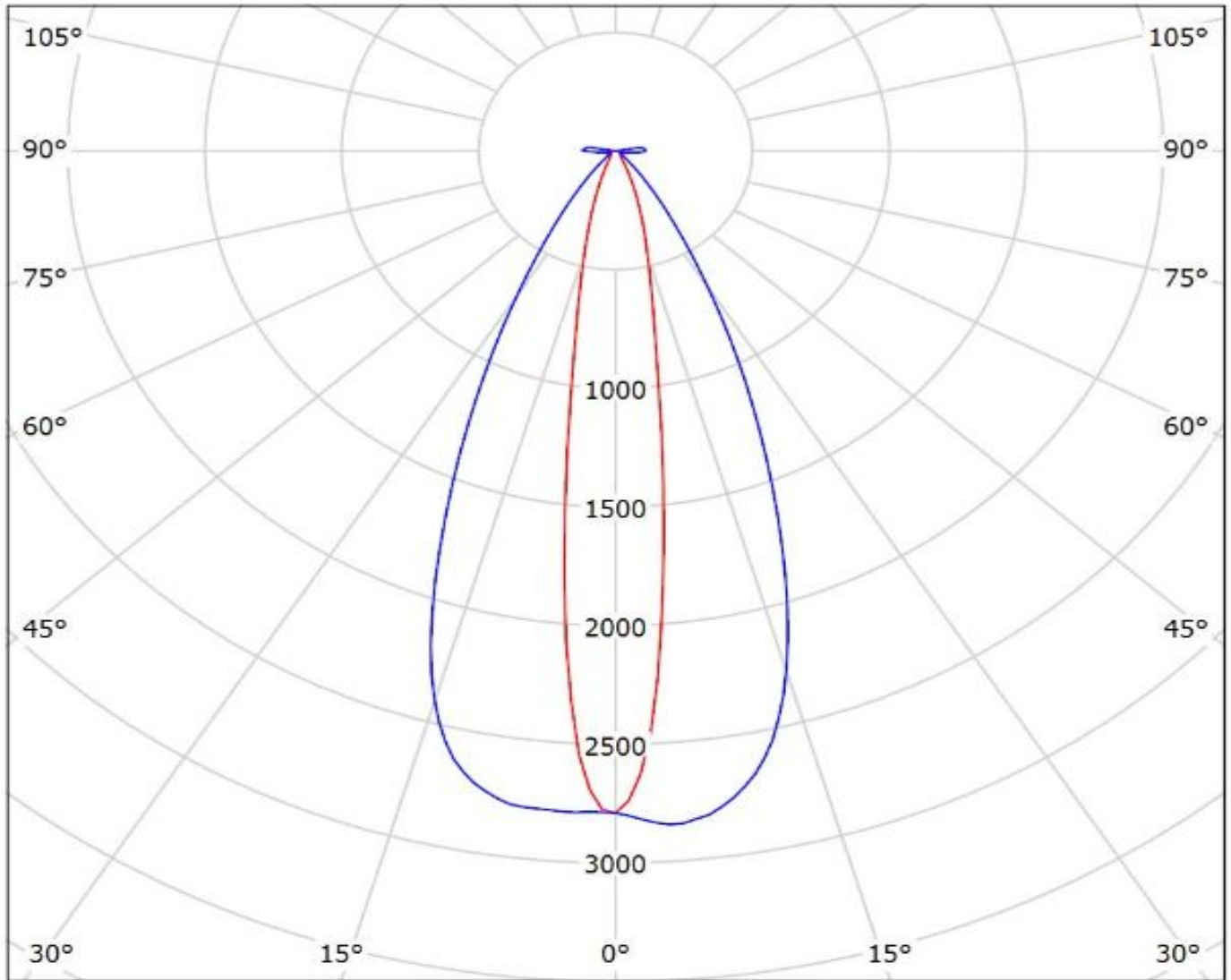
— C0 - C180

— C90 - C270

$\eta = 83\%$

Luminaire: Ledil CA12815_HEIDI-O-90_(NVSW319AE)

Lamps: 1 x Nichia_NVSW319AE_(sm405D440f2L2R70)_126.795lm@250mA_P=0.73515W_I=0.250A



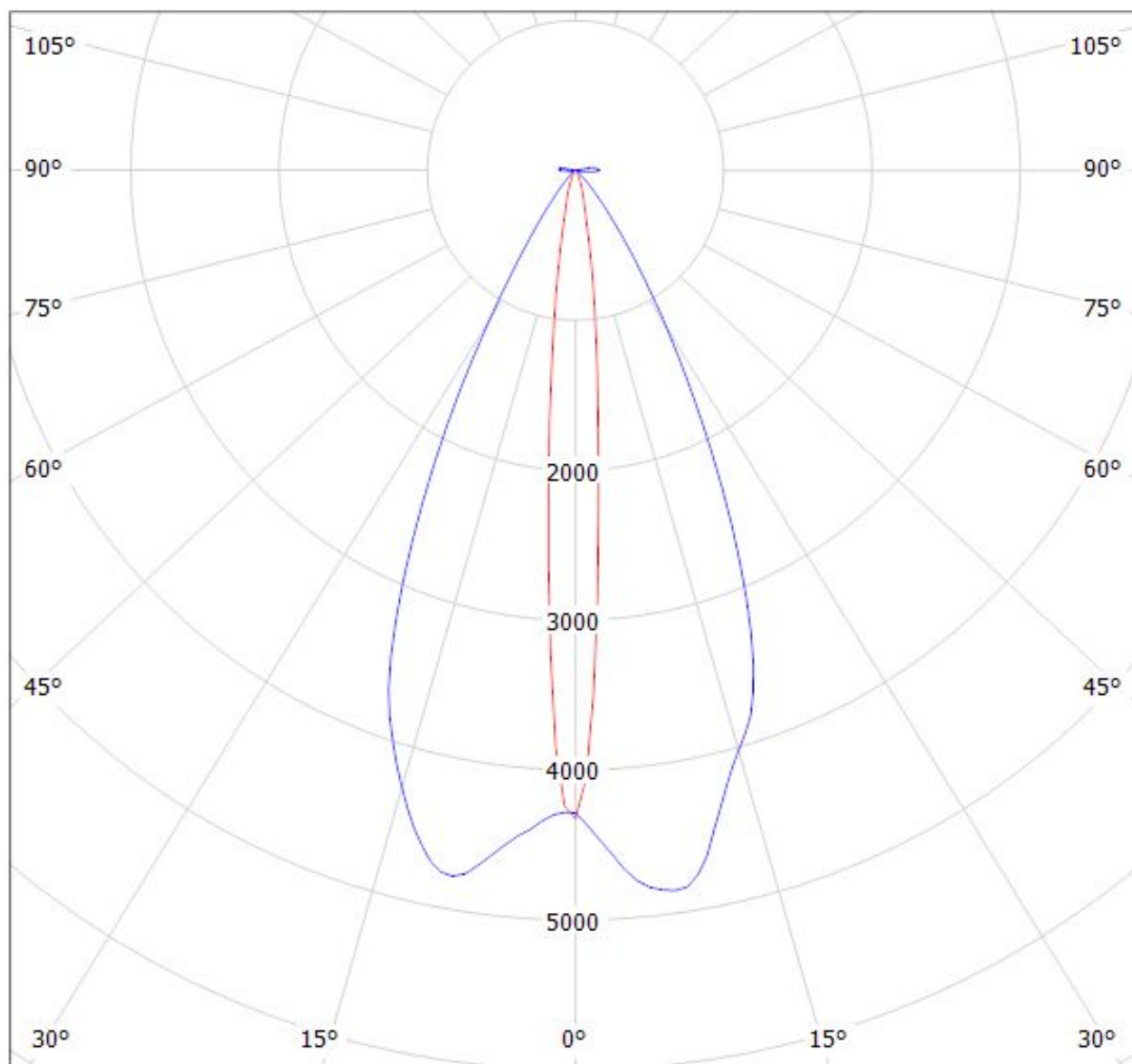
cd/klm

— C0 - C180 — C90 - C270

$\eta = 90\%$

Luminaire: LEDiL Oy CA12815_HEIDI-O-90_(SSL150)

Lamps: 1 x Oslon_SSL150_(LCW_CRDP_EC-LPLR-5H7I-1)_88.987lm@250mA_CCT=3747K_P=0.7498W_I=0.250A



cd/klm

— C0 - C180 — C90 - C270

$\eta = 93\%$

NOTE: The typical divergence will be changed by different color, chip size and chip position tolerance. The typical total divergence is the full angle measured where the luminous intensity is half of the peak value.