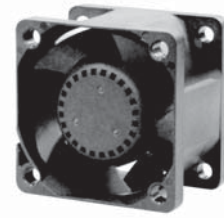



38x38x28 mm

11.3~23.0 CFM

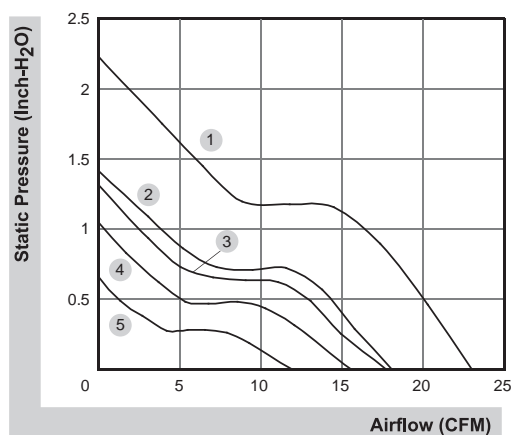


■ Specifications

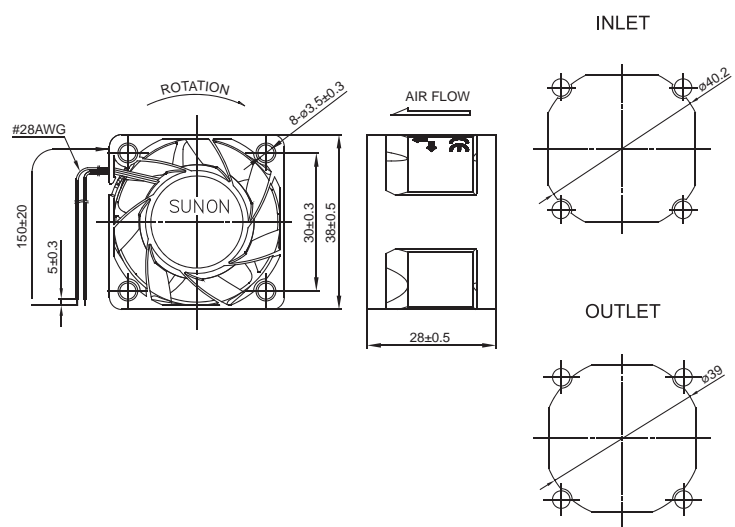
	Bearing	Rating Voltage	Power Current	Power Consumption	Speed	Air Flow	Static Pressure	Noise	Weight	Curve
	● VAPO	(VDC)	(mA)	(WATTS)	(RPM)	(CFM)	(inch-H ₂ O)	(dB(A))	(g)	
PF38281V1-000U-A99	●	12	574	6.89	16000	18.1	1.42	51.8	43.0	2

Model	Bearing	Rating Voltage	Power Current	Power Consumption	Speed	Air Flow	Static Pressure	Noise	Weight	Curve
	⊕ 2BALL Sleeve	(VDC)	(mA)	(WATTS)	(RPM)	(CFM)	(inch-H ₂ O)	(dB(A))	(g)	
PF38281BX-000U-A99	⊕	12	520	6.24	20000	23.0	2.23	57.0	41.0	1
PF38281B1-000U-A99	⊕	12	315	3.78	16000	18.1	1.42	51.8	41.0	2
PF38281B2-000U-A99	⊕	12	290	3.48	15000	16.9	1.26	53.0	40.0	3
PF38281B3-000U-A99	⊕	12	194	2.33	13000	14.9	1.00	47.3	40.0	4
PF38281B4-000U-A99	⊕	12	115	1.38	10000	11.3	0.60	40.8	40.0	5

■ Air Flow-Static Pressure Characteristics



■ External dimensions(mm)



*All model could be customized. Please contact with Sunon Sales.

*Specifications are subject to change without notice. Please Visit SUNON website at www.sunon.com for update information.