



PRODUCT DATASHEET

Tyra series

last update 14/10/2015

DETAILS

Product Number	C11394_TYRA-S
Family	Tyra
Type	Reflector
Color	metal
Diameter	40 mm
Height	23,1 mm
Style	round
Optic Material	PC
Holder Material	
Fastening	socket
Status	production ready
ROHS Compliant	Yes
Date Updated	14/10/2015



OPTICAL PROPERTIES

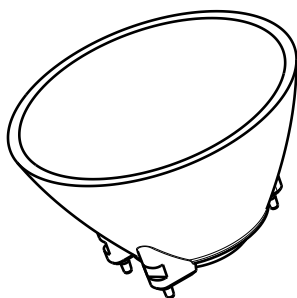
LED	Viewing Angle	Light Beam	Efficiency	cd/lm	Connector
MP-L	20 deg	Spot	-	-	-

D

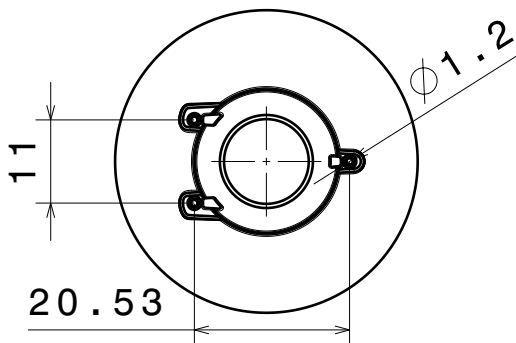
C

B

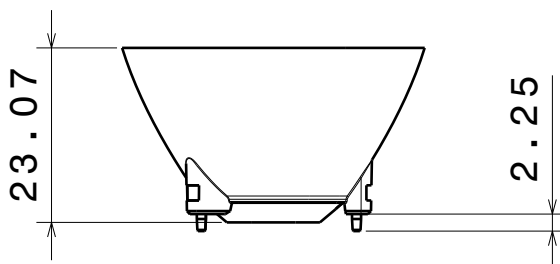
A



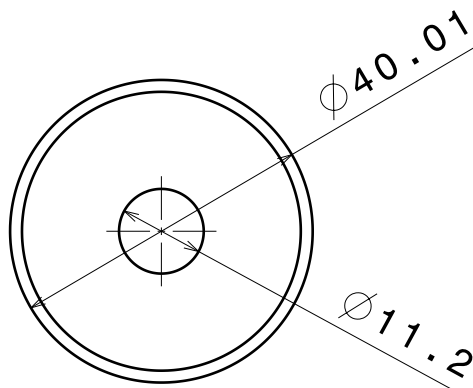
Isometric view
Scale: 1:1



Bottom view
Scale: 1:1



Front view
Scale: 1:1



Top view
Scale: 1:1

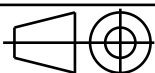
INDEX	DESCRIPTION	MATERIAL	COLOUR
1	Tyra series	PC	metal

Tolerances if not otherwise shown
According to DIN ISO 2768-1
Linear measures:
up to 30mm class M, otherwise class C
According to DIN ISO 2768-2
Form and position: class L

LEDiL

Ledil Oy
Salorankatu 10
FIN 24240 SALO
Finland

THIRD ANGLE PROJECTION:



DRAWING TITLE

Tyra series datasheet

This drawing is the property
of LEDiL Oy. It may not be
reproduced, copied or
communicated without a written
agreement with LEDiL Oy.

SIZE PART NUMBER

A4

-

SCALE 1:1 WEIGHT

-

SHEET 1/1

D

A

4

4

3

3

2

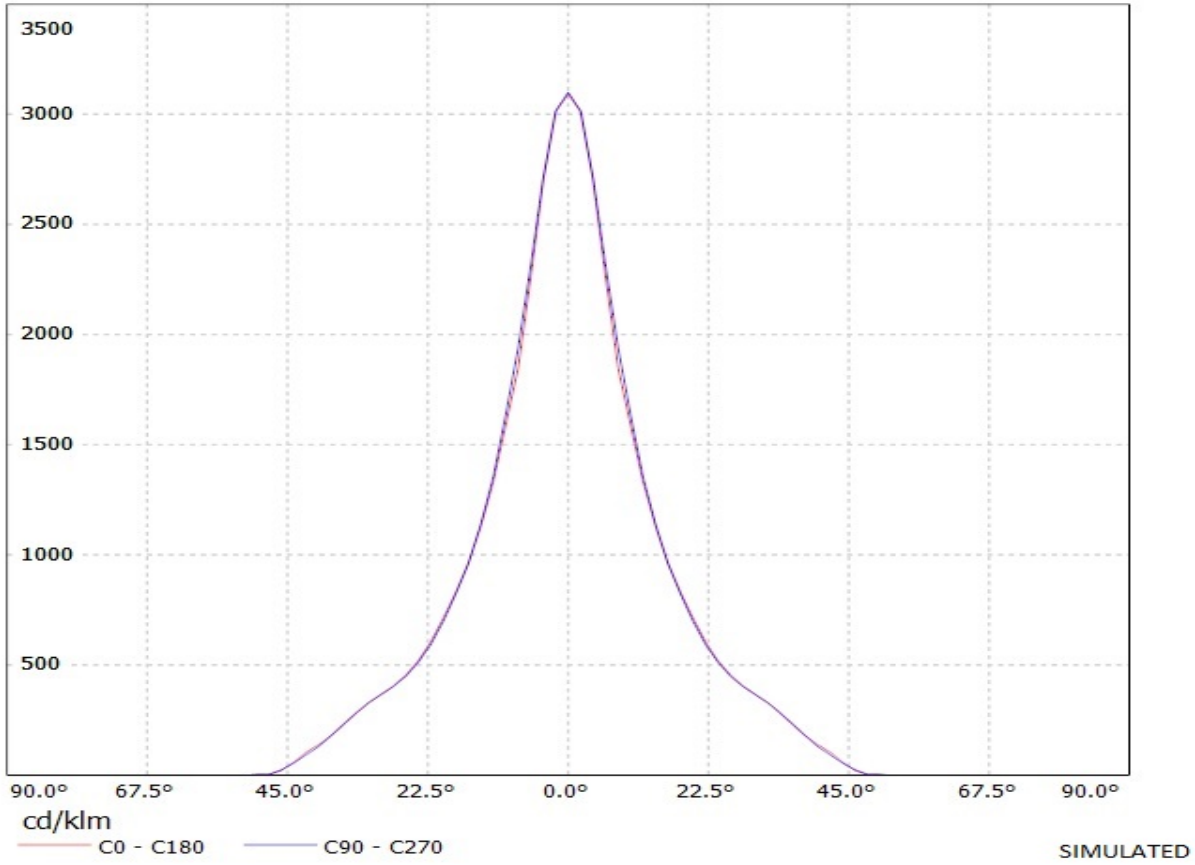
2

1

1

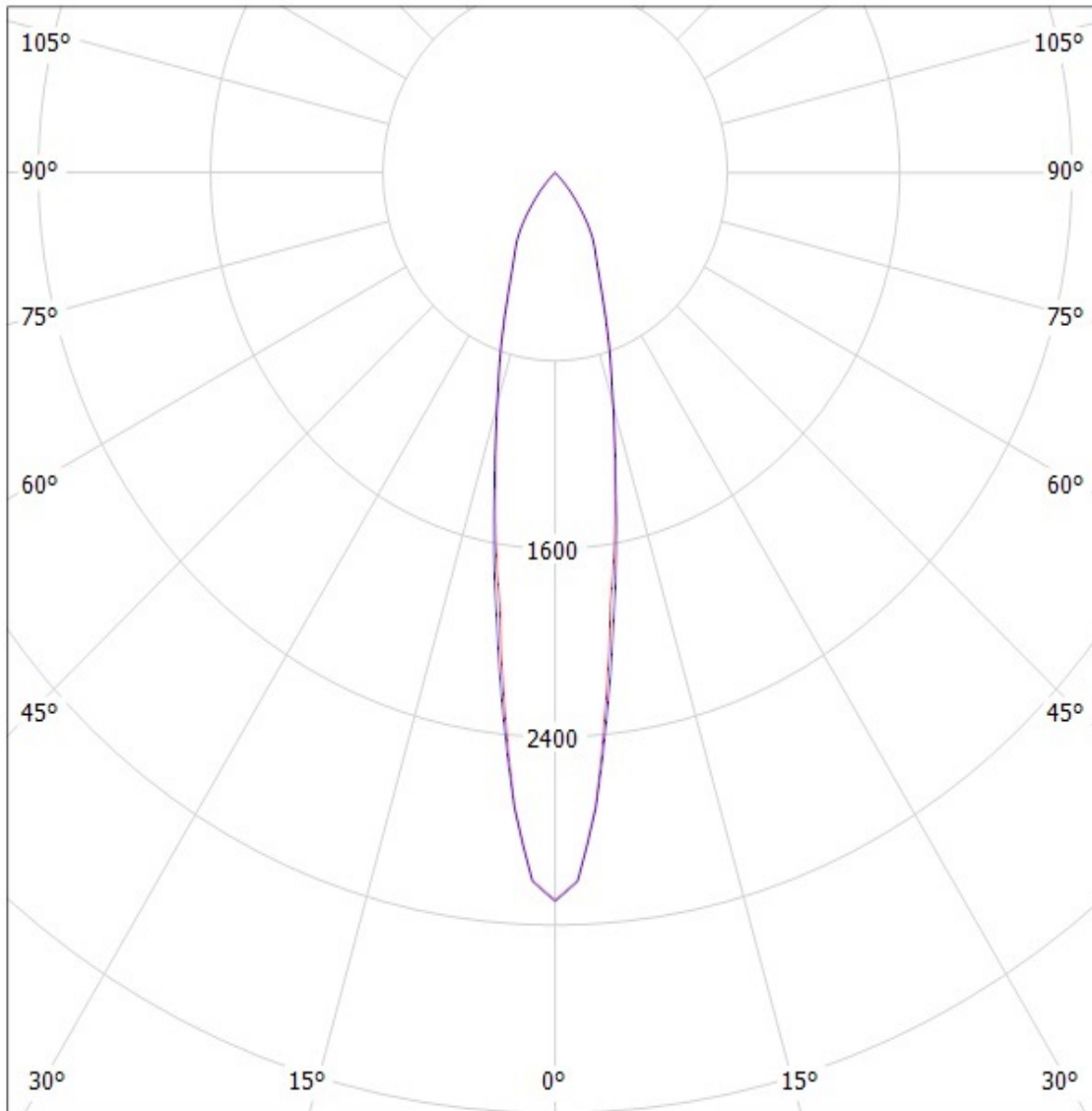
Ledil Oy C11394_Tyra-S C11394_Tyra-S / LDC (Linear)

Luminaire: Ledil Oy C11394_Tyra-S C11394_Tyra-S
Lamps: 1 x Cree MPL (White)



Ledil Oy C11394_Tyra-S C11394_Tyra-S / LDC (Polar)

Luminaire: Ledil Oy C11394_Tyra-S C11394_Tyra-S
Lamps: 1 x Cree MPL (White)



cd/klm

— C0 - C180 — C90 - C270

SIMULATED

NOTE: The typical divergence will be changed by different color, chip size and chip position tolerance. The typical total divergence is the full angle measured where the luminous intensity is half of the peak value.