

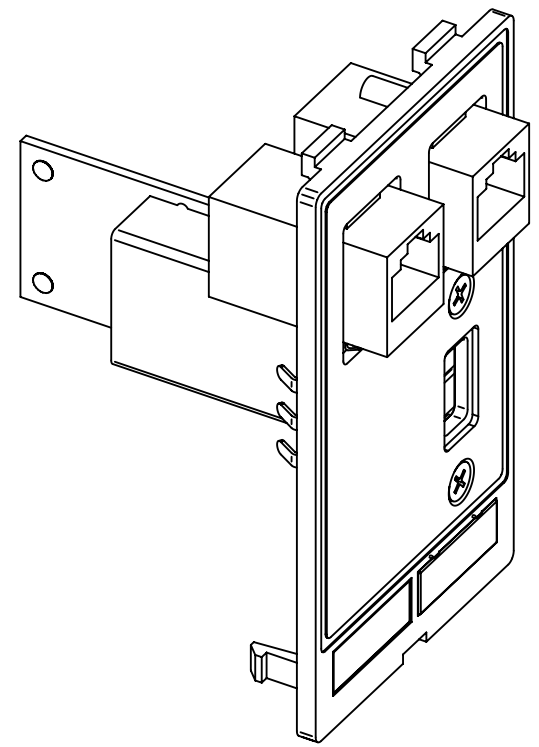
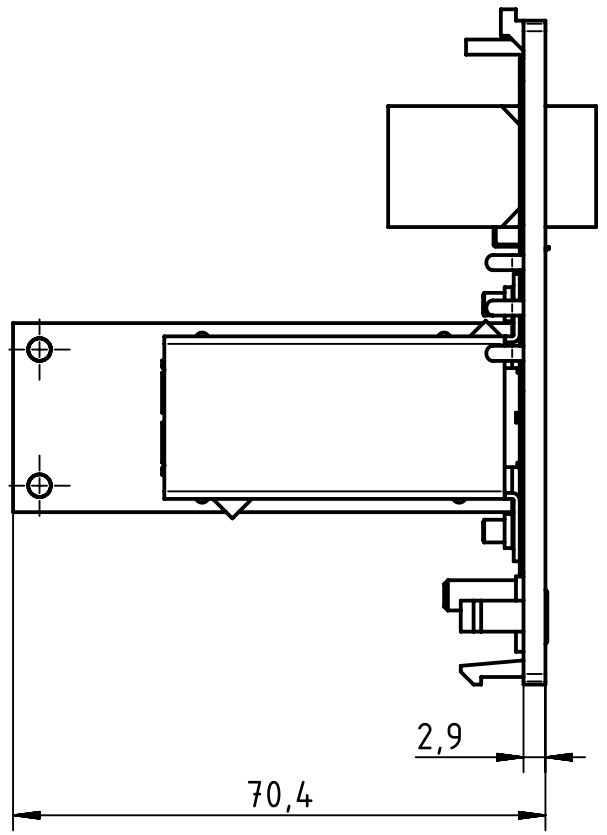
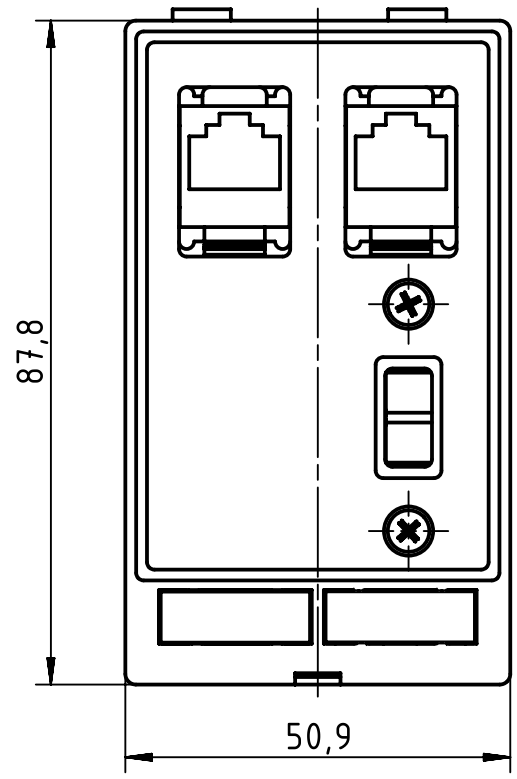
1 2 3 4 5 6

A


B

C

D



assembly instructions enclosed

	All rights reserved Department EL PD - DE HARTING Electric GmbH & Co. KG D-32339 Espelkamp	All Dimensions in mm Original Size DIN A4		Scale 1:1	Free size tol.	Ref. Sub.
		Created by RULLKOETTER	Inspected by SCHNIEDER	Standardisation TIEMANNA	Date 2013-12-11	State Final Release
Title Data modul					Doc-Key / ECM-Nr. 100211753/UGD/004/A 500000068860	
Type TB				Number 39 50 002 0133		Rev. A
						Page 1/1