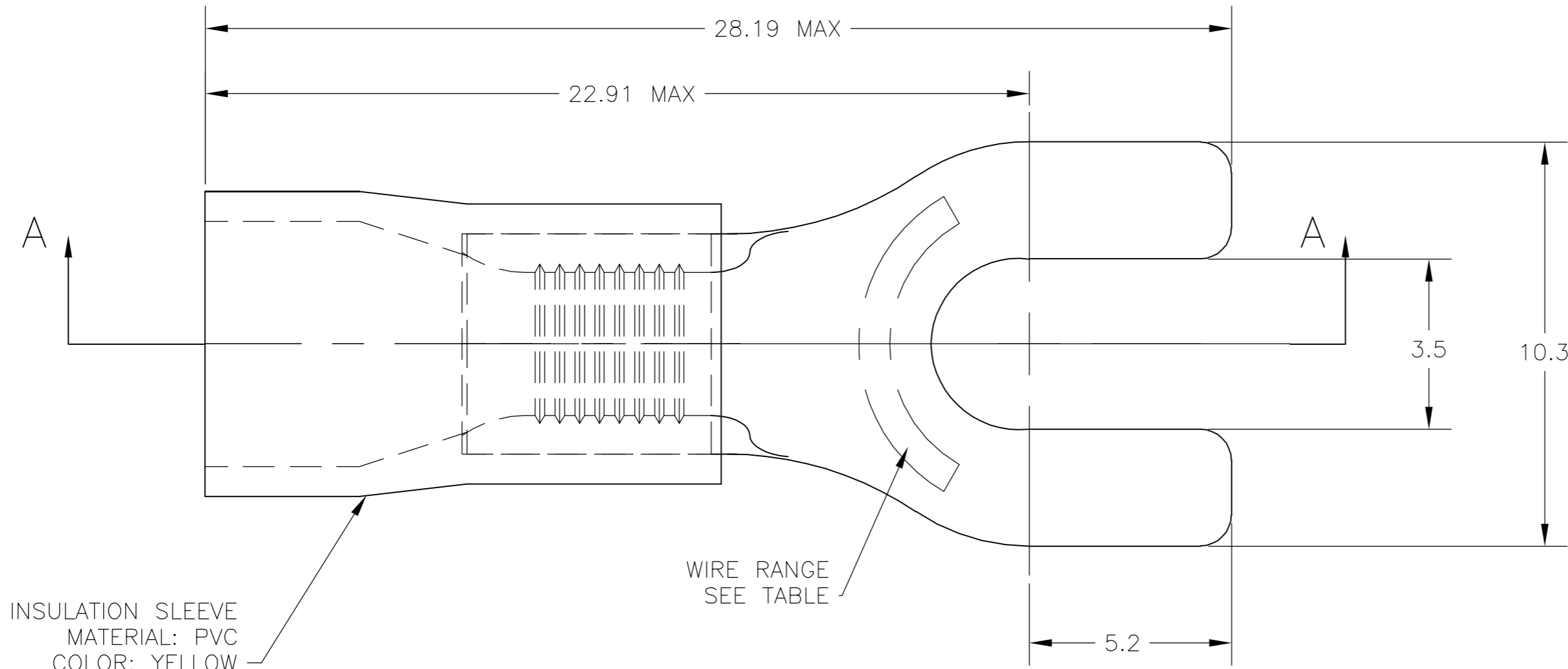
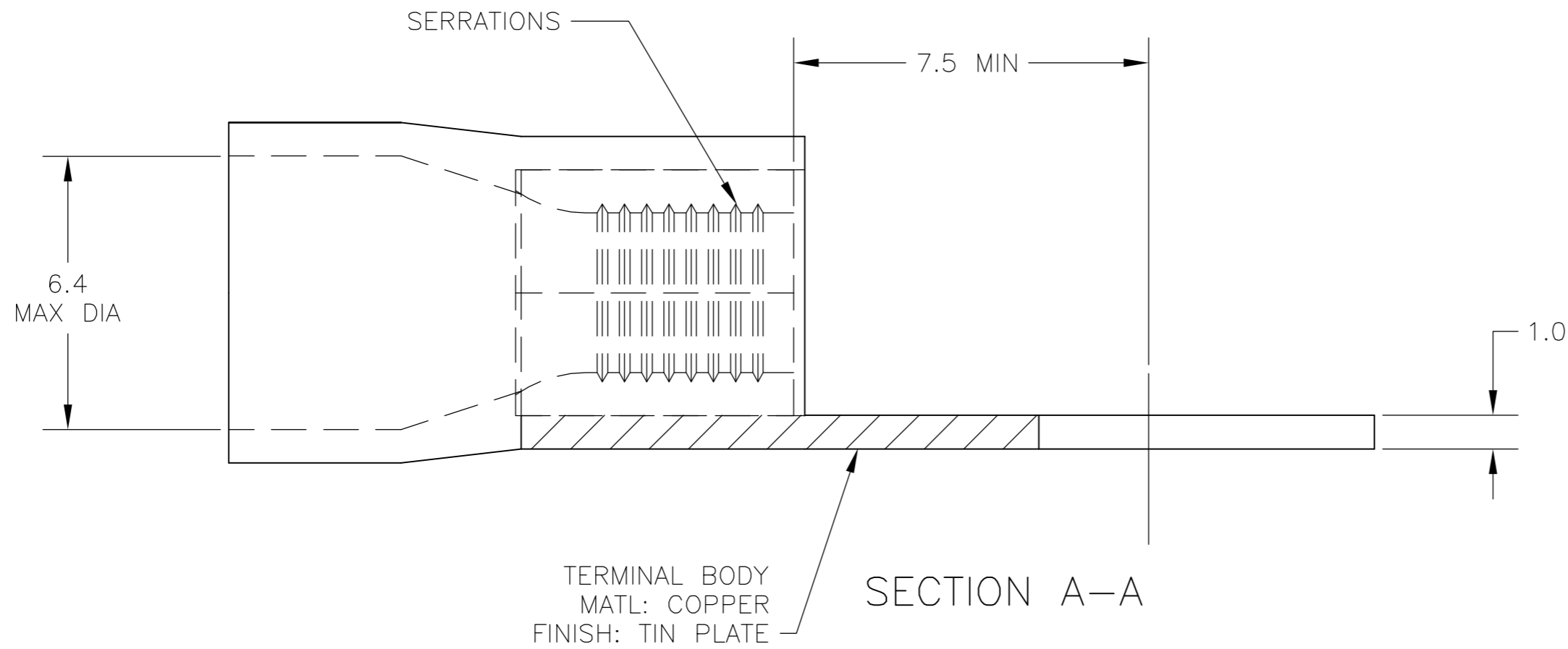


THIS DRAWING IS UNPUBLISHED. RELEASED FOR PUBLICATION
 © COPYRIGHT BY TYCO ELECTRONICS CORPORATION. ALL RIGHTS RESERVED.

LOC	DIST	REVISIONS					
		P	LTR	DESCRIPTION	DATE	DWN	APVD
G	02		G2	REV PER ECR-07-000835	12JAN07	JR	TM



△1 SUPERSEDED BY 342197-1
 △2 OBSOLETE - NO REPLACEMENT



POLY BAG WITH HEADER	STANDARD	50	△1	7-342197-1
PLASTIC BOX	STANDARD	50	△1	6-342197-1
TAPED MOUNTED	STANDARD	2500	△2	2-342197-1
PLASTIC BAG	STANDARD	500		342197-1
PACKAGING	LABELLING	QTY RED		PART NO.

THIS DRAWING IS A CONTROLLED DOCUMENT.		DWN jr ruth 07AUG03	Tyco Electronics Corporation Harrisburg, Pa 17105-3608	
DIMENSIONS: INCHES		CHK T MICHIELUTTI 07AUG03	NAME T MICHIELUTTI	
TOLERANCES UNLESS OTHERWISE SPECIFIED:		APVD T MICHIELUTTI 07AUG03	PRODUCT SPEC	
0 PLC ± -		APPLICATION SPEC		
1 PLC ± 0.5		WEIGHT -		
2 PLC ± -		SIZE A2 CAGE CODE 00779 DRAWING NO C=342197		
3 PLC ± -		RESTRICTED TO -		
4 PLC ± -		SCALE 5:1 SHEET 1 OF 1 REV G2		
ANGLES ± 1°		CUSTOMER DRAWING		
FINISH -				