

SPECIFICATIONS

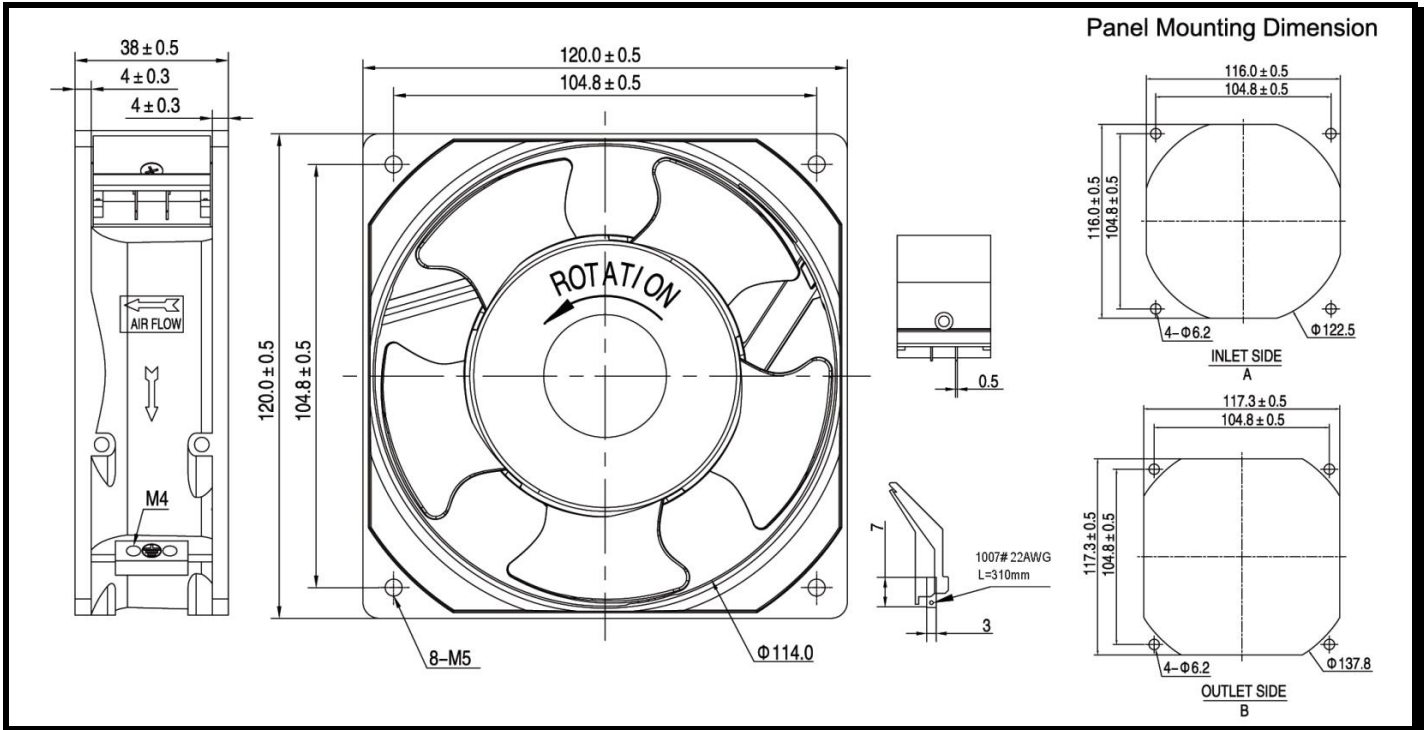
RoHS



Model Number: MX3B1
Part Number: 19028421A

Version: 01
July 20, 2016

Mechanical Drawing:



Motor:

Start Voltage	= 165VAC
Rated Voltage	= 220 VAC $\pm 10\%$
Operating Voltage Range	= 198~242VAC
Operating Frequency	= 50/60Hz
Rated Current	= 0.13/0.11A
Input Power	= 21/18Watt
Rated Speed	= 2700/3100RPM $\pm 10\%$
Bearings	= Ball
Airflow	= 84/100CFM (Measuring at zero static pressure)
Static Pressure	= 0.28/0.34'' H ₂ O (Measuring at zero air flow)
Noise Level	= 49/51 dB(A)
Net Weight	= 460 gram. (Measuring at 25°C, RH 65% for Above Items)

Construction:

Venturi: High quality magnesium alloy die-casting frame with ED coating and powder coating, Black.
Propeller: Magnesium alloy ED coating and painting.

Life Expectancy:

This fan is designed for continuous duty life of 60,000 hours at 20°C; 50,000 hours at 40°C; 40,000 hours at 60°C.

Additional Features:

Insulation Resistance: 100M Ω or more at 500 V megger.
Dielectric strength: 2 seconds at 1800 VAC/ 50-60 Hz.
Thermal Shock: Test per MIL-STD-202F, method 107G, condition D.
Operating Temperature: -50°C to 80°C
Storage Temperature: -20°C to 50°C
Humidity RH: 20% ~ 85% (Max.)
Ingress of protection: IP55/Mg Impeller

Termination:

See Mechanical Drawing.
Joint terminal suit with 22AWG 1007# Wire
PV1.25-3A-0.5 terminal (TAIWAN UTA Co.)

Agency Approvals:

UL, CUL, CE