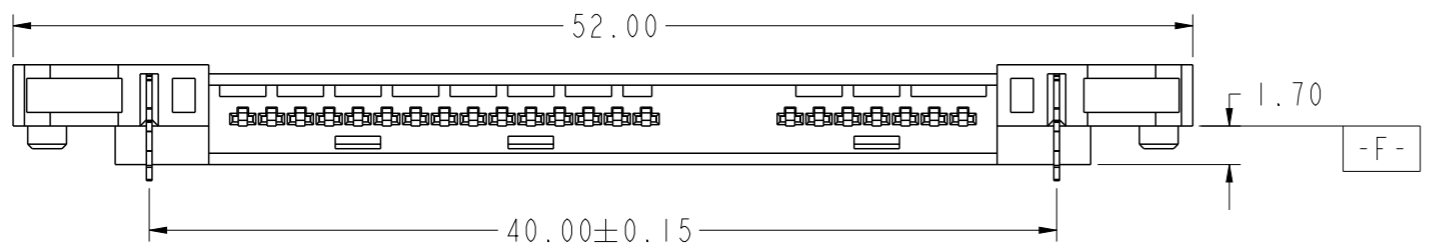
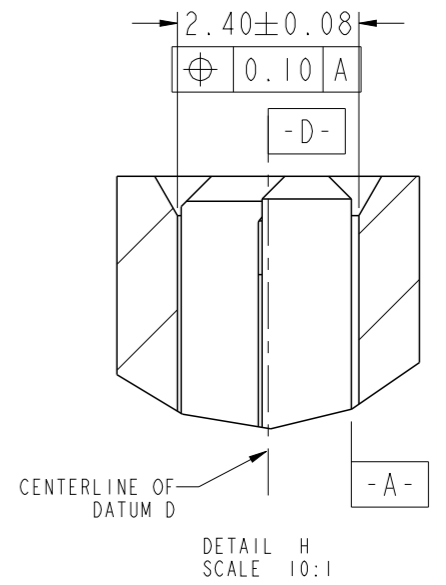
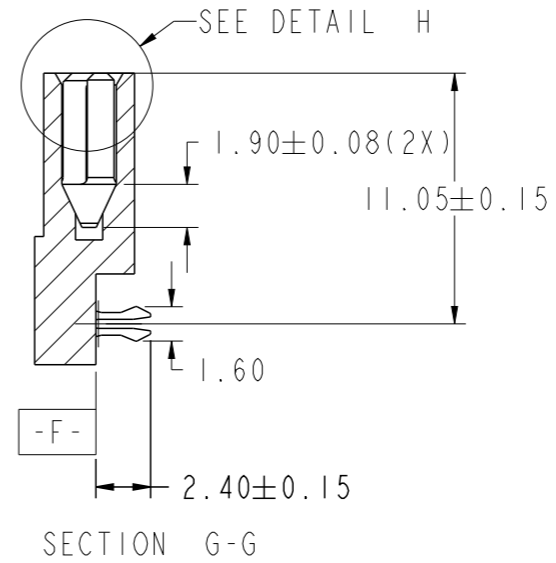
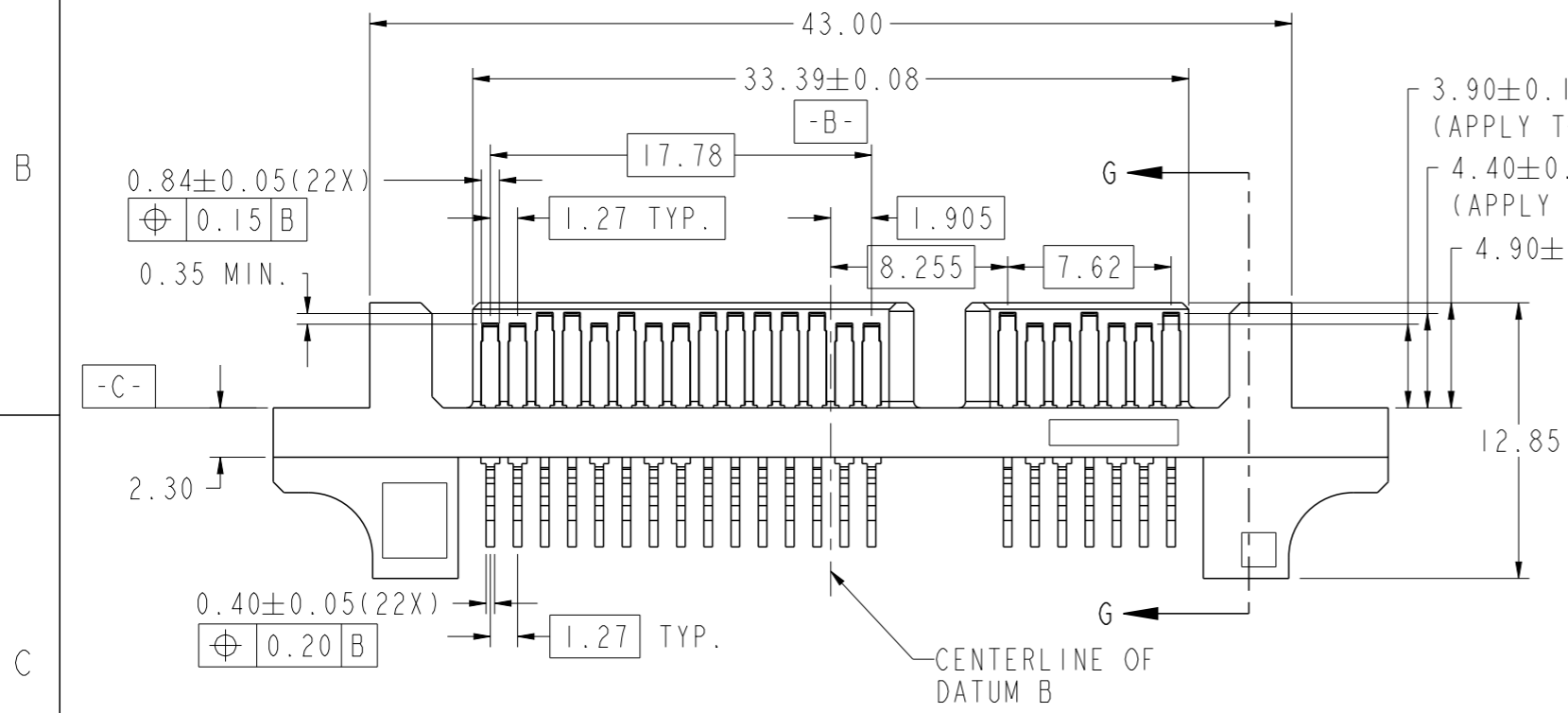
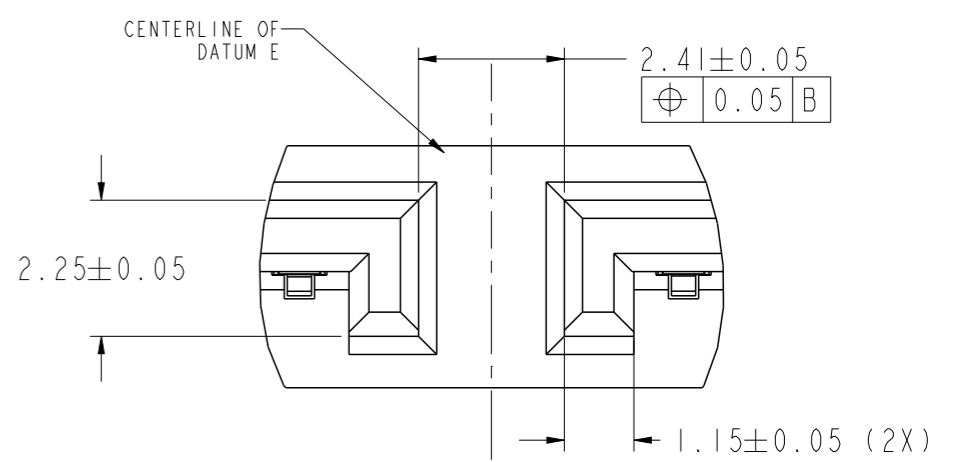
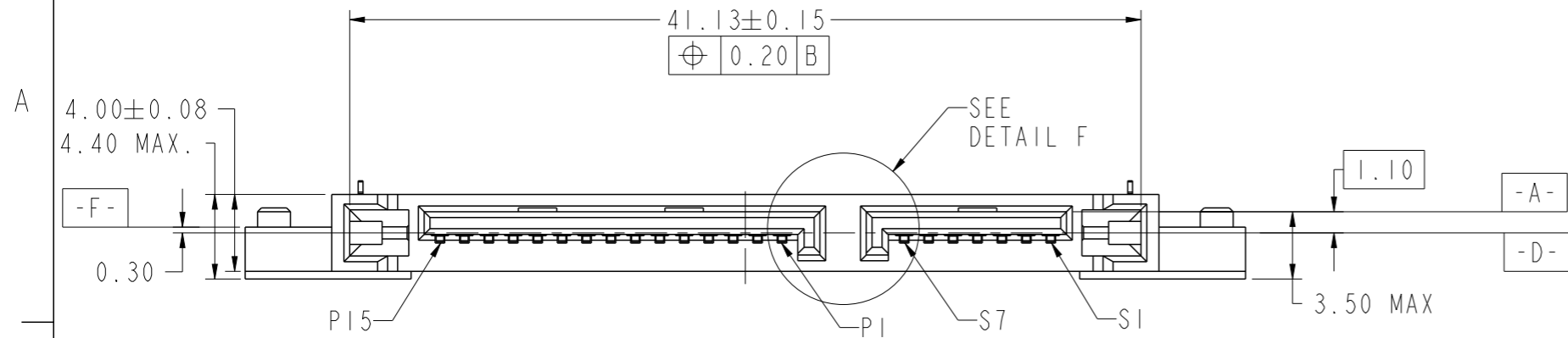


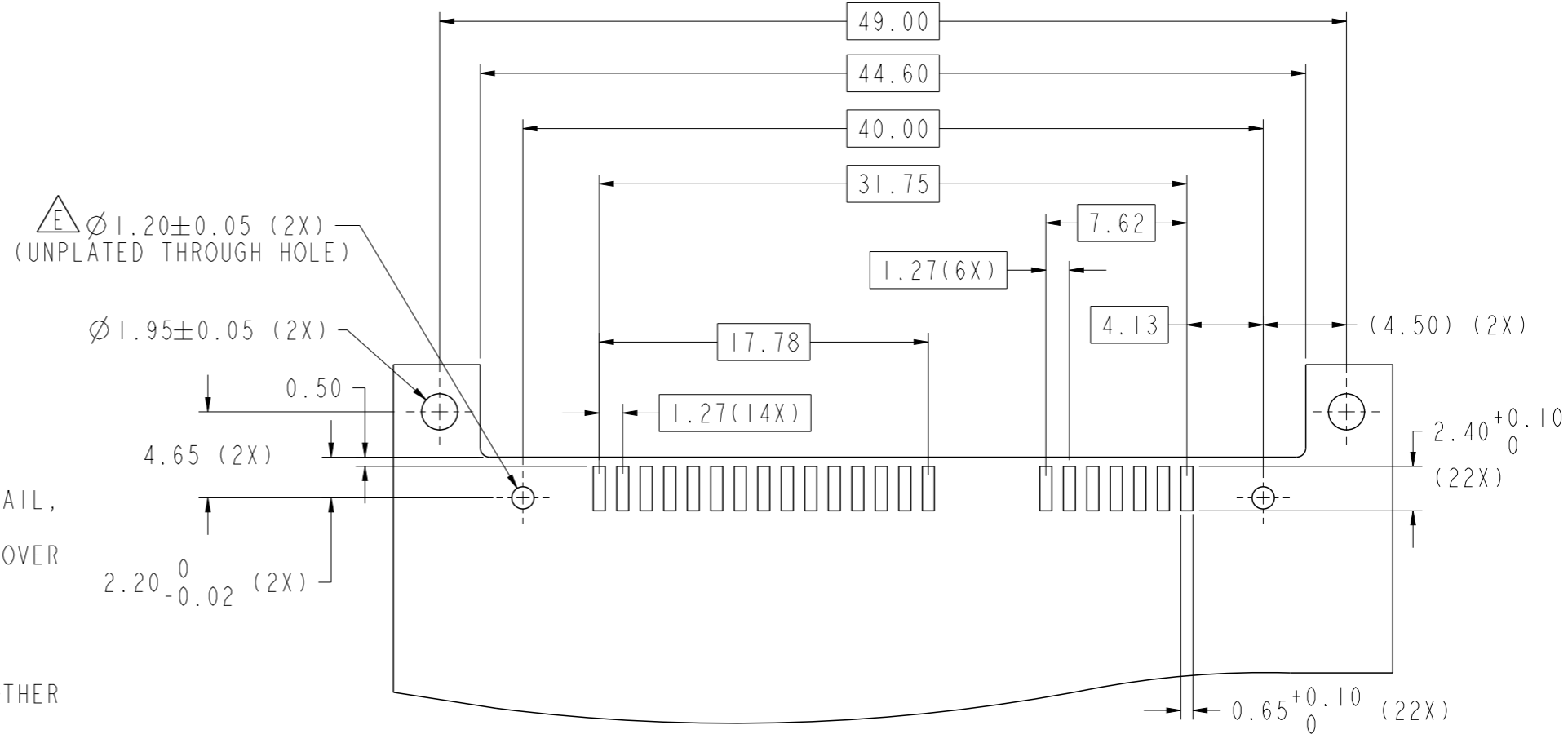
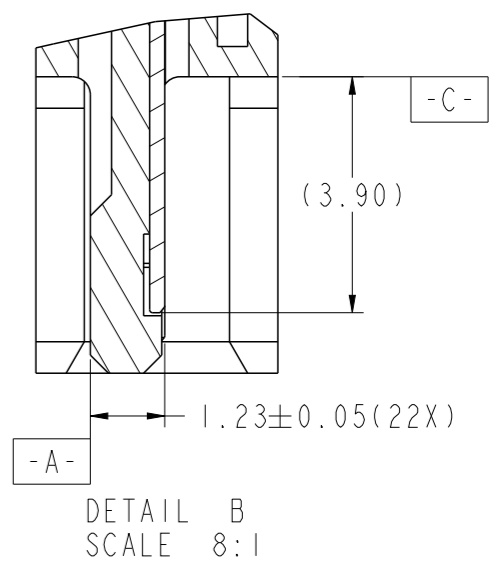
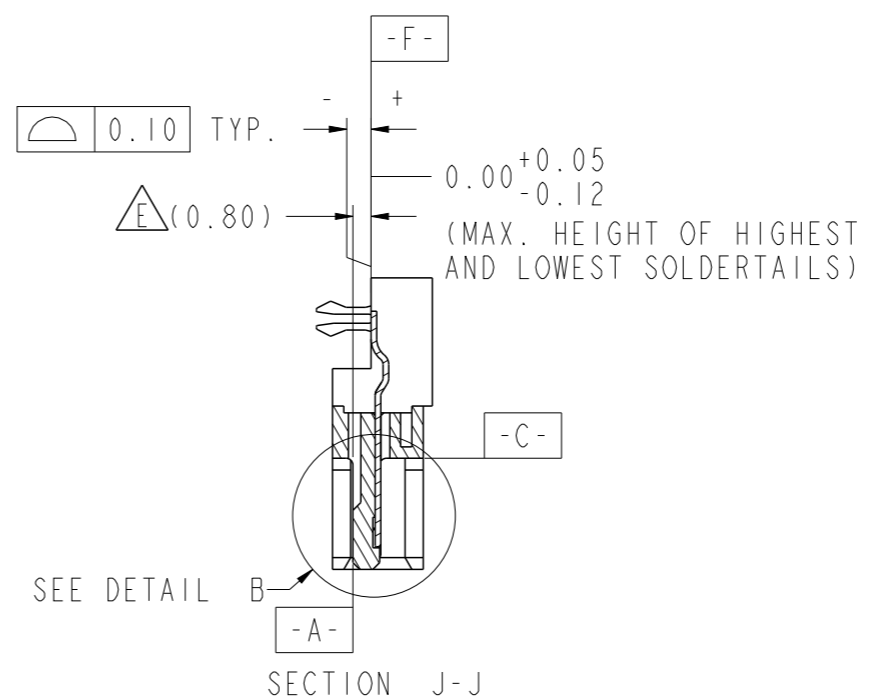
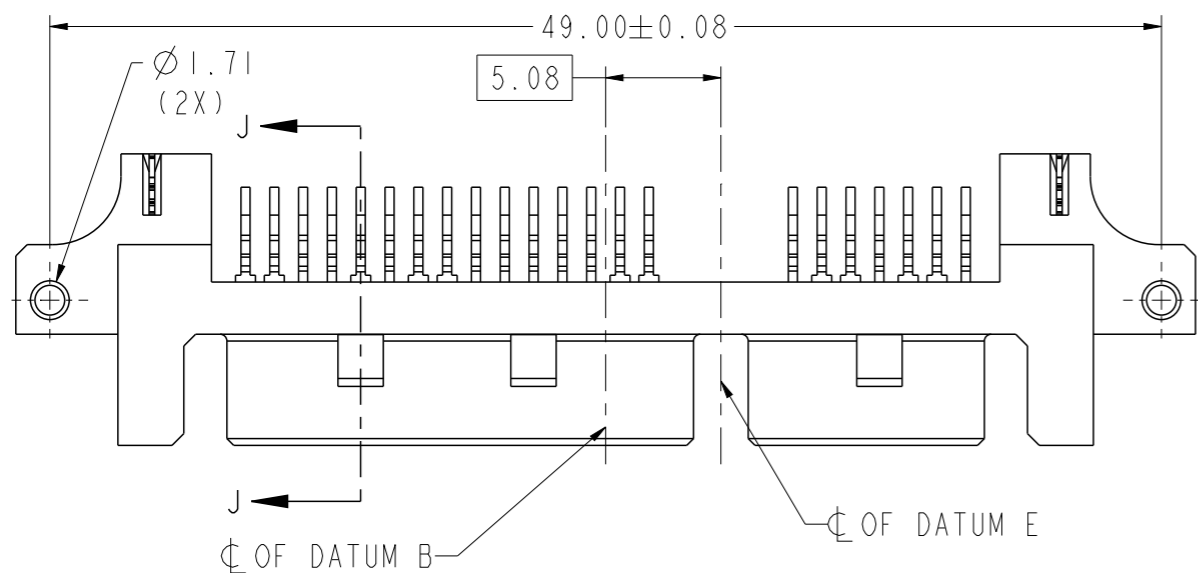
PRODUCT NO.  
10039651-001LF



Copyright FCI.

spec ref	dr	wcadmin	2005/05/24	projection	MM	size	A3	scale	3:1
tolerance std	eng	Jeffrey Lim	2014/06/04			ecn no	ELX-S-17837-1	rel level	Released
ASME Y14.5	chr	-	2014/06/08						
surface		linear	0.X	±0.25		SATA PLUG R/A TYPE ASSY	dwg no	10039651	rev
			0.XX	±0.13					
			0.XXX	±0.050					
	angular	0°	±2°	www.fci.com	cat. no.	Product - Customer Drw	sheet 1 of 2		

PRODUCT NO.	PACKAGING
10039651-001LF	TRAY



- NOTES:
- MATERIAL:  
HOUSING: HIGH TEMPERATURE PLASTIC, BLACK, UL94V-0  
CONTACT & HOLD DOWN: COPPER ALLOY
  - FINISH:  
CONTACT: 1.27um Min. NICKEL UNDERPLATE OVERALL,  
1.91um Min. 100% MATTE TIN (LEAD-FREE) ON SOLDER TAIL,  
0.76um Min. GOLD ON CONTACT AREA  
HOLD DOWN: 2.54um Min. 100% MATTE TIN (LEAD-FREE) OVER  
1.27um Min. NICKEL UNDERPLATE
  - RECOMMENDED PCB THICKNESS: 1.60mm
  - PRODUCT SPECIFICATION: GS-12-194
  - PACKAGING SPECIFICATION: GS-14-952
  - THIS PRODUCT MEETS EUROPEAN UNION DIRECTIVES AND OTHER  
COUNTRY REGULATIONS AS DESCRIBED IN GS-47-0004
  - THE HOUSING WILL WITHSTAND EXPOSURE TO 260°C PEAK  
TEMPERATURE FOR 10 SECONDS IN A CONVECTION, INFRA-RED  
OR VAPOR PHASE REFLOW OVEN
  - A SYMBOL  $\triangle E$  WILL BE NEXT TO ANY DIMENSION, VIEW OR NOTE WHICH  
HAS BEEN MODIFIED WITH THE CURRENT DRAWING REVISION

Copyright FCI.

spec ref	dr	wcadmin	2005/05/24	projection	MM	size	A3	scale	3:1
tolerance std	eng	Jeffrey Lim	2014/06/04			ecn no	ELX-S-17837-1	rel level	Released
ASME Y14.5	chr	-	-						
surface	appr	Chen-Hong Tan	2014/06/08	product family		rel level			
linear	0.X	±0.25		SATA PLUG R/A		dwg no 10039651	rev E		
0.XX	±0.13	TYPE ASSY							
0.XXX	±0.050								
angular	0°	±2°	www.fci.com	cat. no.	Product - Customer Drw	sheet 2 of 2			