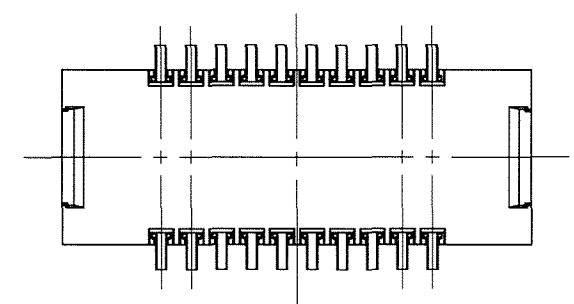
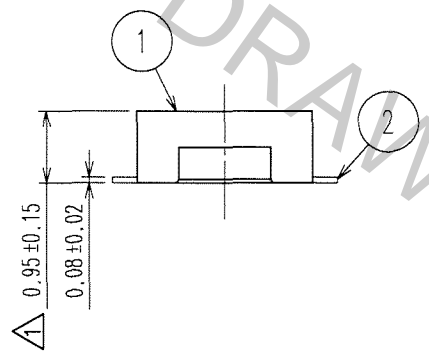
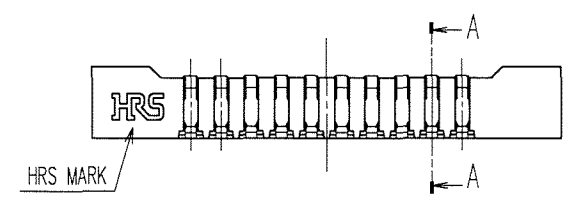
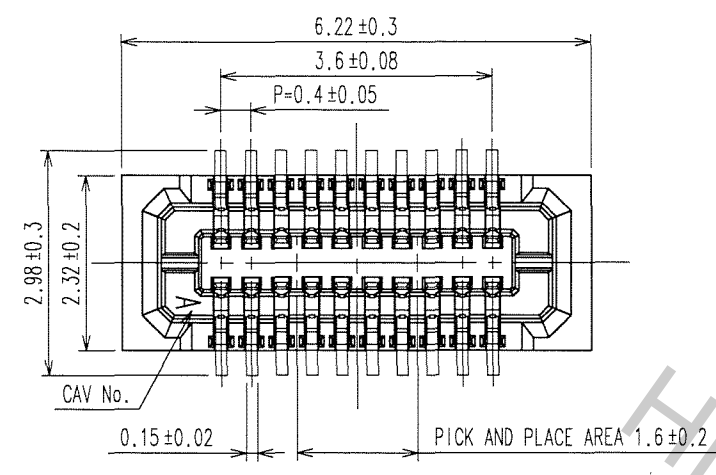
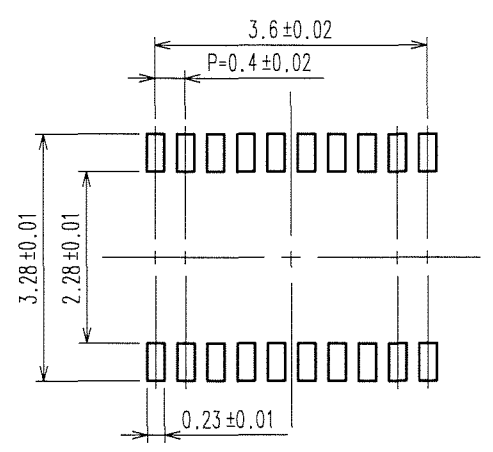


Apr.1.2017 Copyright 2017 HIROSE ELECTRIC CO., LTD. All Rights Reserved.

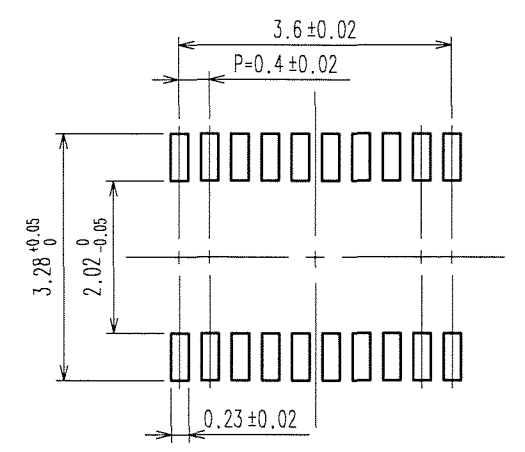
COUNT	DESCRIPTION OF REVISIONS	BY	CHKD	DATE	COUNT	DESCRIPTION OF REVISIONS	BY	CHKD	DATE
4	DIS-H-002764	R.S	K.M	08.01.29					



RECOMMENDED METAL MASK  
OPENING PATTERN

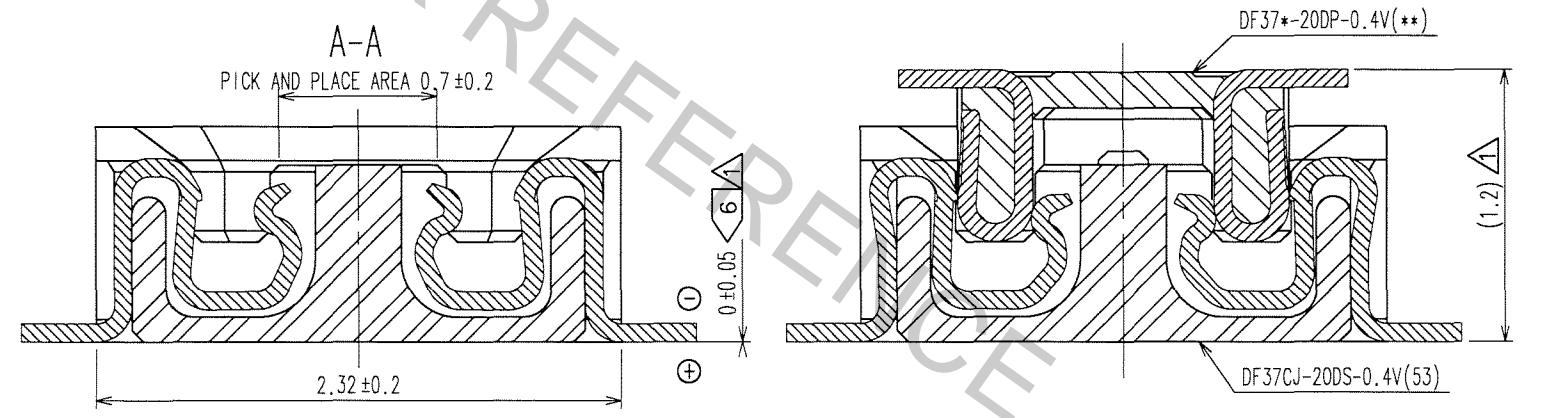


RECOMMENDED PATTERN



RECOMMENDED SOLDER PASTE: THICKNESS 120μm

ENGAGEMENT FIGURE



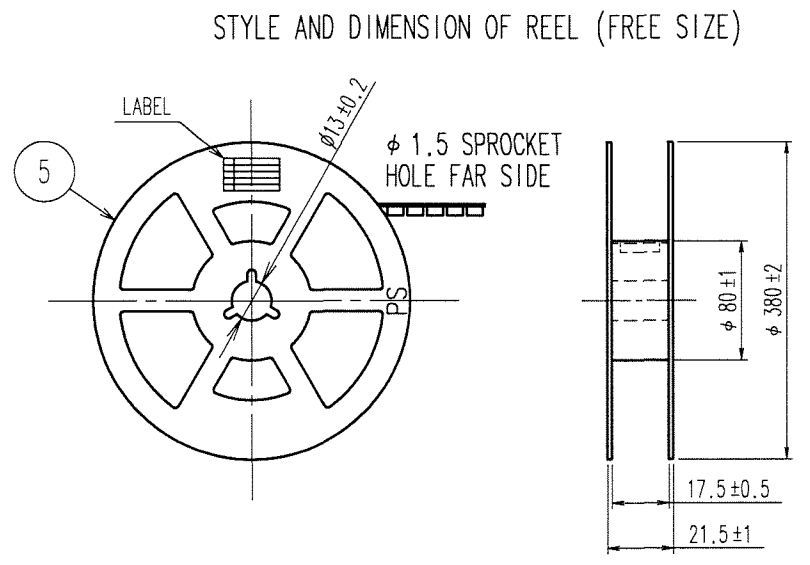
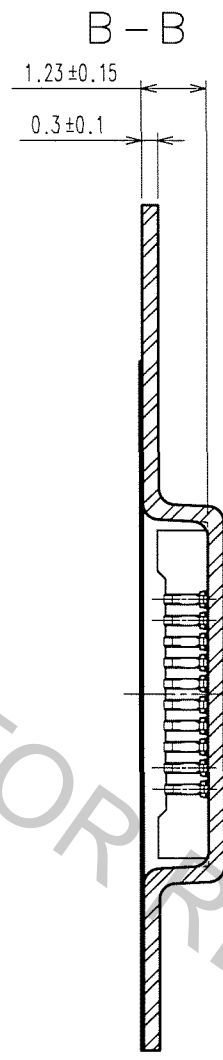
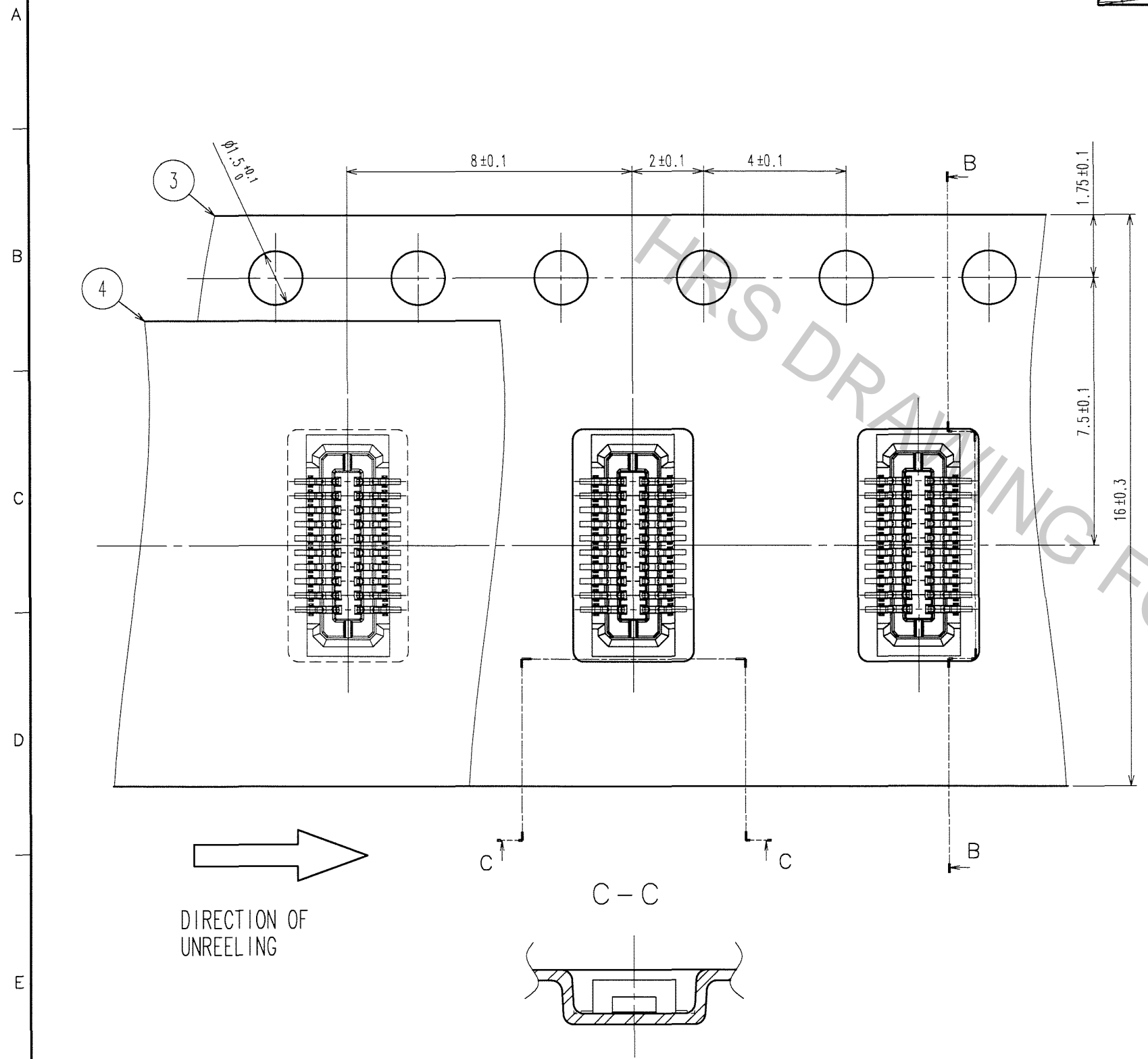
- NOTE 1. ALL LEADS CO-PLANARITY SHALL BE 0.1 MAX.  
 2. PER REEL : 1000 CONNECTORS.  
 3. AT THE BEGINNING OF THE REEL, 100 mm AT MIN SHALL BE EMPTY POCKETS.  
 AT THE END OF THE REEL, 160 mm AT MIN SHALL BE EMPTY.  
 4. CONTACT PLATING SPECIFICATIONS.  
 CONTACT AREA : GOLD 0.05μm MIN.  
 SMT LEAD : GOLD 0.05μm MIN.  
 UNDERPLATING : NICKEL 1μm MIN.  
 (SURFACE : SEALING)  
 5. PEEL FORCE OF COVER TAPE REFERS TO JIS C 0806.  
 6. PROTRUSION OF CONTACT FROM HOUSING UNDERSIDE.

TO

2	PHOSPHOR BRONZE	4	5	PS	PLASTIC REEL (BLACK)	
1	LCP	UL94V-0, BLACK	4	POLYESTER	CLEAR (COVER TAPE)	
			3	PS	CLEAR (EMBOSSED CARRIER TAPE)	
NO.	MATERIAL	FINISH, REMARKS	NO.	MATERIAL	FINISH, REMARKS	
CODE NO. (OLD)		DRAWN	DESIGNED	CHECKED	APPROVED	RELEASED
		N.Yamashiro	T.Ooi	K.Ikeda	M.Nakamura	
		'07.07.21	'07.07.21	'07.07.23	'07.07.23	
SCALE		DRAWING NO.		PART NO.		
FREE		EDC3-313140-03		DF37CJ-20DS-0.4V(53)		
UNITS		HRS		CODE NO.		
mm		HIROSE ELECTRIC CO., LTD		CL684-3044-5-53		

Apr.1.2017 Copyright 2017 HIROSE ELECTRIC CO., LTD. All Rights Reserved.

COUNT	DESCRIPTION OF REVISIONS	BY	CHKD	DATE	COUNT	DESCRIPTION OF REVISIONS	BY	CHKD	DATE



DETAIL OF PART NO. LABEL

SUPPLIER  
QUANTITY  
PART NO.  
CODE NO.  
DATE OF MANUFACTURED

生産月日	年 月 日
図番	CL684-3044-5-53
品名	DF37CJ-20DS-0.4V(53)
納入数量	1000個
納入者	ヒロセ電機(株)

TO

CODE NO. (OLD)	DRAWN N.Yamashiro '07.07.21	DESIGNED T.Ooi '07.07.21	CHECKED K.Ikeda '07.07.23	APPROVED M.Nakamura '07.07.23	RELEASED 
SCALE FREE: 1	DRAWING NO. EDC3-313140-03		PART NO. DF37CJ-20DS-0.4V(53)		
UNITS mm	HIROSE ELECTRIC CO., LTD		CODE NO. CL684-3044-5-53		2