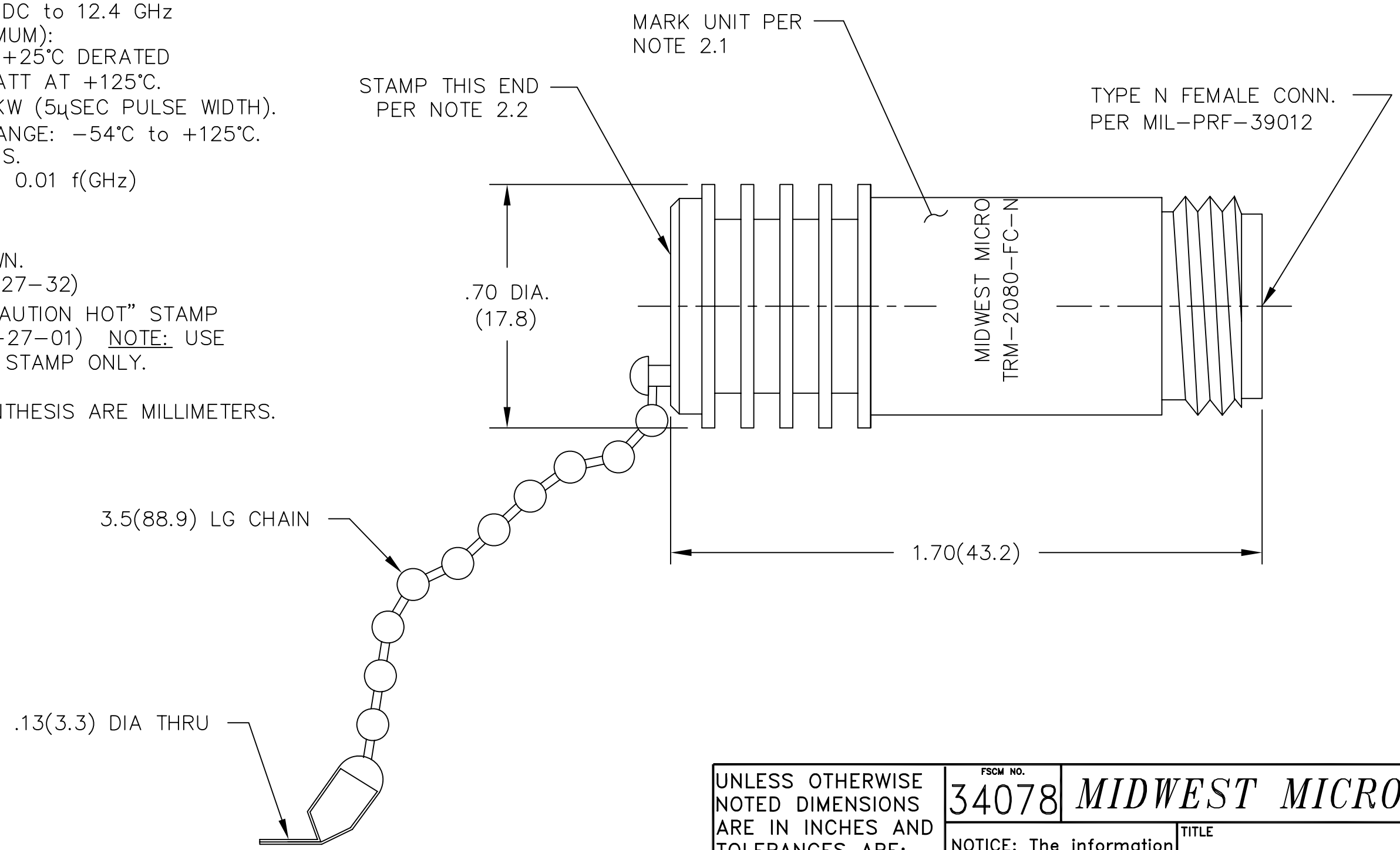


NOTES:

- 1.0 ELECTRICAL SPECIFICATIONS
  - 1.1 FREQUENCY RANGE: DC to 12.4 GHz
  - 1.2 INPUT POWER (MAXIMUM):  
10 WATTS AVG. AT +25°C DERATED  
LINEARLY TO 1.0 WATT AT +125°C.
  - 1.3 PEAK POWER: 0.25 KW (5μSEC PULSE WIDTH).
  - 1.4 OPERATING TEMP. RANGE: -54°C to +125°C.
  - 1.5 IMPEDANCE: 50 OHMS.
  - 1.6 VSWR (MAX.): 1.05 + 0.01 f(GHz)
- 2.0 MARKING
  - 2.1 MARK UNIT AS SHOWN.  
(REF: INK-02639-27-32)
  - 2.2 STAMP END WITH "CAUTION HOT" STAMP  
(REF.: INK-04494-27-01) NOTE: USE  
RED INK FOR THIS STAMP ONLY.
- 3.0 DIMENSIONS IN PARENTHESIS ARE MILLIMETERS.



REV.	DESCRIPTION	DATE
-	RELEASED	7/27/90
-1	UPDATE MODEL NO.	5/17/91
A	UPDATE MARKING/SPECS	6/15/93
B	ECN 13716	6/23/94
B1	ADDED TITLEBLOCK	10/28/05

UNLESS OTHERWISE NOTED DIMENSIONS ARE IN INCHES AND TOLERANCES ARE: 3 PLACE DECIMALS ±.005 2 PLACE DECIMALS ±.02 FRACTIONS ±1/64 PARALLELITY: T.I.R. _____ FLATNESS: T.I.R. _____ CONCENTRICITY: T.I.R. _____ ANGLES AND PERPENDICULARITY: ±1'	FSCM NO. <b>34078</b>	<b>MIDWEST MICROWAVE</b>	
	NOTICE: The information contained in this drawing is proprietary and must not be used without the permission of Midwest Microwave	TITLE TERMINATION	
DRAWN/DATE D.ESTY 7/23/90	ENG./DATE R.ANDERSON 7/27/90	DRAWING NUMBER TRM-2080-FC-NNN-07	
CHECKED/DATE A.BEATTY 7/28/90	APPROVED/DATE	SCALE: 3=1	SHEET 1 of 1