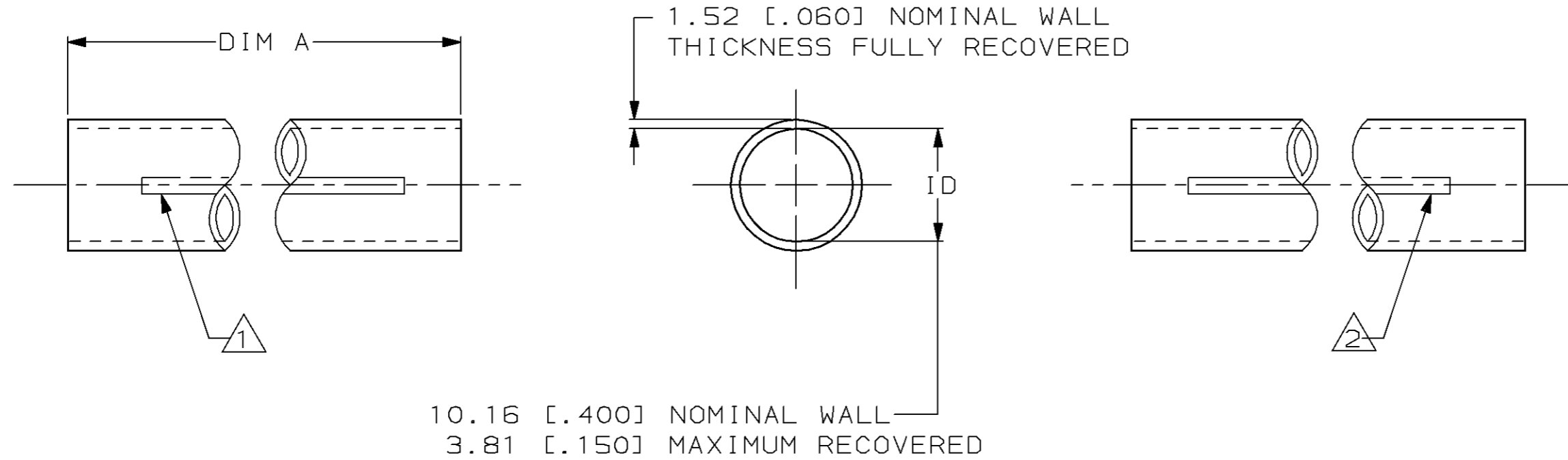


THIS DRAWING IS UNPUBLISHED. RELEASED FOR PUBLICATION, 19 .  
 © COPYRIGHT 19 BY AMP INCORPORATED. ALL INTERNATIONAL RIGHTS RESERVED.

|     |      |   |   |           |     |                      |         |      |      |
|-----|------|---|---|-----------|-----|----------------------|---------|------|------|
| LOC | DIST | P | F | REVISIONS |     |                      |         | DATE | APPD |
| AA  | 25   |   |   | ZONE      | LTR | DESCRIPTION          | 16SEP97 | DS   |      |
|     |      |   |   |           | P   | REV; EC ON20-0053-97 |         | EH   |      |



- ① PRODUCT MARKED WITH AMP, AND DATE CODE WITH 6.35 [.25] HIGH CHARACTERS USING WHITE INK LOCATED ALONG THIS SURFACE. REPEAT EVERY 203.2 [8.0] INCHES.
- ② PRODUCT MARKED .400 - .150/ 10.16mm - 3.81mm WITH 6.35 [.25] HIGH CHARACTERS USING WHITE INK LOCATED ALONG THIS SURFACE. REPEATED EVERY 203.2 [8.0] INCHES.
- ③ WEIGHT PER LINEAR FOOT: 13.6 GRAMS/ .03 POUNDS.

|   |  |
|---|--|
| 304.8 ±4.8 [12.00 ±.19]   | 53700-5  |
| 25.40 ±3.30 [1.00 ±.19]   | 53700-4  |
| 7696.2 - 7620.0 [303 - 300]   | 53700-2  |
| 1244.60 - 1219.20 [49.00 - 48.00]   | 53700-1  |
| DIM A   | PART NO  |
| DO NOT SCALE PRINT. UNLESS SPECIFIED DIMENSIONS IN mm [INCHES] TOLERANCES ON:<br>2 PLC DEC ± -<br>3 PLC DEC ± -<br>ANGLES ± - | DR 1-21-94<br>W CHANDLER<br>CHK 1-26-94<br>D.KAAT<br>APPD 2-1-94<br>D KAAT<br>APPD -<br>PRODUCT SPEC -<br>APPLICATION SPEC -<br>WEIGHT ③ |
| MATERIAL<br>BLACK POLYOLEFIN  | AMP AMP Incorporated<br>Harrisburg, PA 17105-3608  |
| FINISH<br>-   | NAME<br>AMPSULATION HWP31, HST WITHOUT SEALANT .400 INCHES DIAMETER  |
|   | SIZE B CAGE CODE 00779 DRAWING NO C-53700  |
|   | SCALE NTS SHEET 1 OF 1   |

THIS DRAWING IS A CONTROLLED DOCUMENT FOR AMP INCORPORATED. IT IS SUBJECT TO CHANGE AND THE CONTROLLING ENGINEERING ORGANIZATION SHOULD BE CONTACTED FOR THE LATEST REVISION.