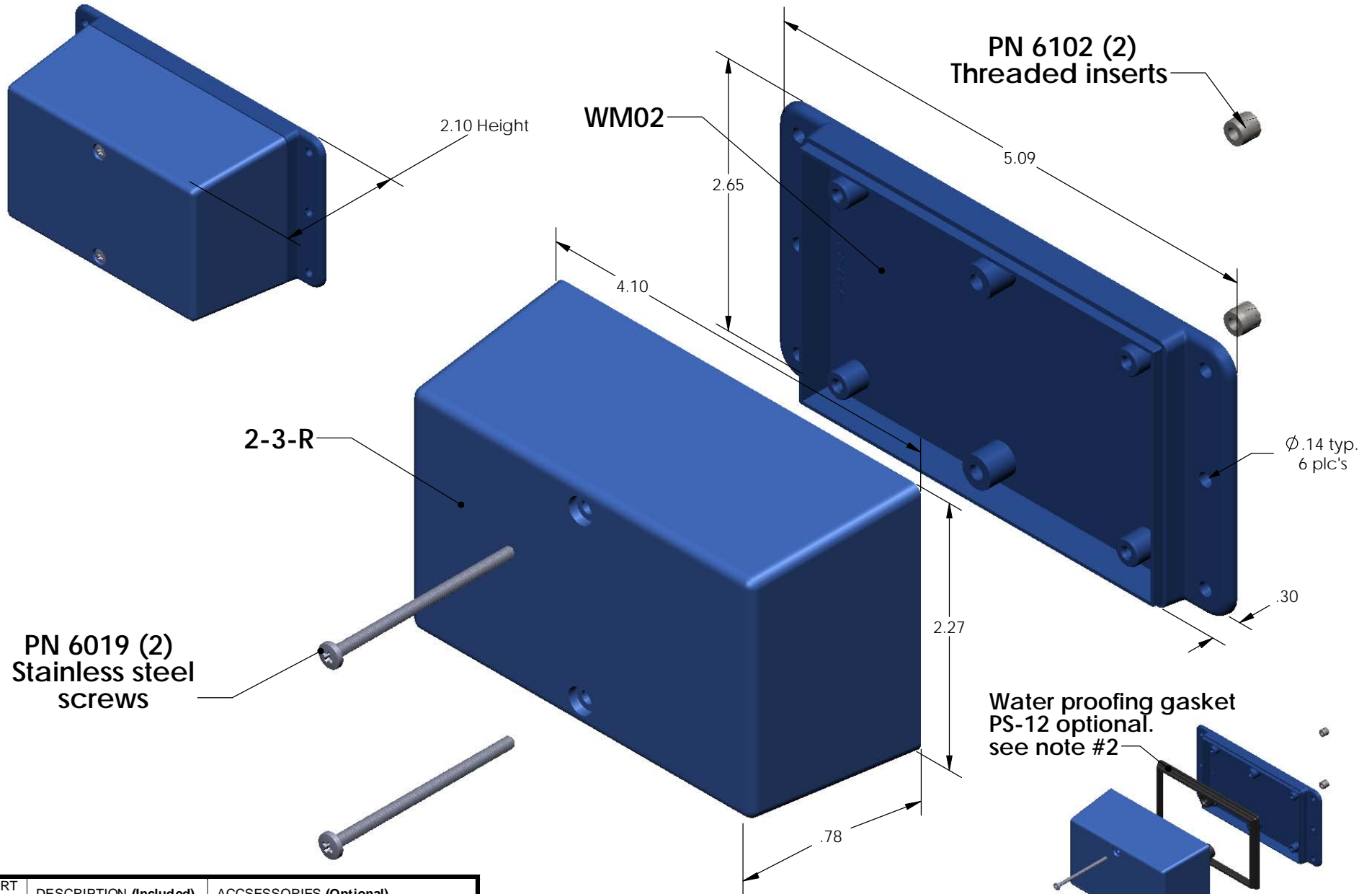


SERPAC WM023-R (exploded isometric)

Electronic Enclosures



| PART NO. | DESCRIPTION (Included) | ACCESSORIES (Optional) | |
|----------|------------------------|------------------------|----------------|
| 2-3-R | TOP | PART NO. | DESCRIPTION |
| WM02 | BOTTOM | PS-12 | Perimeter Seal |
| 6019 | 4-40 SCREW (2) | | |
| 6102 | THREADED INSERTS (2) | | |

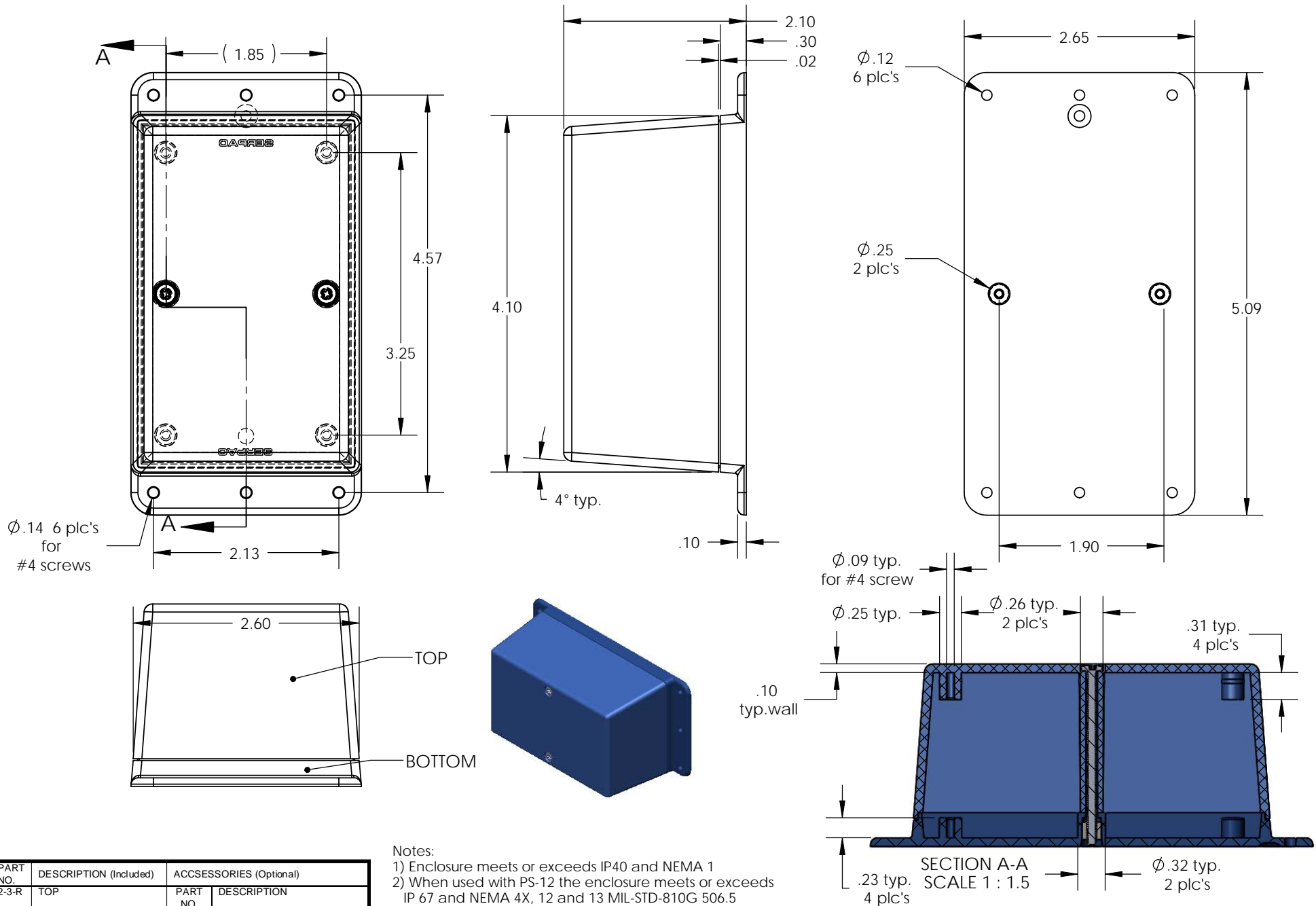
Notes:

- 1) Enclosure meets or exceeds IP40 and NEMA 1
- 2) When used with PS-12 the enclosure meets or exceeds IP 67 and NEMA 4X, 12 and 13 MIL-STD-810G 506.5
- 3) Circuit Board drawings can be download at:
http://www.serpac.com/Products/Accessories/CircuitBoard/drawings/CB_WM023.pdf
- 4) All components are RoHS Compliant.

ALL DIMENSIONS ARE ±.010" 5/28/09 (1 of 2)
619 Commercial Ave. Covina, CA 91723
Ph. (626) 331-0517 Fx. (626) 331-8584 serpac.com

SERPAC WM023-R (user print)

Electronic Enclosures



Notes:

- 1) Enclosure meets or exceeds IP40 and NEMA 1
- 2) When used with PS-12 the enclosure meets or exceeds IP 67 and NEMA 4X, 12 and 13 MIL-STD-810G 506.5
- 3) Circuit Board drawings can be download at: http://www.serpac.com/Products/Accessories/CircuitBoard/drawings/CB_WM023.pdf
- 4) All components are RoHS Compliant.

| PART NO. | DESCRIPTION (Included) | ACCESSORIES (Optional) | |
|----------|------------------------|------------------------|----------------|
| 2-3-R | TOP | PART NO. | DESCRIPTION |
| WM02 | BOTTOM | PS-12 | Perimeter Seal |
| 6019 | 4-40 SCREW (2) | | |
| 6102 | THREADED INSERTS (2) | | |

SECTION A-A
SCALE 1 : 1.5